



70V Commercial Outdoor Speaker

Model No: WL-SPKR-OF-20W-70V


Description

The 70V Commercial Outdoor Speaker works with a Wahsega Zone Controller and Commercial Audio Power Amplifier to enable large area coverage of broadcast audio.

This outdoor speaker is robust and weatherproof, providing crystal clear audio broadcast announcements in extreme weather conditions. Speaker angle can be set specifically for your application.

Key Features

- Connects to the Commercial Audio Power Amplifier
- 1W and 20W 70V transformer taps
- Weatherproof housing: IP65
- Simple installation with bracket
- Simple 1W or 20W Connection

Job Name:	Date:	Location:
Notes:		


Model No: WL-SPKR-OF-20W-70V

Specifications

- Standard 70V Analog Audio
- Power Input: 1W and 20W transformer taps
- Nominal Frequency response: 200Hz – 12kHz
- Speaker Sensitivity: 106dB 375hz – 8kHz +-5dB 1W/1M
- Peak output: 120dB @ 1M
- Speaker Distortion: < 0.3% 375Hz – 10kHz 1W/1M
- Temperature Range: -40°C to +60°C
- FCC Class A
- Weight: 8.2 lb
- Dimensions: 17.08" W x 13.03" H x 14.96" D with mounting bracket
- UV-Resistant ASA plastic – [UL Certified E108538](#)
- Warranty: 3 years limited

Compatibility

Connect to 100 Watt Commercial Audio Power Amplifier (70V)
(WL-ROEM-AMP-70V-100W)

Job Name:	Date:	Location:
Notes:		

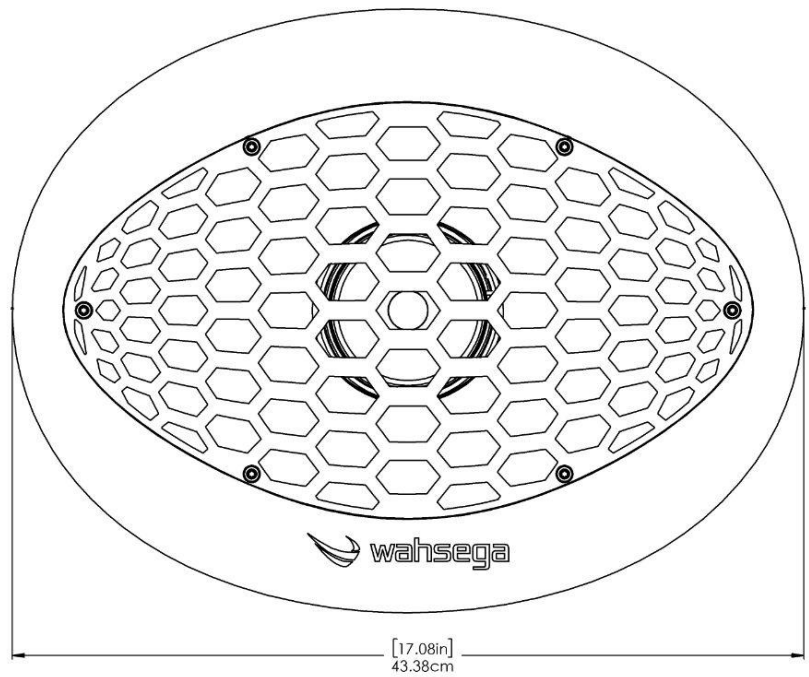
70V Commercial Outdoor Speaker

Specification Submittal

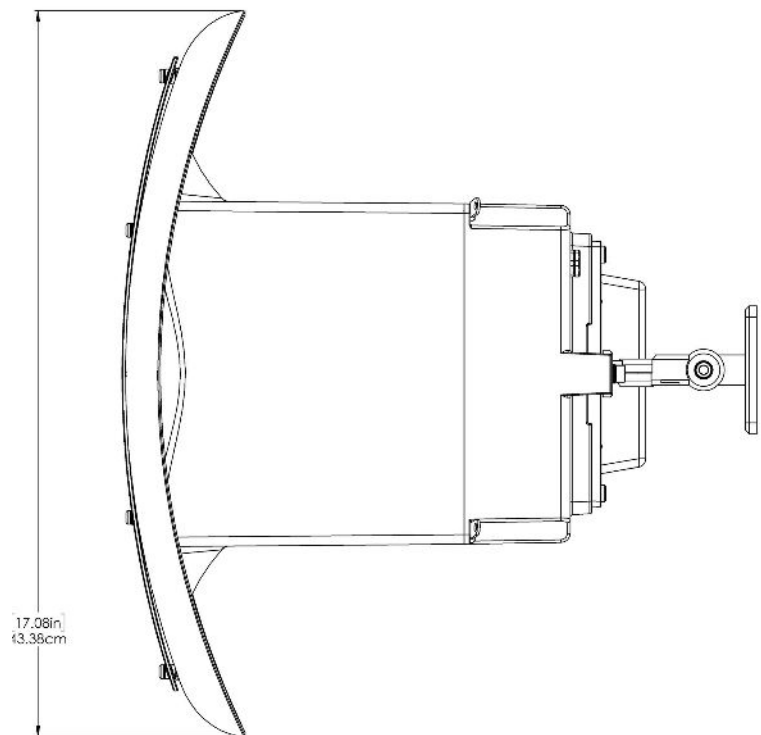
Model No: WL-SPKR-OF-20W-70V

Dimensions

Front View



Top View



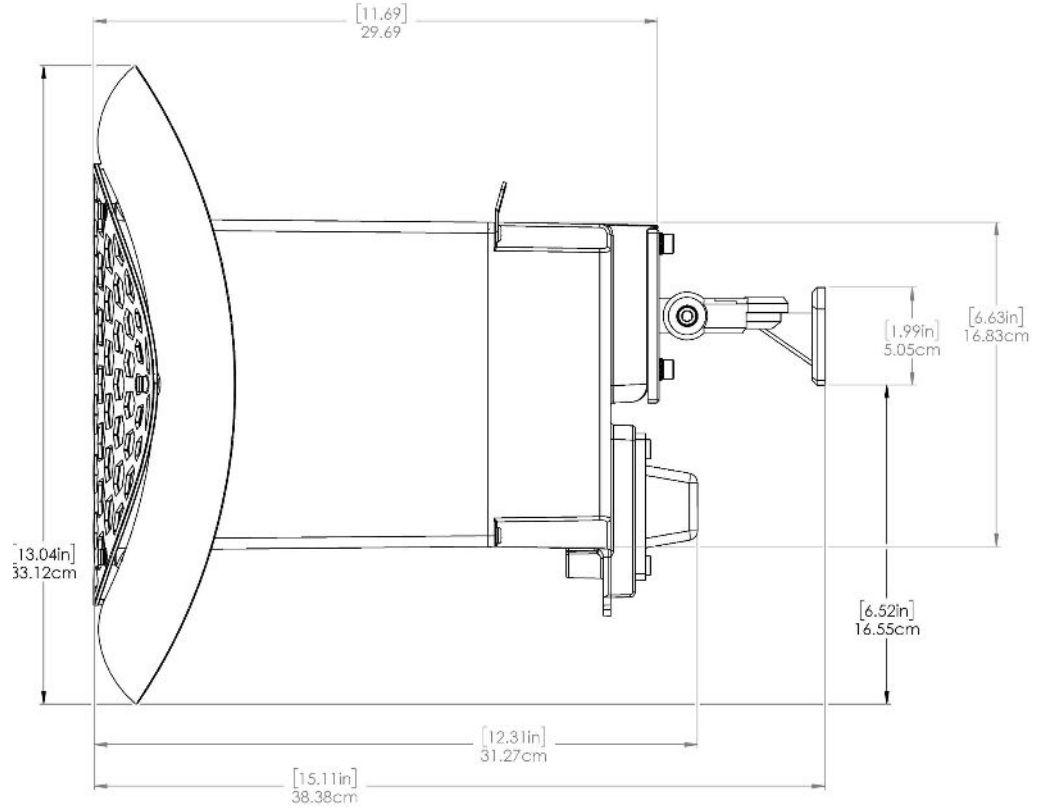
70V Commercial Outdoor Speaker

Specification Submittal

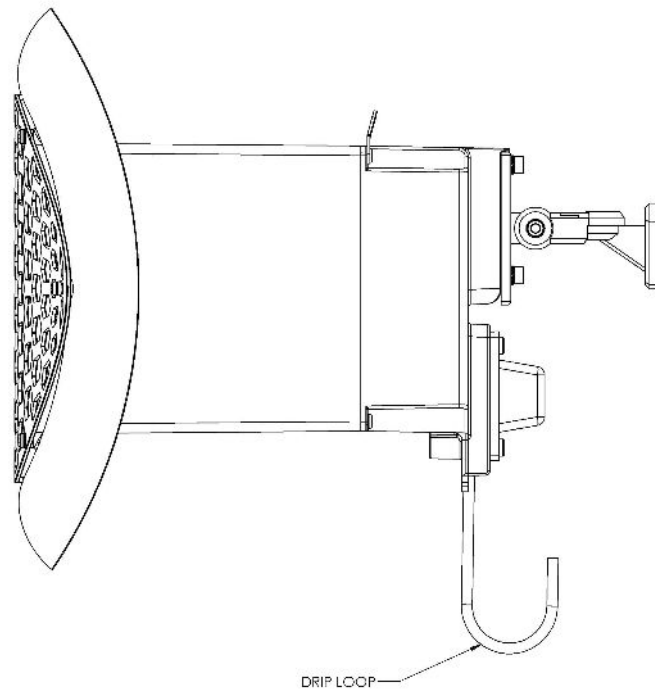
Model No: WL-SPKR-OF-20W-70V

Dimensions

Side View



Drip Loop



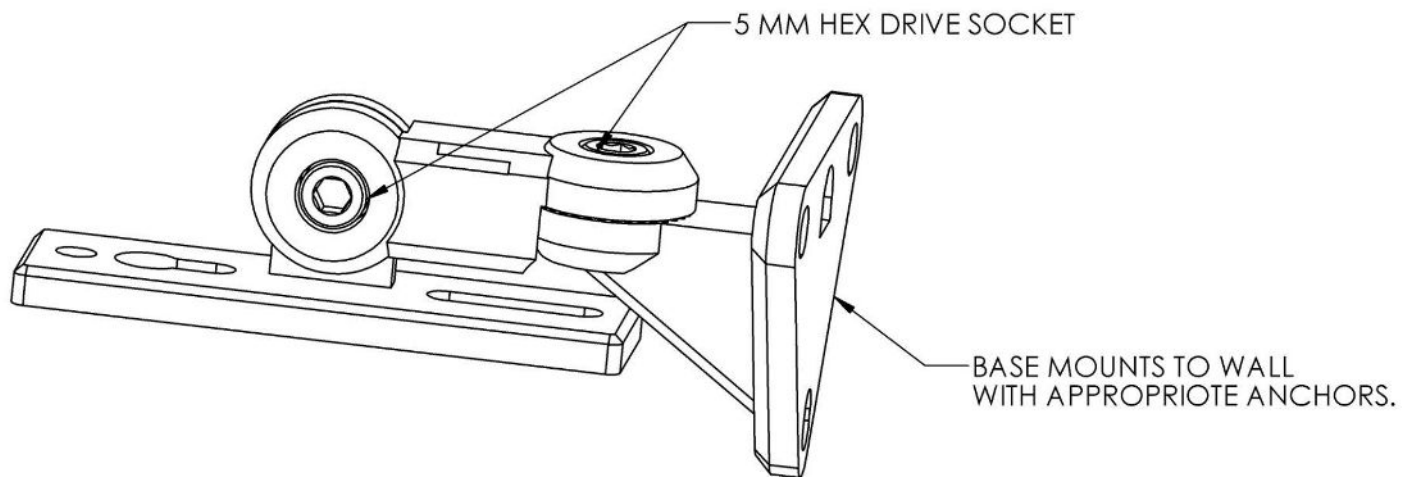
70V Commercial Outdoor Speaker

Model No: WL-SPKR-OF-20W-70V

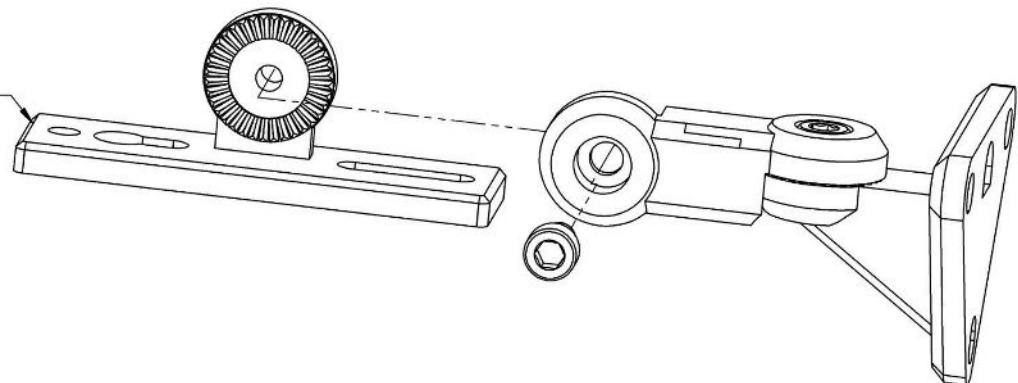
Installation


Fully adjustable, steel surface-mount wall bracket and hardware for mounting speaker to bracket are included. Install at three connection points, using anchors appropriate for your wall surface. Toggle style anchors to be used on mounting surfaces which have a maximum of [0.5"] 12 mm thickness. Wedge style or expansion style anchors should be used for hard surfaces such as concrete, cement, bricks, etc. Fasteners used for mounting must have a [0.25 in] 6 mm thread size. Anchors used must be rated for a minimum of [30 lbs] 15KG load.

LOOSEN SCREWS TO SET ANGLE



REMOVE MOUNTING PLATE PRIOR TO INSTALLING MOUNTING BRACKET ON WALL



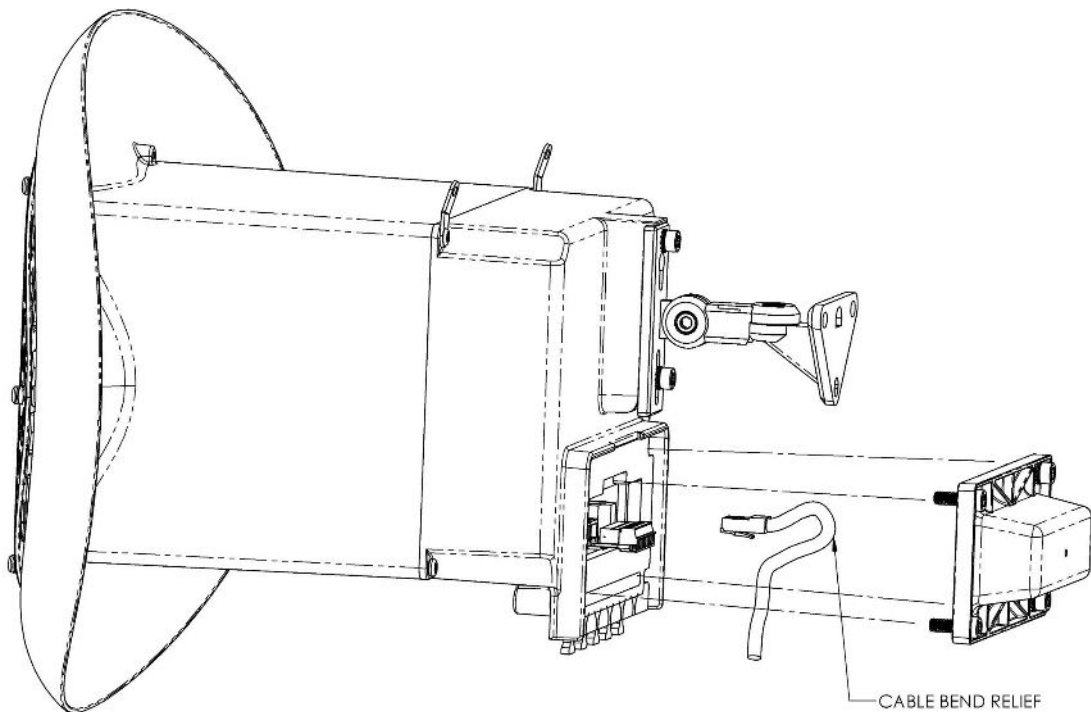
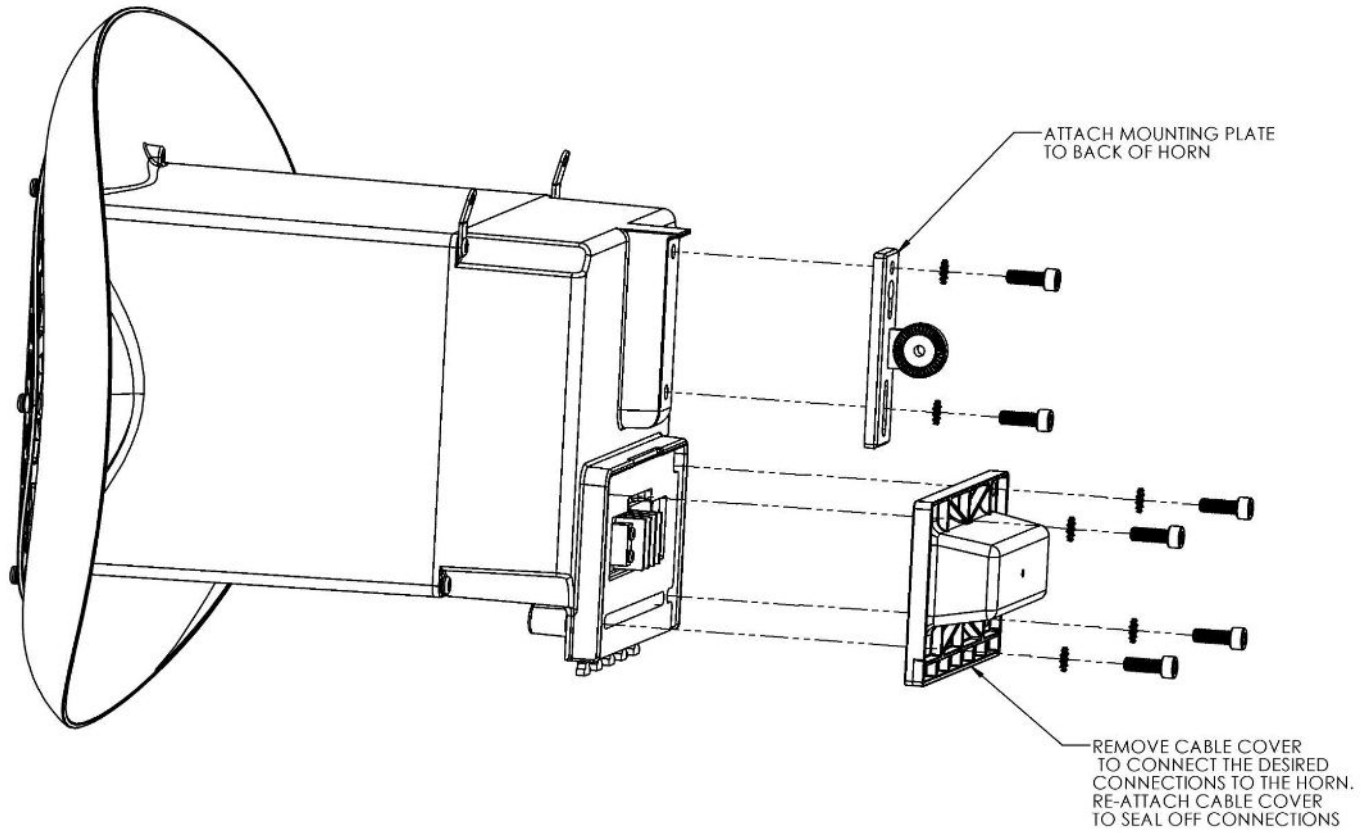
Job Name:	Date:	Location:
Notes:		

70V Commercial Outdoor Speaker

Specification Submittal

Model No: WL-SPKR-OF-20W-70V

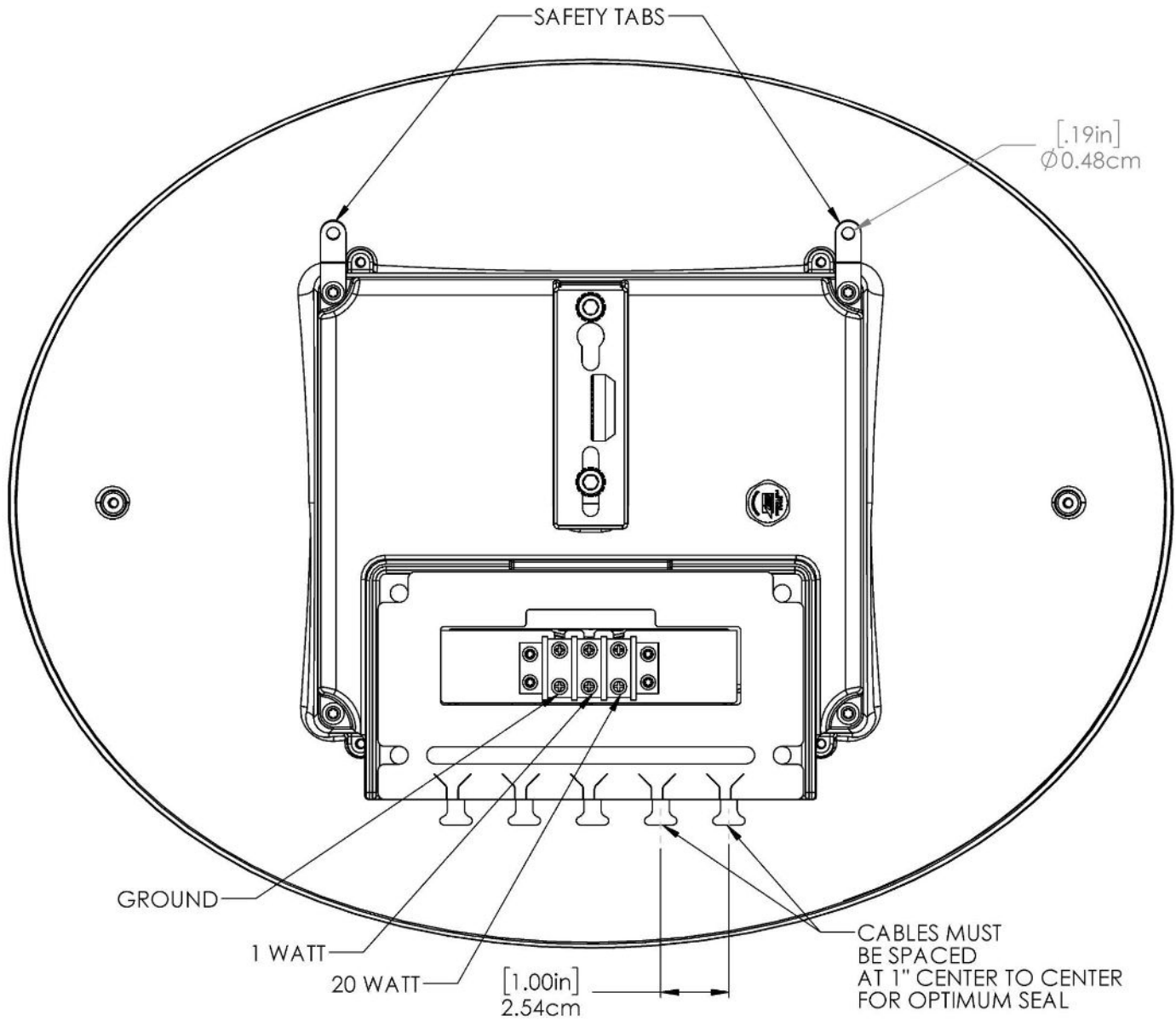
Installation (continued)




70V Commercial Outdoor Speaker

Specification Submittal

Model No: WL-SPKR-OF-20W-70V



Job Name:	Date:	Location:
Notes:		

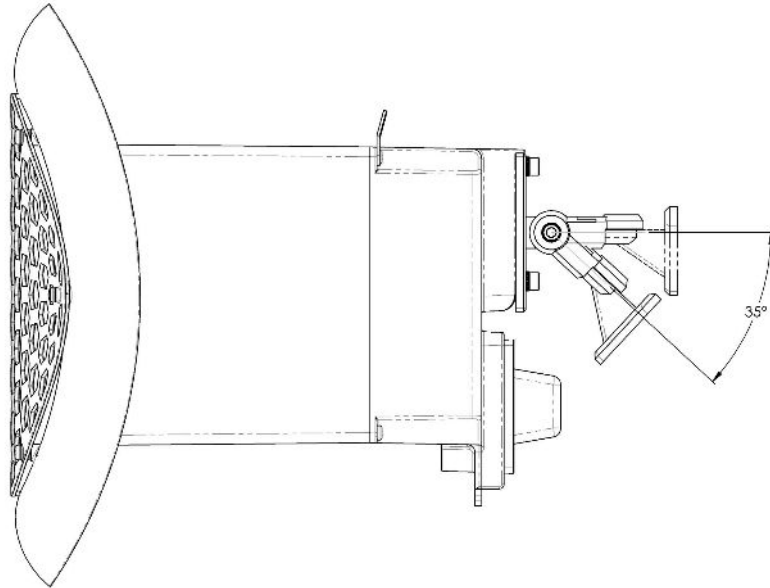
70V Commercial Outdoor Speaker

Specification Submittal

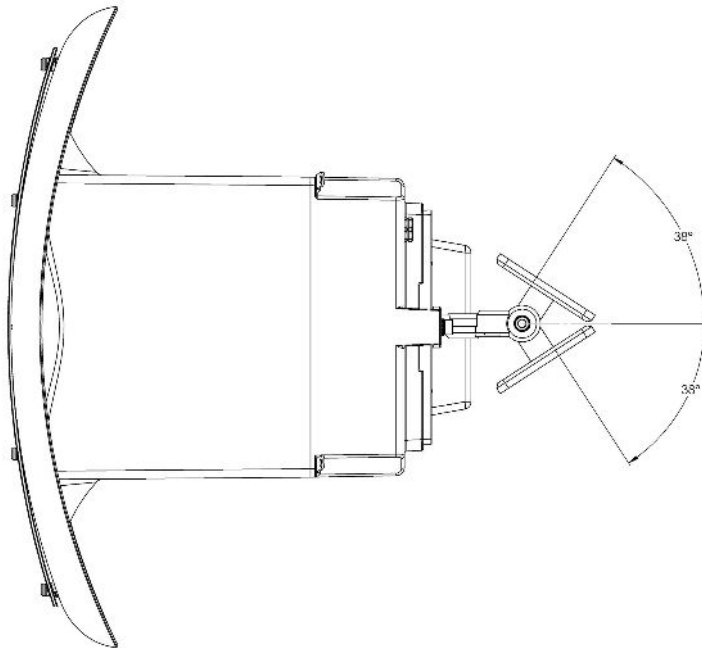
Model No: WL-SPKR-OF-20W-70V

Angle Range

Side View



Top View



Job Name:

Date:

Location:

Notes:

