



Carina Radio Controller

Model No: WL-RAD-CTR-CAR

Description

The **Carina Radio Controller (CRC)** bridges communications between VoIP phone systems and radios in a facility.

Desk Phone to Radio: Dial an extension on your desk phone to reach a radio on the production floor.


Radio to Desk Phone: Press a shortcut key on your radio to call a desk phone in your plant.

Initiate a Pre-Recorded Announcement: Press a shortcut key on your radio to trigger a pre-recorded announcement.

Radio Broadcast: Press a shortcut key on your radio to make a live announcement to the entire facility.

Key Features

- Configure via Carina Event Manager dashboard
- SIP Compliant
- Send and receive audio over commercial radios
- Standard 1U rack mounting
- PoE 802.3af enabled (Power-over-Ethernet)

Job Name:	Date:	Location:
Notes:		

Carina Radio Controller

Model No: WL-RAD-CTR-CAR

Specification Submittal

Specifications

- Ethernet: 10/100 Mbps
- Power Input: PoE 802.3af (or +9V to +16V DC input)
- Protocol: SIP RFC 3261 compatible
- Audio Codecs: 16-bit PCM (uncompressed), u-law (G.711u), a-law (G.711a), G.722, G.729
- Audio Sampling: 8 kHz, 16 kHz, or 32 kHz
- Current Draw: <2W
- Max Cable Length: 100m (per standard)
- Temperature Range: -40°C to +60°C
- Construction: Aluminum extrusion
- Regulatory Compliance: FCC Class B
- Weight: 0.94 lb
- Dimensions: 1.66" H x 4.75" W x 5.30" D
- Warranty: 3 years limited

Installation


- Standard 1U rack mounting
- Connect CRC to radio base with ethernet to radio connection cable (sold separately, compatible with most radio models)

Requires

- Carina Event Manager (WL-EM-CAR)
- Connection cable to radio base

Compatible with

- Connect to Wahsega Roemtech Commercial Audio Power Amplifier (WL-ROEM-AMP-70V-100W)

Job Name:	Date:	Location:
Notes:		

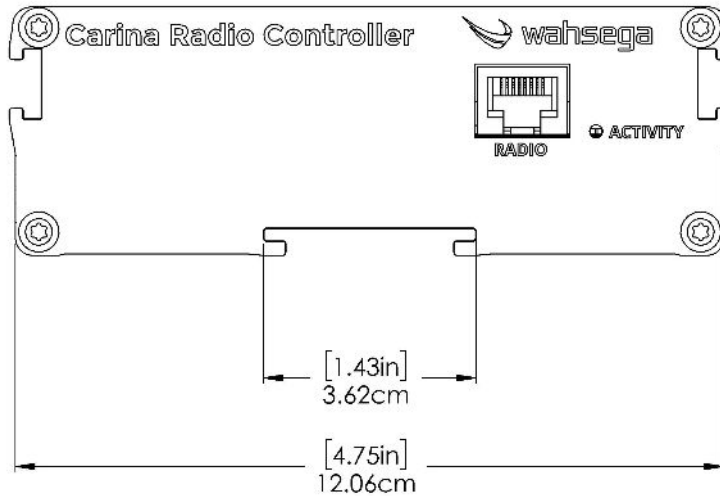
Carina Radio Controller

Model No: WL-RAD-CTR-CAR

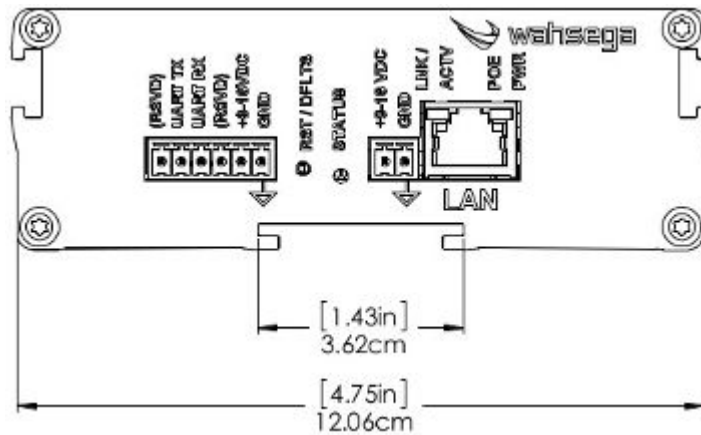
Specification Submittal


Dimensions

Front View



Rear View



Job Name:	Date:	Location:
Notes:		

Carina Radio Controller

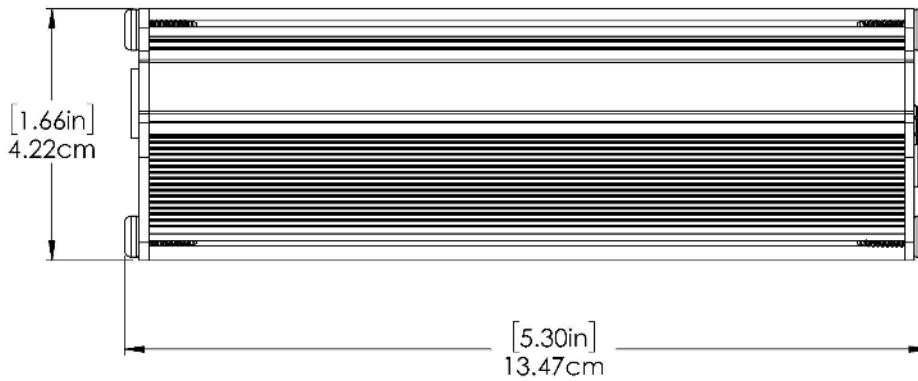
Model No: WL-RAD-CTR-CAR

Specification Submittal

Power

To use Power-over-Ethernet (POE 802.3af), route a Cat 5e or Cat 6 Ethernet cable from a PoE switch or injector to the LAN port.

Side View



Job Name:	Date:	Location:
Notes:		