



Outdoor IP Speaker (Primary)

Model No: WL-SPKR-OF-INF


Description

Wahsega's Outdoor IP Speaker is robust and weatherproof, providing crystal clear audio broadcast announcements in extreme weather conditions. Speaker angle can be set specifically for your application.

Utilizing PoE, this rugged speaker can also power an additional Outdoor Extension Speaker for additional coverage and huge cost savings.

Key Features

- PoE 802.3af enabled (Power-over-Ethernet)
- Weatherproof housing: IP65
- Industry-leading low standby power
- Remote firmware upgradeable
- Simple installation with bracket
- Onboard relay
- Ability to drive second speaker up to 20m away via Cat5e or Cat6
- Configure via InformaCast

Job Name:	Date:	Location:
Notes:		


Model No: WL-SPKR-OF-INF

Specifications

- Ethernet: 10/100 Mbps
- Power Input: PoE (IEEE 802.3af)
- Standby power: < 1 Watt
- Audio Sampling: 8 kHz, 16 kHz, 32 kHz, or 48 kHz
- Dry Contact Relay Rating: 24VAC/30VDC 2A
- Nominal Frequency response: 200Hz – 12kHz
- Speaker Sensitivity: 106dB 375hz – 8kHz +5dB 1W/1M
- Peak output 116dB @ 1M
- Speaker Distortion < 0.3% 375Hz – 10kHz 1W/1M
- Max PoE Cable Length: 100m (per standard) PoE 10/100 cable length
- Max Extension Speaker Cable Length (Cat5e or Cat6): 20m
- Temperature Range: -40°C to +60°C
- FCC Class A
- Weight: 6.8 lbs
- Dimensions: 17.08" W x 13.03" H x 14.96" D with mounting bracket
- UV-Resistant ASA plastic – [UL Certified E108538](#)
- Warranty: 3 years limited

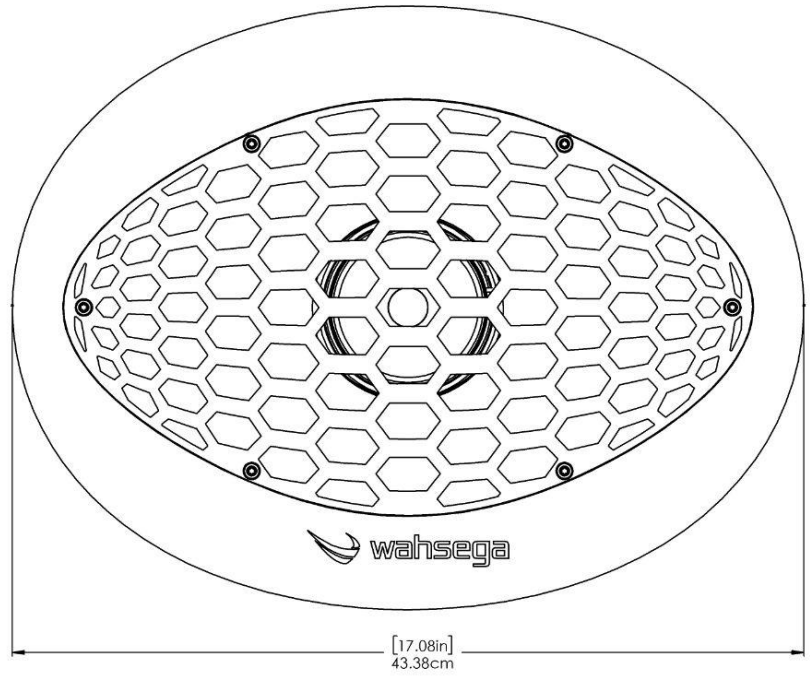
Compatibility

Extend the audio of the Outdoor IP Speaker (Primary) with the Outdoor Extension Speaker (Model Number WL-SPKR-OF-A)

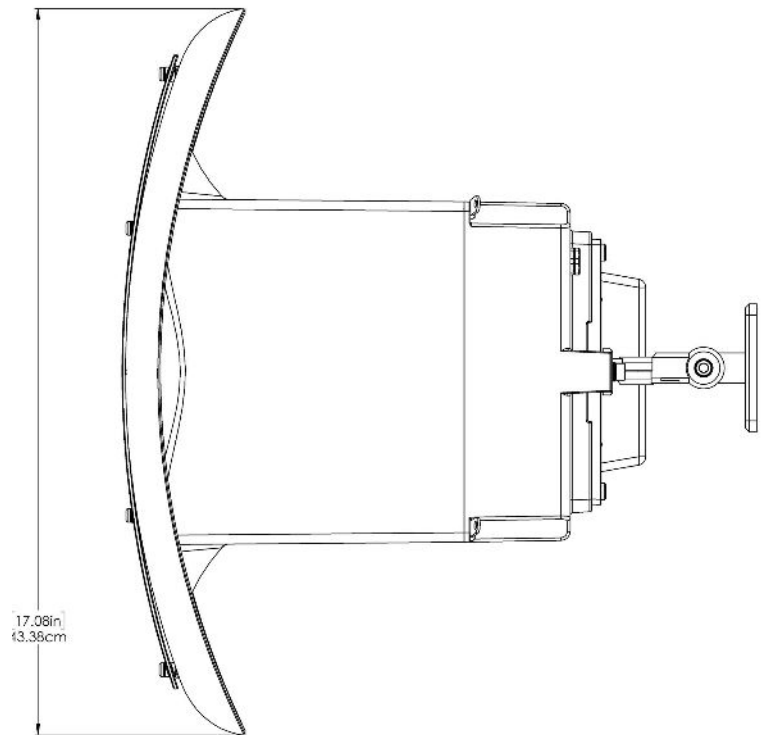
Job Name:	Date:	Location:
Notes:		

Dimensions

Front View

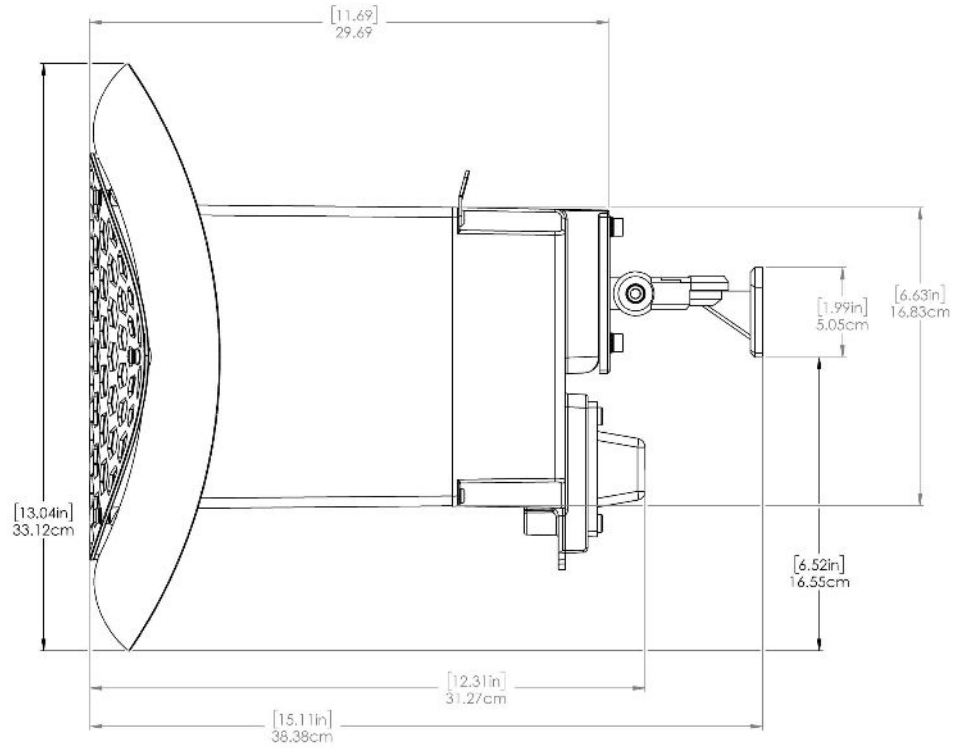


Top View

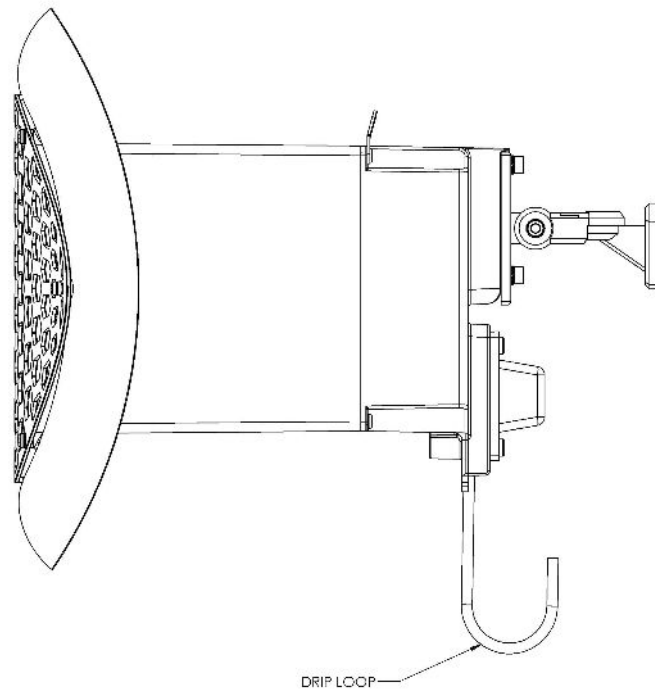


Dimensions

Side View



Drip Loop



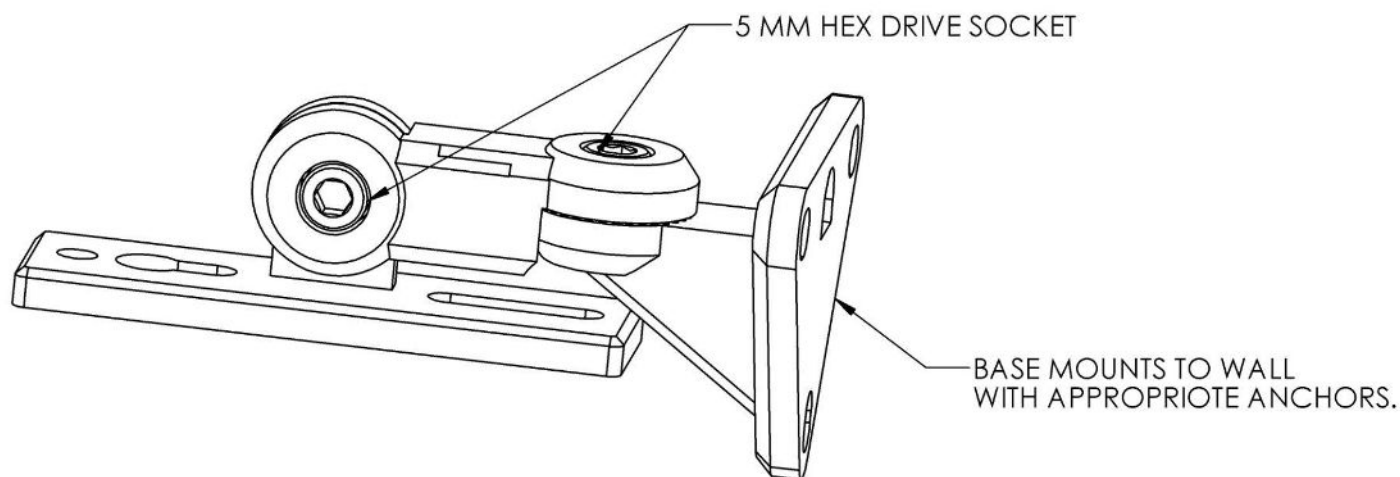
Model No: WL-SPKR-OF-CAR

Installation

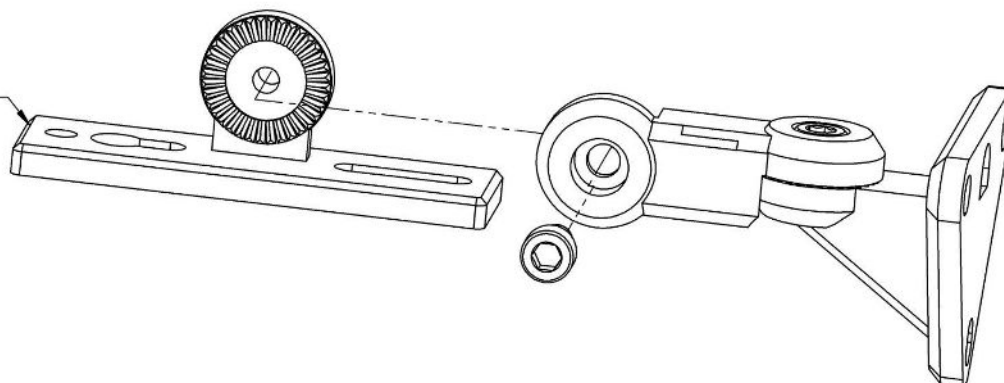
Fully adjustable, steel surface-mount wall bracket and hardware for mounting speaker to bracket are included. Install at three connection points, using anchors appropriate for your wall surface. Toggle style anchors to be used on mounting surfaces which have a maximum of [0.5"] 12 mm thickness. Wedge style or expansion style anchors should be used for hard surfaces such as concrete, cement, bricks, etc. Fasteners used for mounting must have a [0.25 in] 6 mm thread size. Anchors used must be rated for a minimum of [30 lbs] 15KG load.


Power-over-Ethernet (PoE) 802.3af power supplied via Cat5e or Cat6 cabling.

LOOSEN SCREWS TO SET ANGLE

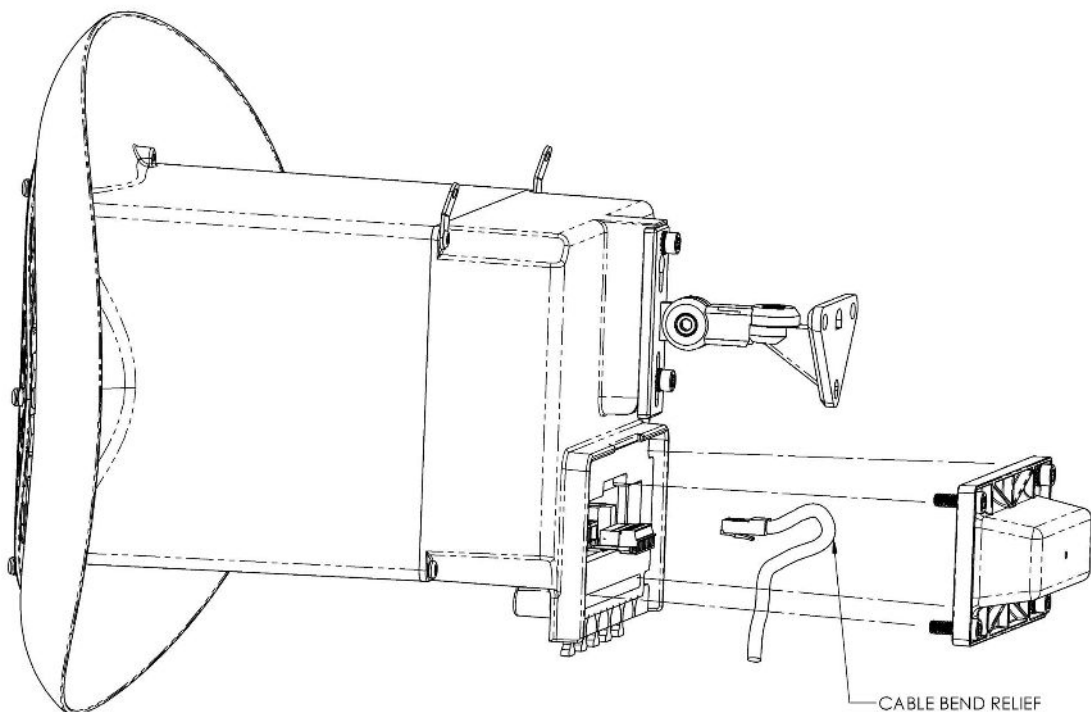
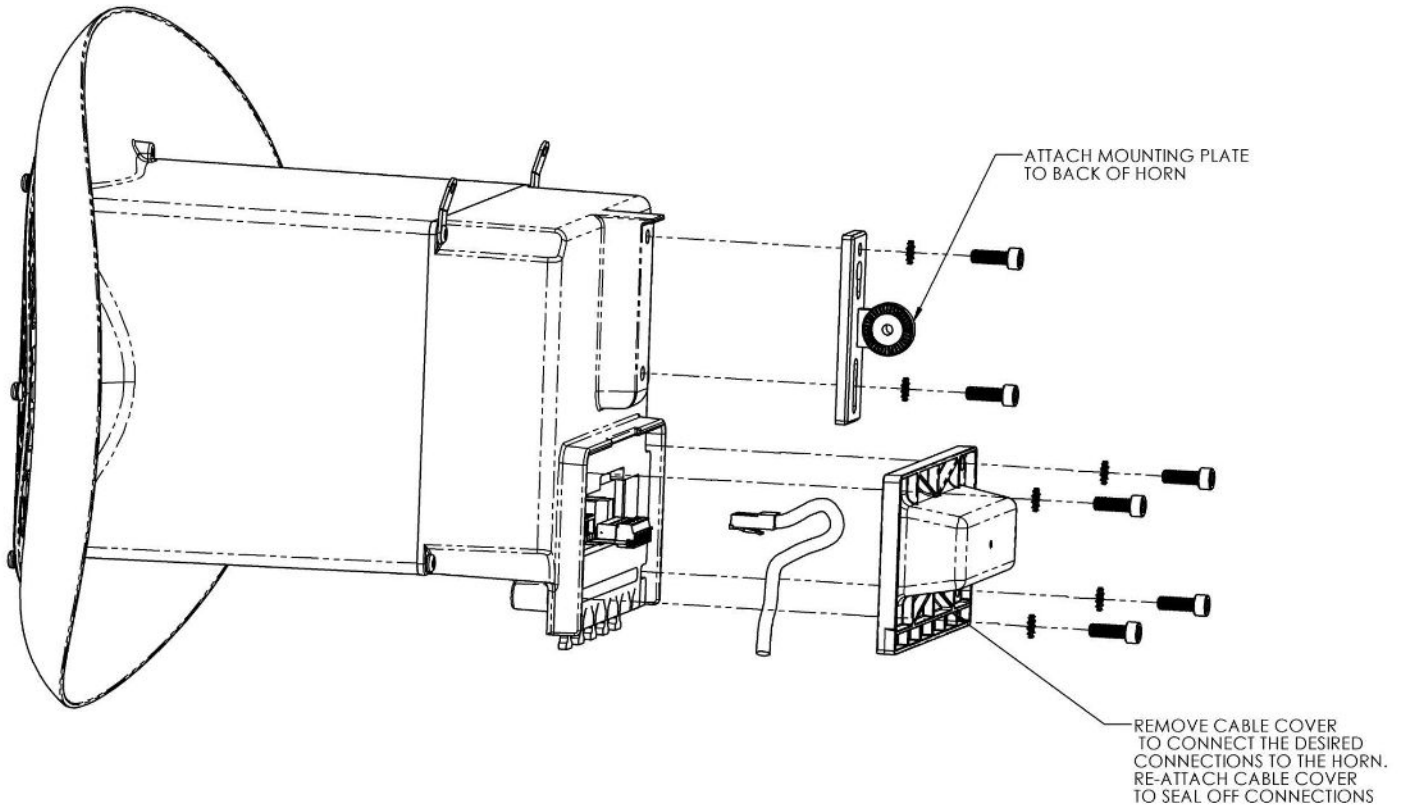


REMOVE MOUNTING PLATE PRIOR TO INSTALLING MOUNTING BRACKET ON WALL

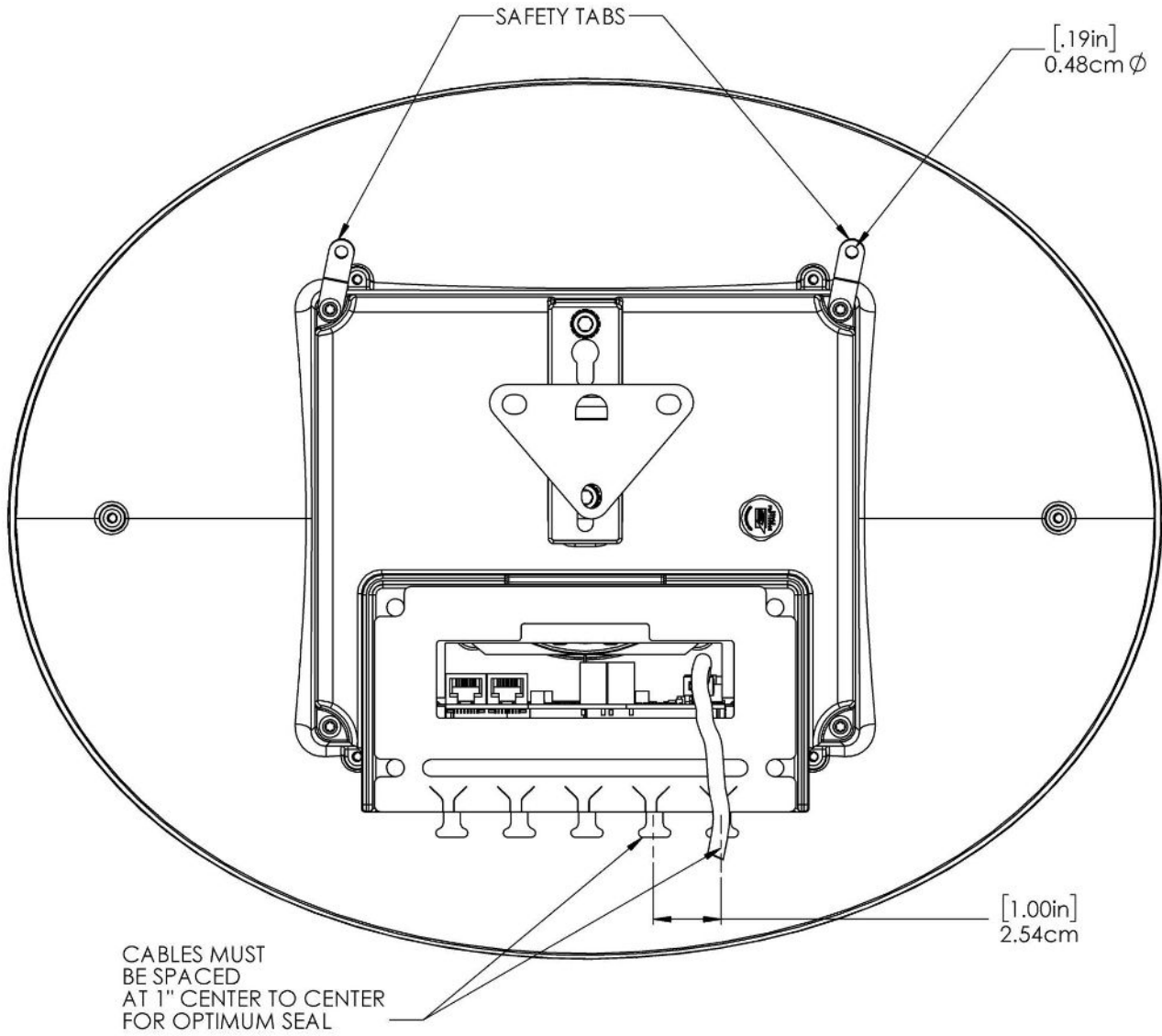



Job Name:	Date:	Location:
Notes:		

Installation (continued)



Installation (continued)



Job Name:	Date:	Location:
Notes:		

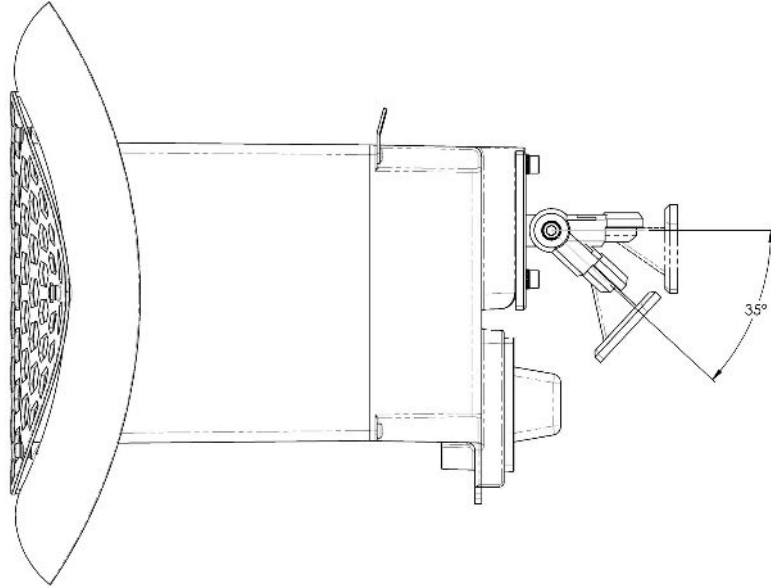
Outdoor IP Speaker

Specification Submittal

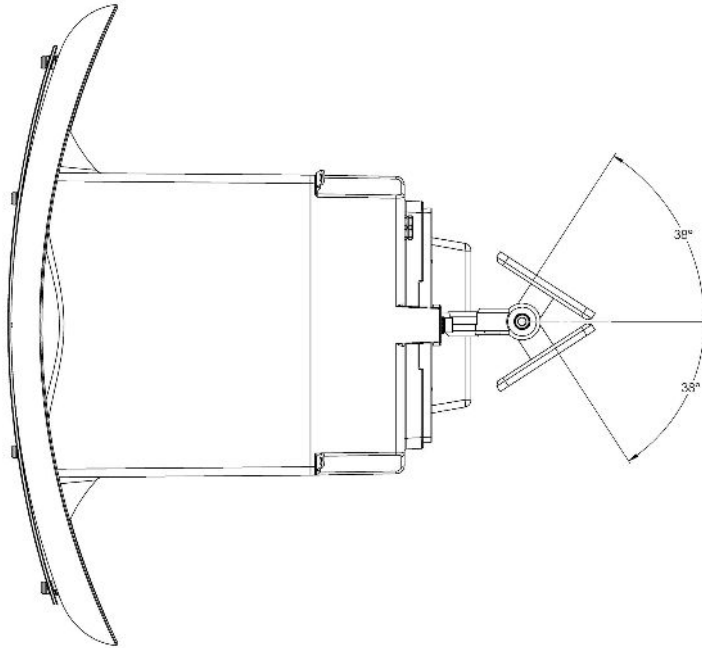
Model No: WL-SPKR-OF-CAR

Angle Range

Side View



Top View



Job Name:

Date:

Location:

Notes:

