



Outdoor Extension Speaker

Model No: WL-SPKR-OF-A


Description

Wahsega's Outdoor Extension Speaker extends audio coverage by connecting to a primary Outdoor IP Speaker (up 20m cable length).

This outdoor speaker is robust and weatherproof, providing crystal clear audio broadcast announcements in extreme weather conditions. Speaker angle can be set specifically for your application.

Key Features

- Connects to a primary speaker (required)
- PoE 802.3af enabled (Power-over-Ethernet)
- Weatherproof housing: IP65
- Industry-leading low standby power
- Remote firmware upgradeable
- Simple installation with bracket
- Onboard relay
- Powered by a primary Outdoor IP Speaker up to 20m away via Cat5e or Cat6

Job Name:	Date:	Location:
Notes:		


Model No: WL-SPKR-OF-A

Specifications

- Ethernet: 10/100 Mbps
- Power Input: PoE (IEEE 802.3af)
- Standby power: <~0 Watts
- Nominal Frequency response: 200Hz – 12kHz
- Speaker Sensitivity: 106dB 375hz – 8kHz +-5dB 1W/1M
- Peak output 116dB @ 1M
- Speaker Distortion < 0.3% 375Hz – 10kHz 1W/1M
- Max Extension Speaker Cable Length (Cat5e or Cat6): 20m
- Temperature Range: -40°C to +60°C
- FCC Class A
- Weight: 6.8 lbs
- Dimensions: 17.08" W x 13.03" H x 14.96" D with mounting bracket
- UV-Resistant ASA plastic – [UL Certified E108538](#)
- Warranty: 3 years limited

Compatibility

Connect to an Outdoor IP Speaker (Primary)
Model Number: WL-SPKR-OF-CAR or WL-SPKR-OF-INF

Job Name:	Date:	Location:
Notes:		

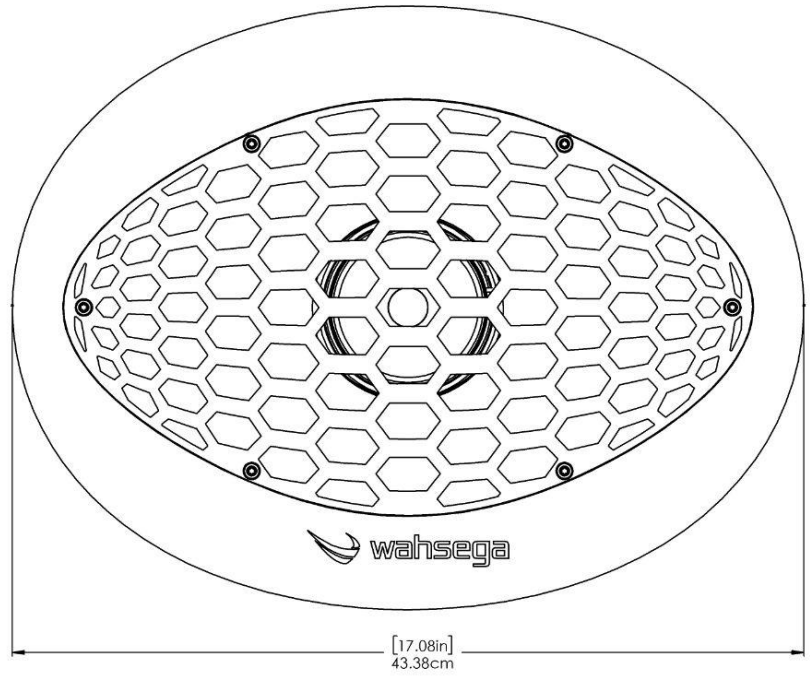
Outdoor IP Speaker

Specification Submittal

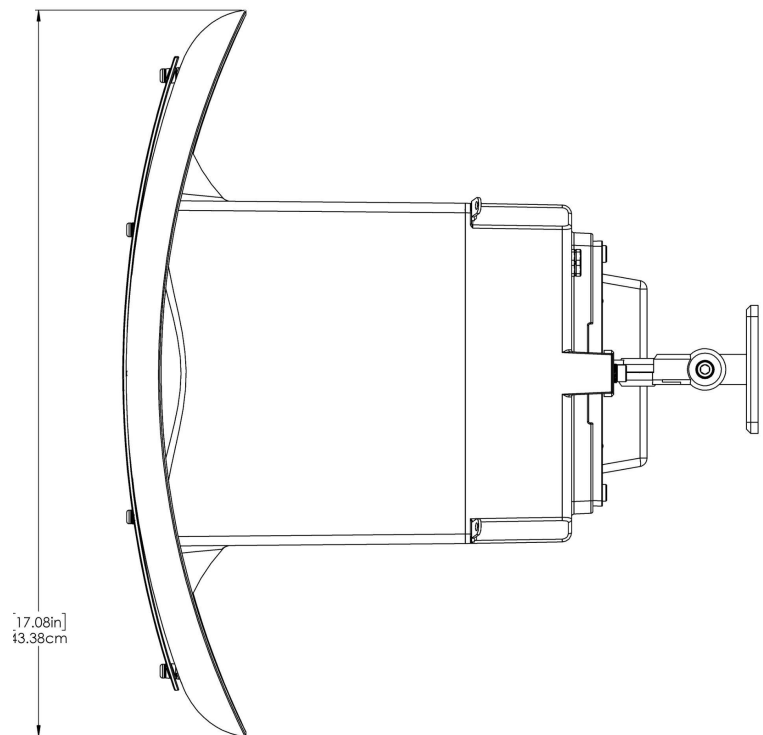
Model No: WL-SPKR-OF-CAR

Dimensions

Front View



Top View



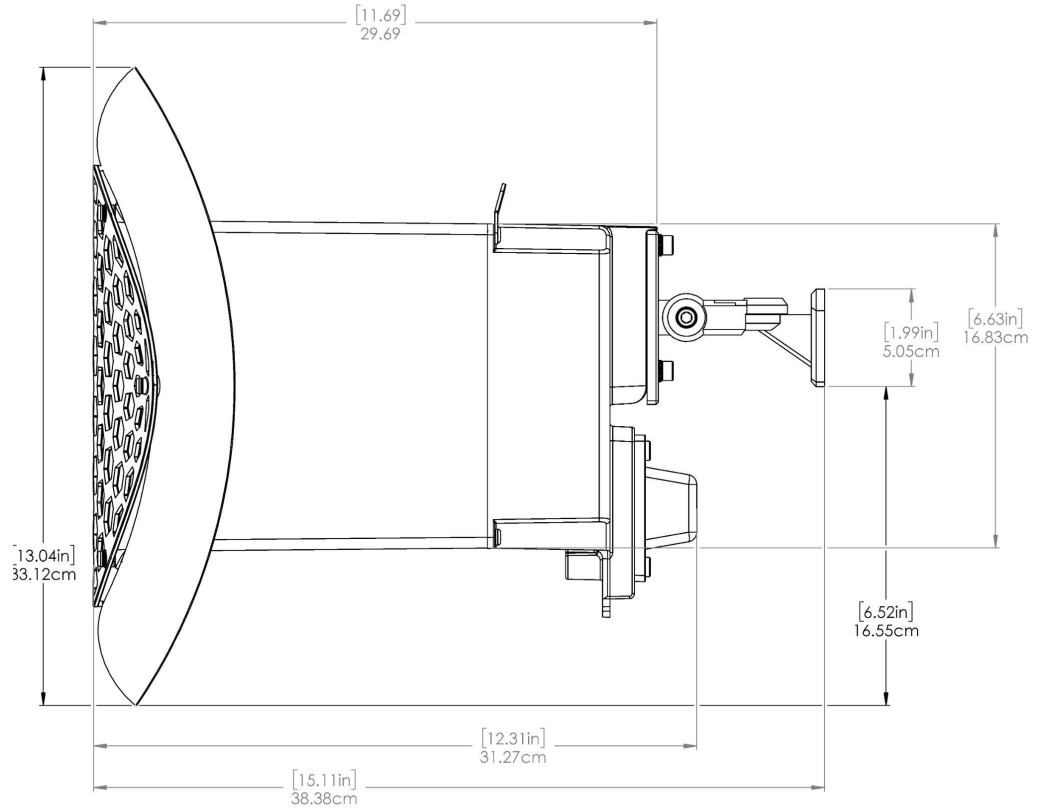
Outdoor IP Speaker

Specification Submittal

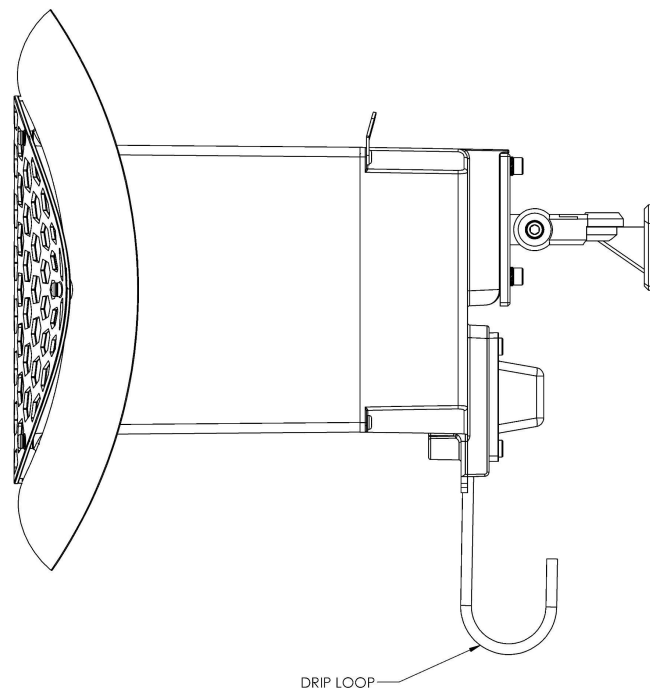
Model No: WL-SPKR-OF-CAR

Dimensions

Side View



Drip Loop

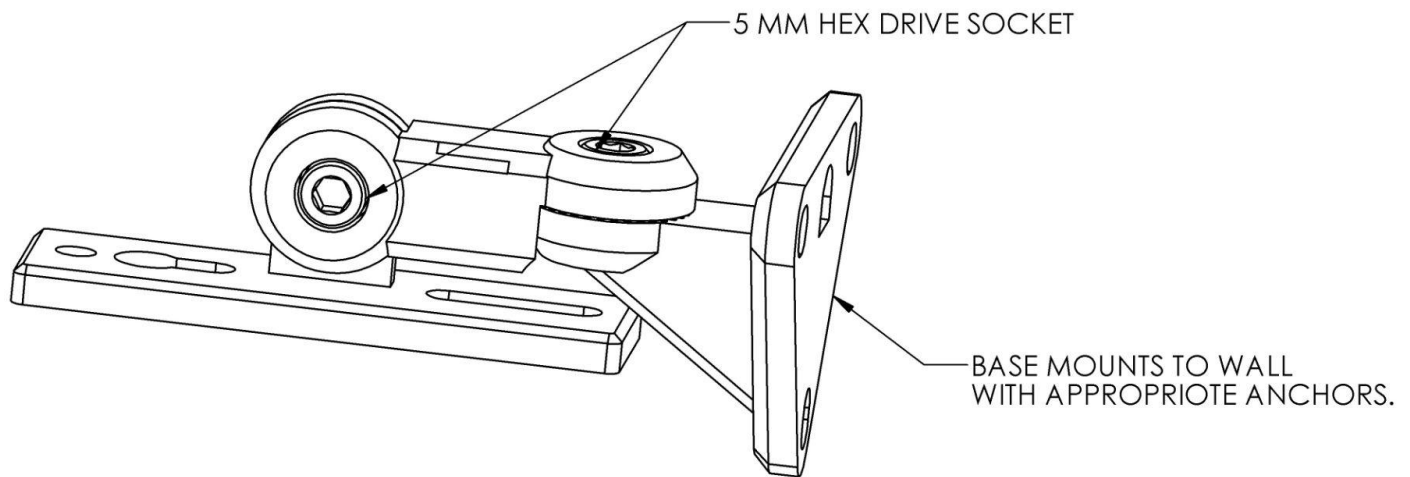


Model No: WL-SPKR-OF-CAR

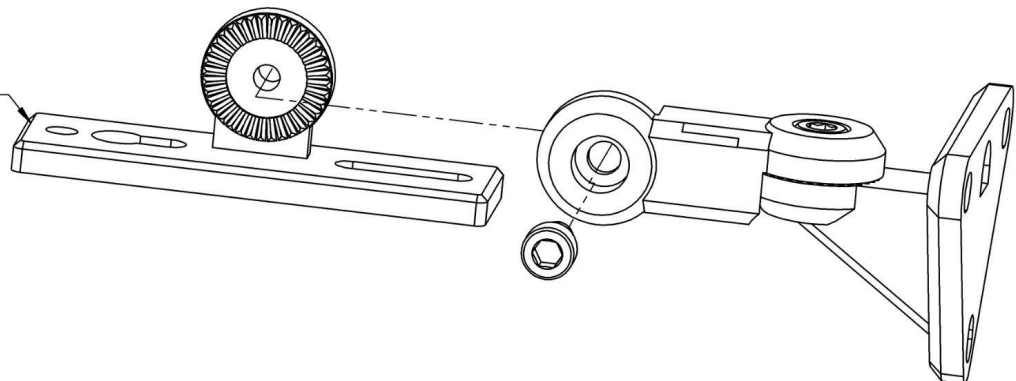
Installation


Fully adjustable, steel surface-mount wall bracket and hardware for mounting speaker to bracket are included. Install at three connection points, using anchors appropriate for your wall surface. Toggle style anchors to be used on mounting surfaces which have a maximum of [0.5"] 12 mm thickness. Wedge style or expansion style anchors should be used for hard surfaces such as concrete, cement, bricks, etc. Fasteners used for mounting must have a [0.25 in] 6 mm thread size. Anchors used must be rated for a minimum of [30 lbs] 15KG load.

LOOSEN SCREWS TO SET ANGLE



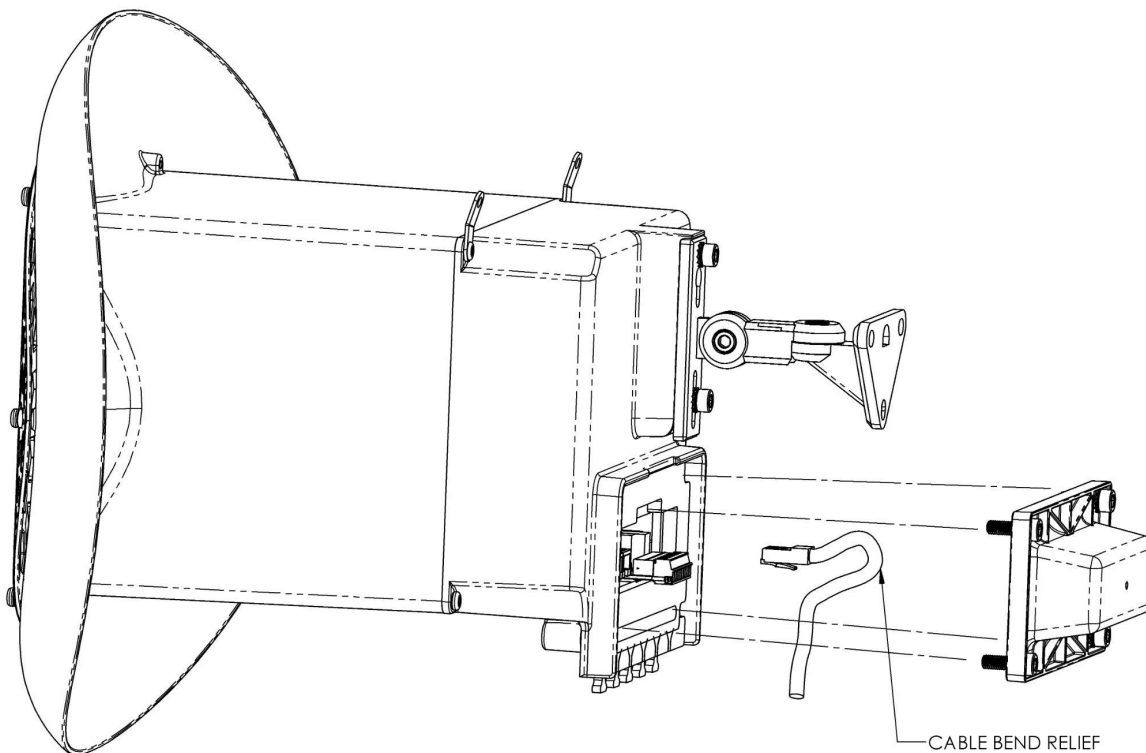
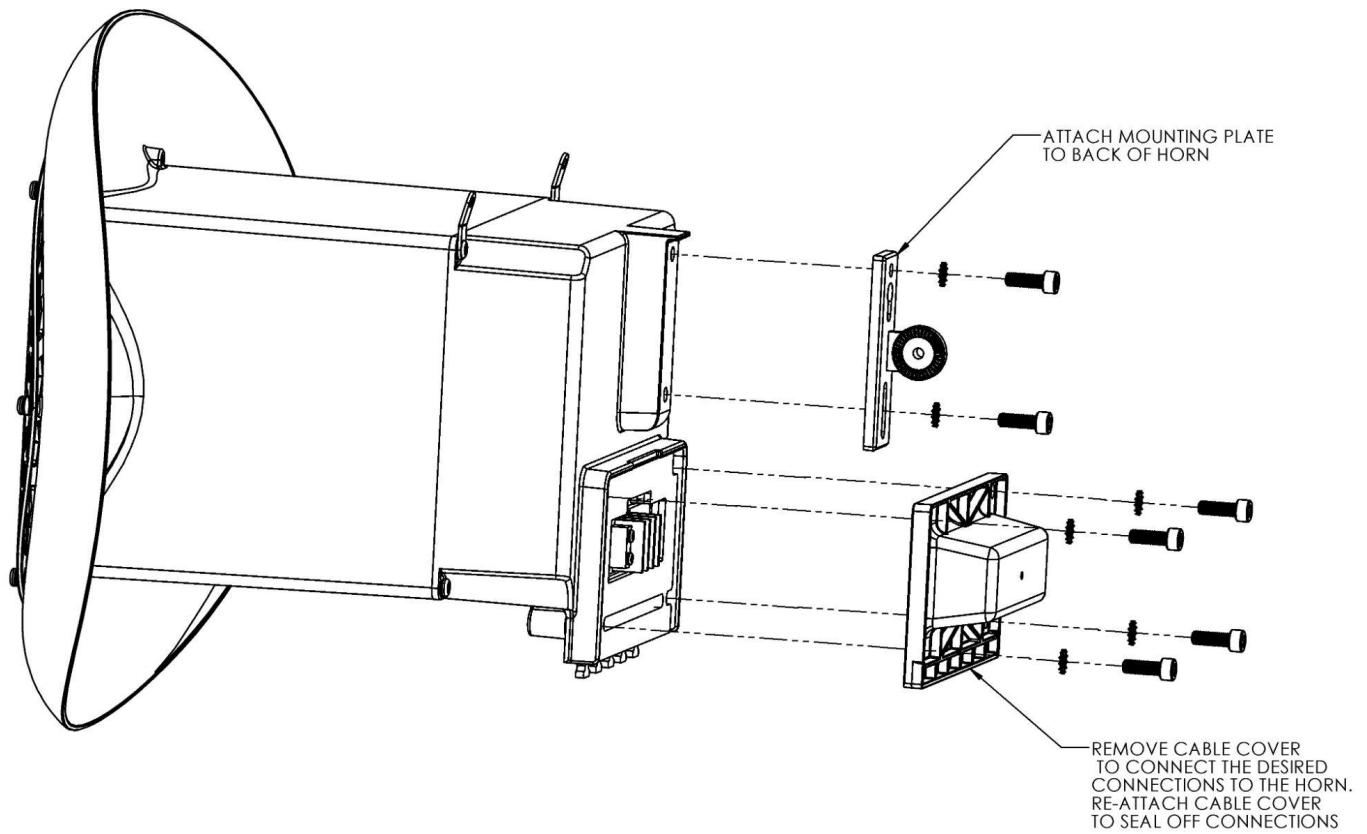
REMOVE MOUNTING PLATE PRIOR TO INSTALLING MOUNTING BRACKET ON WALL



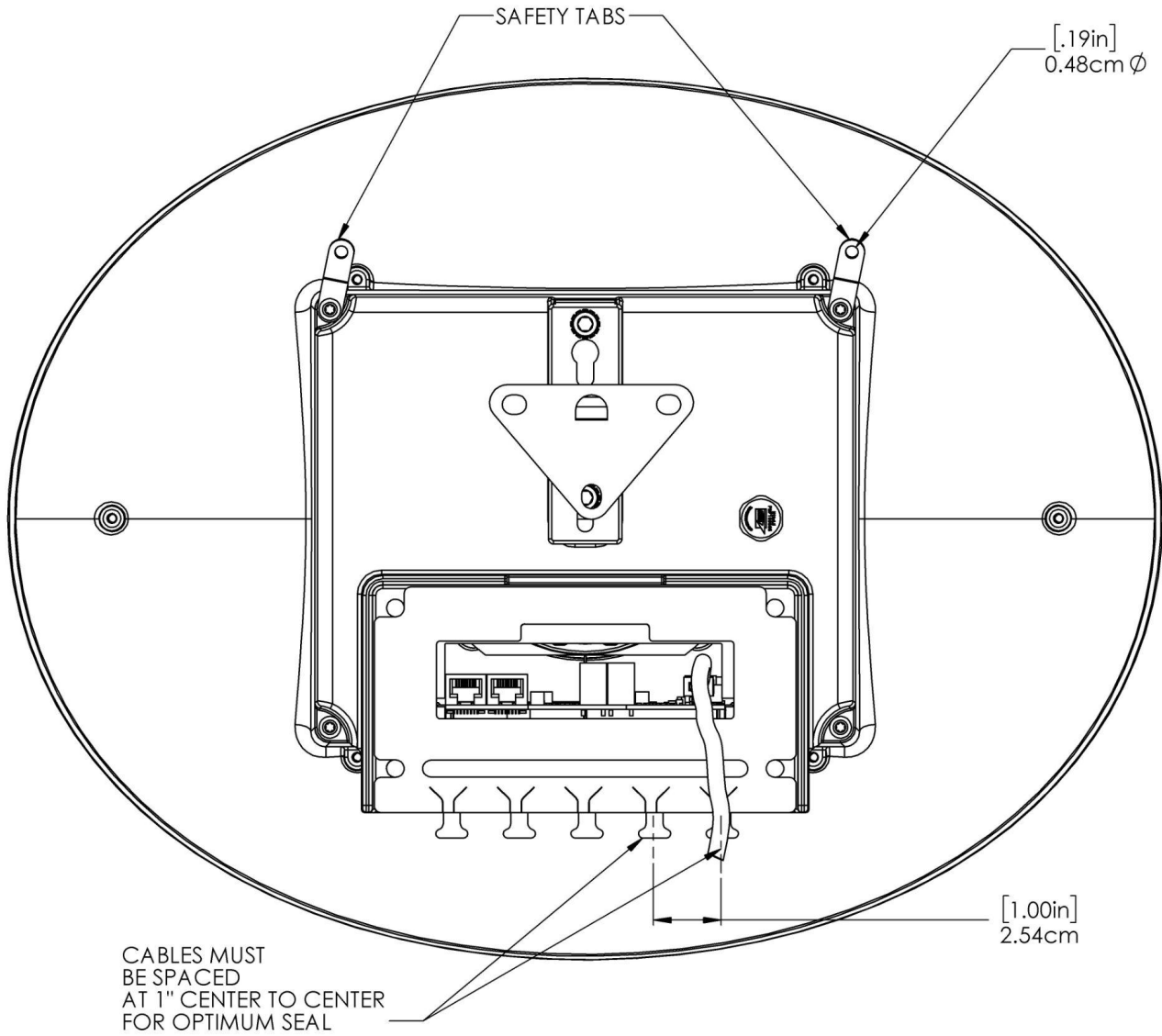
Job Name:	Date:	Location:
Notes:		


Model No: WL-SPKR-OF-CAR

Installation (continued)



Installation (continued)



Job Name:	Date:	Location:
Notes:		

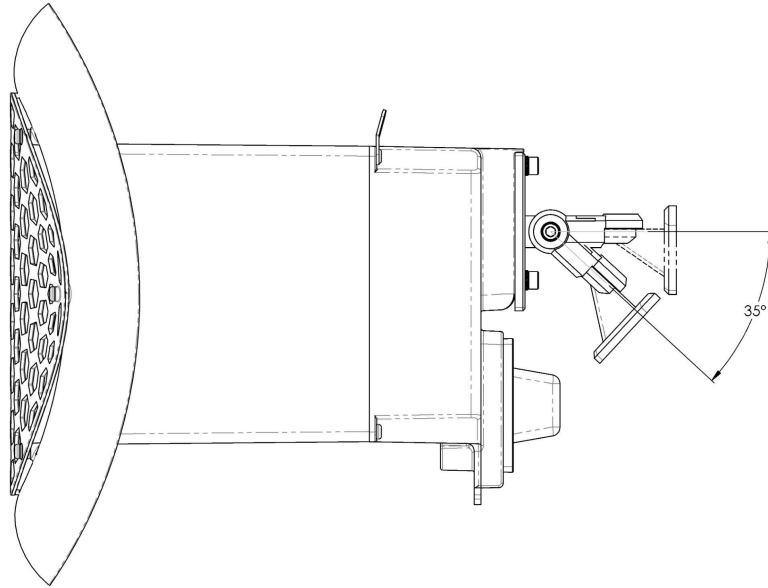
Outdoor IP Speaker

Specification Submittal

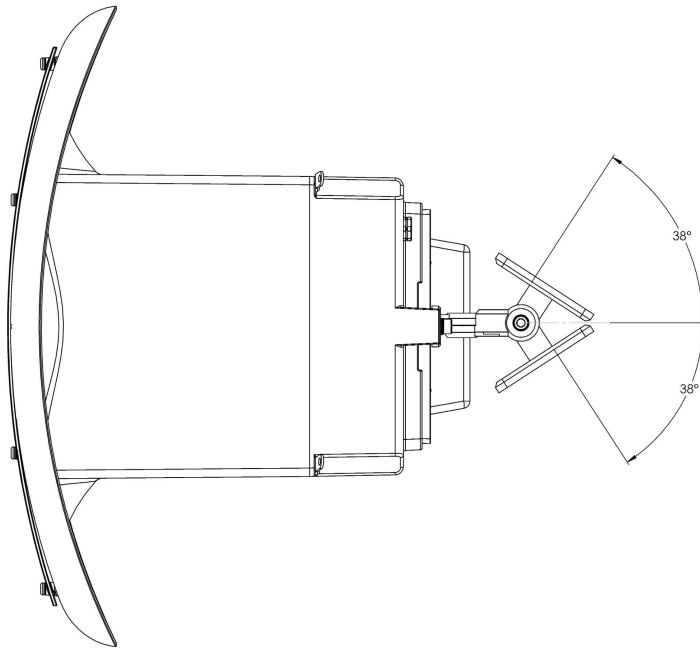
Model No: WL-SPKR-OF-CAR

Angle Range

Side View



Top View



Job Name:	Date:	Location:
Notes:		