



wahsega

Double Sided Wall Mount IP Display with InformaCast®

Installer's Guide



Getting Started

This step-by-step guide will help you install your Wahsega Wall Mount Double Sided IP Display with InformaCast.

What's In the Box

- **Double Sided IP Display with Mounting Bracket**

- **Mounting Hardware**
 - (1) ¼"-20 2" Eye Bolt
 - (1) ¼" Flat Washer

What You Will Need

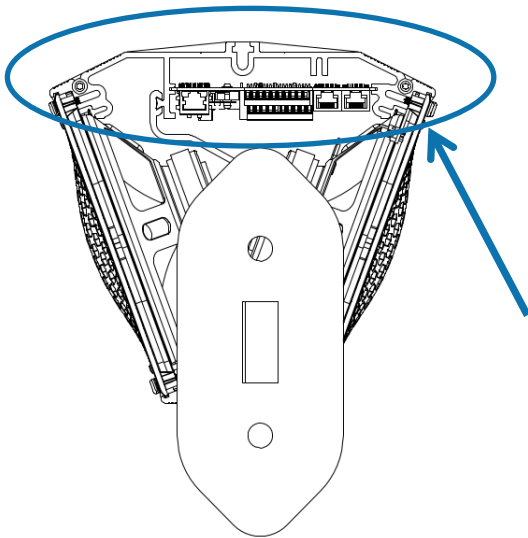
- **PoE power**
 - Standards compliant (IEEE 802.3af) POE switch

- **Remote communication point(s)**
 - Singlewire InformaCast server
 - SIP server (such as Wahsega PICS), if using SIP

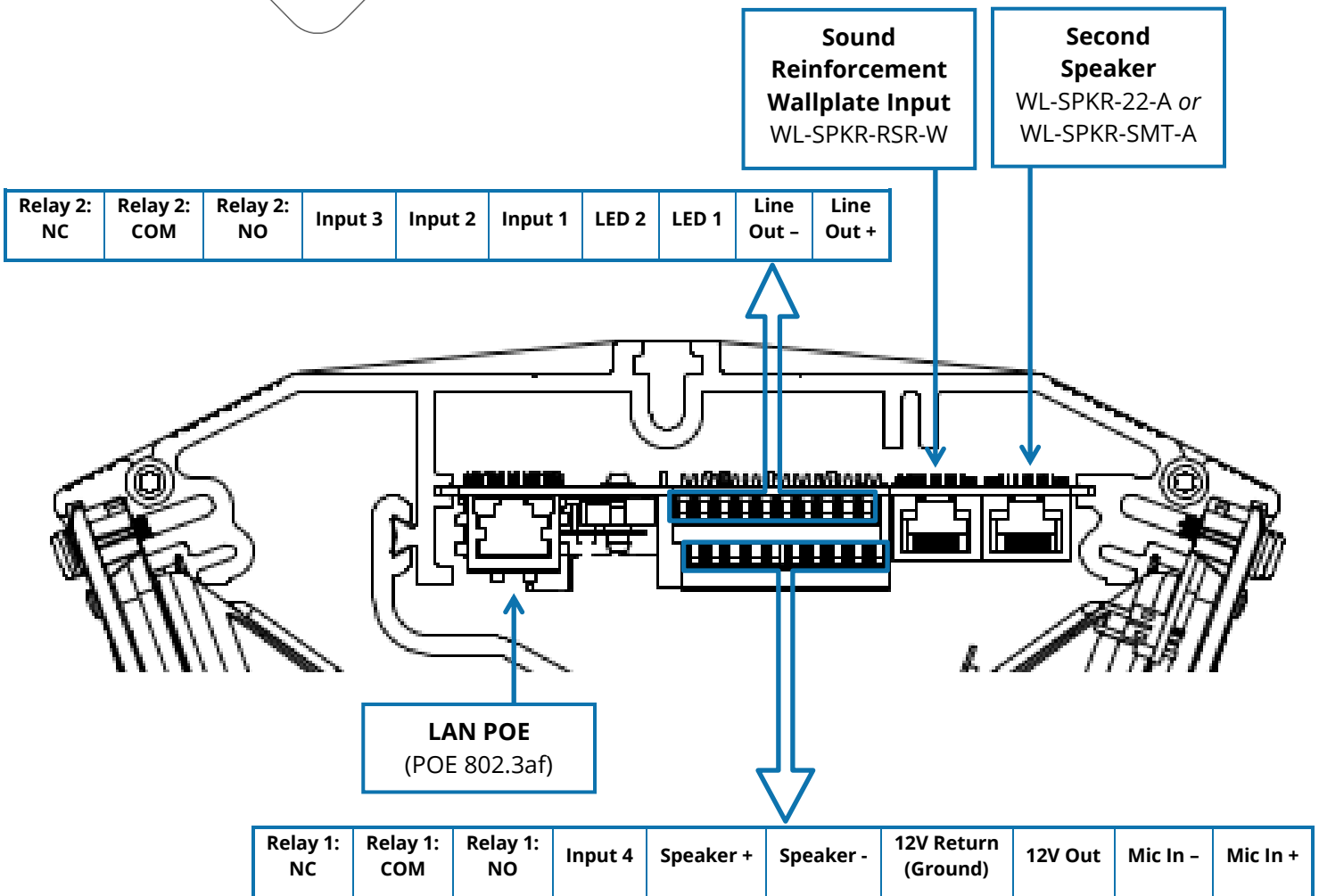
- **Network cable**
 - Cat 5e or Cat 6

- **Screwdrivers**
 - Small flat head screwdriver
 - Phillips head screwdriver

Wiring Your Wahsega IP Display



Enlarged Area



SECOND SPEAKER

Connect to a Wahsega Extension Speaker up to 20m away via Cat5e or Cat6 cable.

- Use a straight cable. Do not use a crossover cable.
- Compatible models: WL-SPKR-22-A or WL-SPKR-SMT-A

WALLPLATE INPUT

Connect to optional Wahsega Sound Reinforcement Input Panel up to 100ft away via Cat5e or Cat6 cable.

- Use a straight cable. Do not use a crossover cable.
- Compatible model: WL-SPKR-RSR-W

TERMINAL BLOCKS

MIC IN +	<i>Unused</i>
MIC IN -	<i>Unused</i>
12 V OUT	Fused, nominal 12V output, max 0.5A. Subject to power capabilities of PoE.
12 V RTN (GND)	Ground
SPKR -	<i>Unused</i>
SPKR +	<i>Unused</i>
INPUT 4	Contact closure to ground (<i>12 V RTN</i>). Connect a Volume Button or SNMP Variable/Trap contact using <i>Input 4</i> and <i>12 V RTN (GND)</i> .
RELAY 1: NO	Isolated dry contact closure. Normally Open.
RELAY 1: COM	Isolated dry contact closure. Common.
RELAY 1: NC	Isolated dry contact closure. Normally Closed.

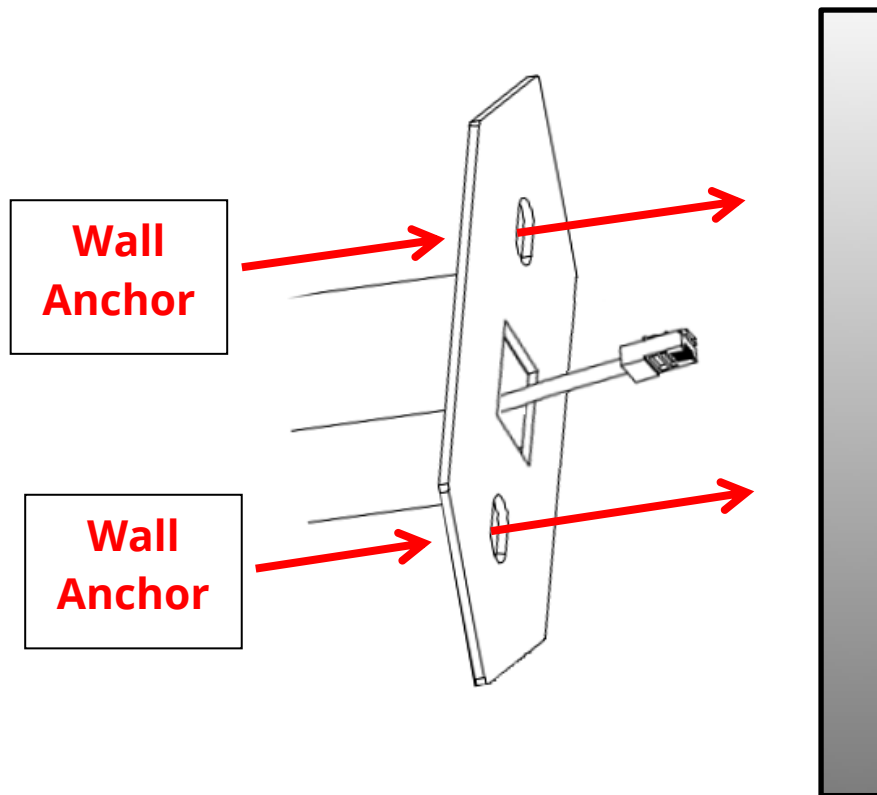
LINE OUT +	Consumer line input level (-10dBV)
LINE OUT -	Consumer line input level (-10dBV)
LED 1	<i>Unused</i>
LED 2	<i>Unused</i>
INPUT 1	Contact closure to ground (12 V RTN). Connect a Panic/Call Button using <i>Input 1</i> and 12 V RTN (GND).
INPUT 2	Contact closure to ground (12 V RTN). Connect a Volume Button or SNMP Variable/Trap contact using <i>Input 2</i> and 12 V RTN (GND).
INPUT 3	Contact closure to ground (12 V RTN). Connect a Volume Button or SNMP Variable/Trap contact using <i>Input 3</i> and 12 V RTN (GND).
RELAY 2: NO	Isolated dry contact closure. Normally Open.
RELAY 2: COM	Isolated dry contact closure. Common.
RELAY 2: NC	Isolated dry contact closure. Normally Closed.

LAN / POE

To use Power-over-Ethernet (PoE 802.3af), route a Cat 5e or Cat 6 Ethernet cable from a PoE switch to the LAN/POE port.

- Once the unit is successfully powered, the LINK/ACTV indicator LED will begin to blink.

Mounting and Installation



Affix mounting bracket to a solid, vertical wall surface using two bolts and anchors appropriate for that surface.

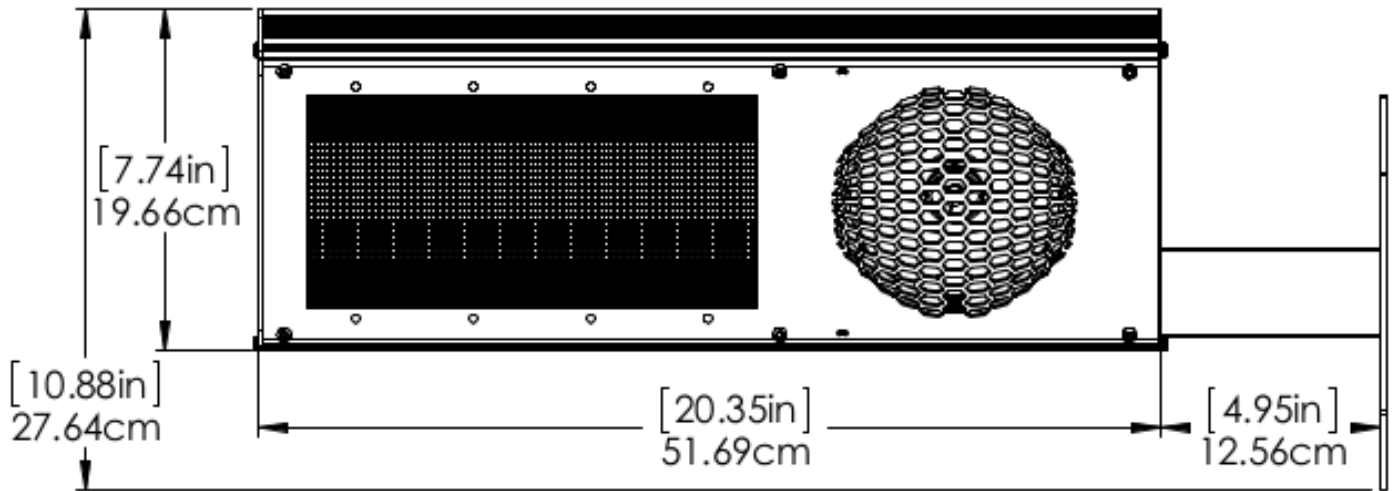
Route cabling through center, rectangular opening.



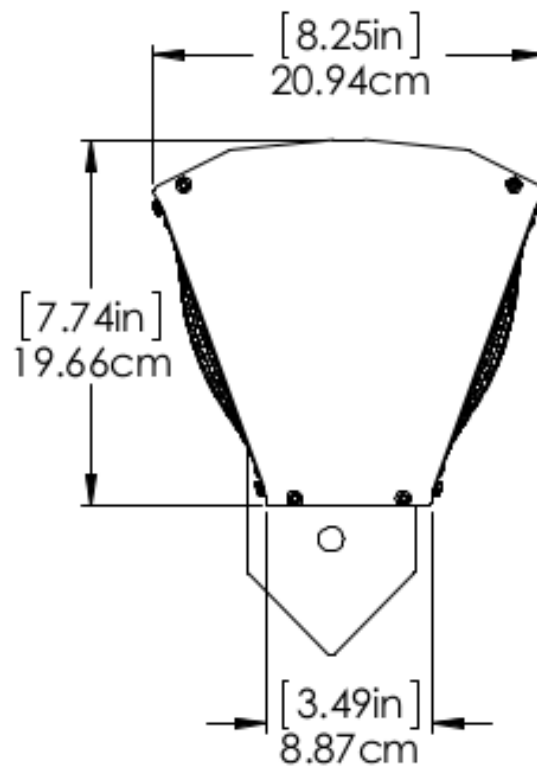
For earthquake cable, affix included eye bolt and flat washer to tee-nut at the far end of the IP Display. Attach cable to eye bolt and secure to structure per local building and electrical codes.

Dimensions

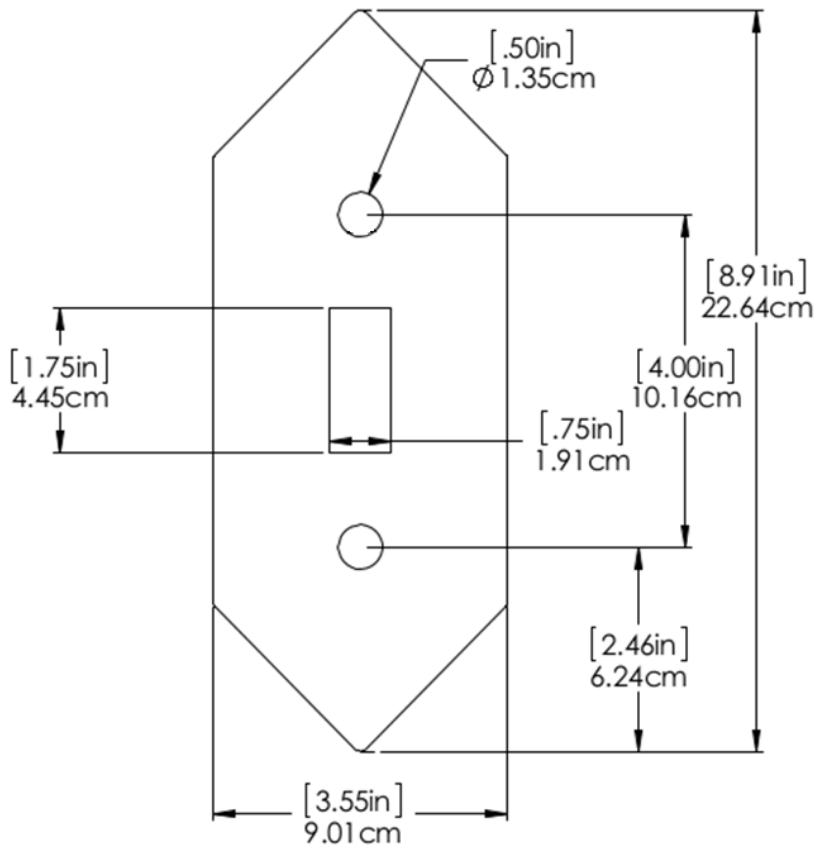
Front



Side



Bracket



Standards Compliant

This product is designed and manufactured in the USA.

- ROHS compliant
- Temperature rating -40C to +60C.



**Double Sided Wall Mount IP Display
with InformaCast®**

WL-IPD-SPKR-510D-INF

Installation Guide