



wahsega

Wall Mount IP Speaker with InformaCast®

Installer's Guide



Getting Started

This step-by-step guide will help you install your Wahsega Wall Mount IP Speaker with InformaCast®.

What's In the Box

- **Speaker assembly**

- **Mounting bracket**

- **Mounting hardware**
 - (4) #6-32 Screws
 - (4) #6 lock washers
 - (8) #8-32 Screws
 - (8) #8 lock washers

What You Will Need

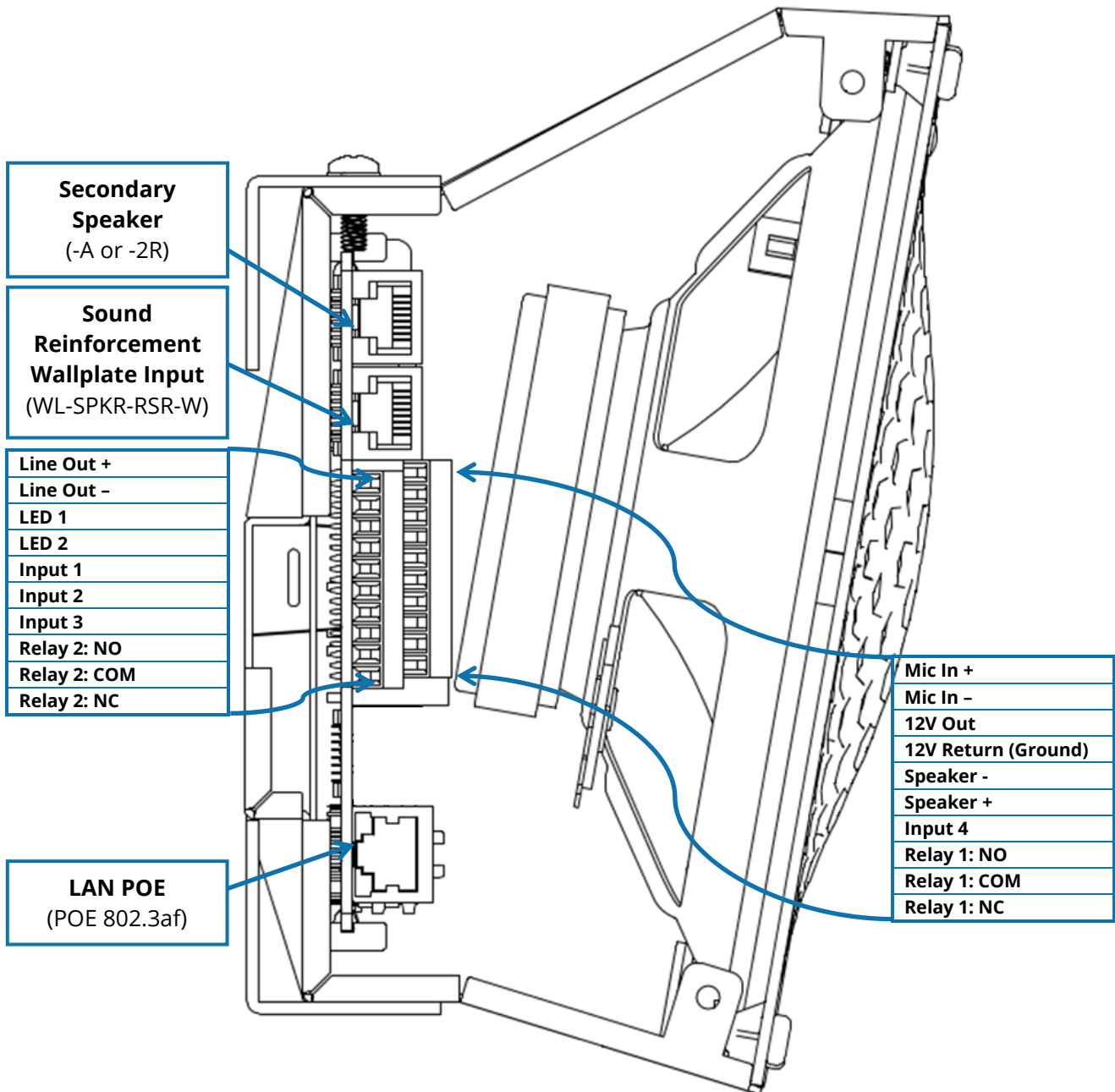
- **PoE power**
 - Standards compliant (IEEE 802.3af) POE switch

- **Remote communication point(s)**
 - Singlewire InformaCast server
 - SIP server (such as Wahsega PICS), if using SIP

- **Network cable**
 - Cat 5e or Cat 6

- **Screwdrivers**
 - Small flat head screwdriver
 - Phillips head screwdriver

Wiring Your Wahsega IP Speaker



SECOND SPEAKER

Connect to a secondary Wahsega speaker up to 20m away via Cat5e or Cat6 cable.

- Use a straight cable. Do not use a crossover cable.
- Compatible models: WL-SPKR-22-2R, WL-SPKR-22-A, WL-SPKR-SMT-2R or WL-SPKR-SMT-A

WALLPLATE INPUT

Connect to optional Wahsega Sound Reinforcement Input Panel up to 100ft away via Cat5e or Cat6 cable.

- Use a straight cable. Do not use a crossover cable.
- Compatible model: WL-SPKR-RSR-W

TERMINAL BLOCKS

MIC IN +	<i>Unused</i>
MIC IN -	<i>Unused</i>
12 V OUT	Fused, nominal 12V output, max 0.5A. Subject to power capabilities of PoE.
12 V RTN (GND)	Ground
SPKR -	<i>Unused</i>
SPKR +	<i>Unused</i>
INPUT 4	Contact closure to ground (<i>12 V RTN</i>). Connect a Volume Button or SNMP Variable/Trap contact using <i>Input 4</i> and <i>12 V RTN (GND)</i> .
RELAY 1: NO	Isolated dry contact closure. Normally Open.
RELAY 1: COM	Isolated dry contact closure. Common.
RELAY 1: NC	Isolated dry contact closure. Normally Closed.

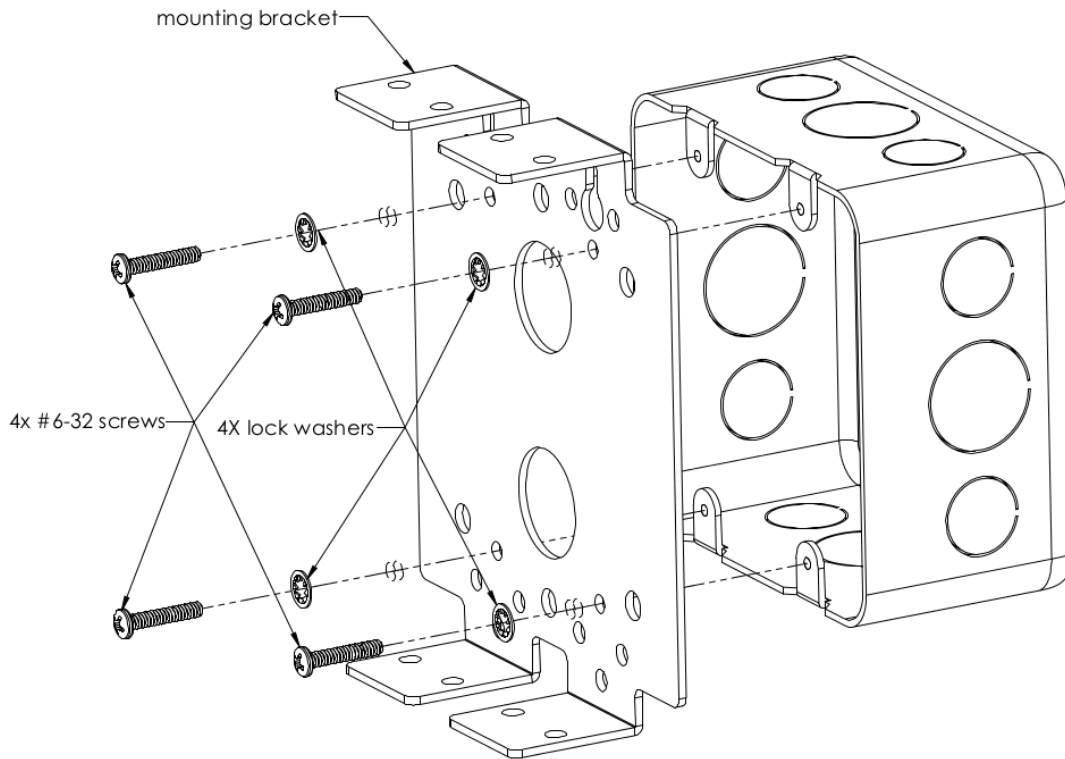
LINE OUT +	Consumer line input level (-10dBV)
LINE OUT -	Consumer line input level (-10dBV)
LED 1	<i>Unused</i>
LED 2	<i>Unused</i>
INPUT 1	Contact closure to ground (12 V RTN). Connect a Panic/Call Button using <i>Input 1</i> and 12 V RTN (GND).
INPUT 2	Contact closure to ground (12 V RTN). Connect a Volume Button or SNMP Variable/Trap contact using <i>Input 2</i> and 12 V RTN (GND).
INPUT 3	Contact closure to ground (12 V RTN). Connect a Volume Button or SNMP Variable/Trap contact using <i>Input 3</i> and 12 V RTN (GND).
RELAY 2: NO	Isolated dry contact closure. Normally Open.
RELAY 2: COM	Isolated dry contact closure. Common.
RELAY 2: NC	Isolated dry contact closure. Normally Closed.

LAN / POE

To use Power-over-Ethernet (PoE 802.3af), route a Cat 5e or Cat 6 Ethernet cable from a PoE switch to the LAN/POE port.

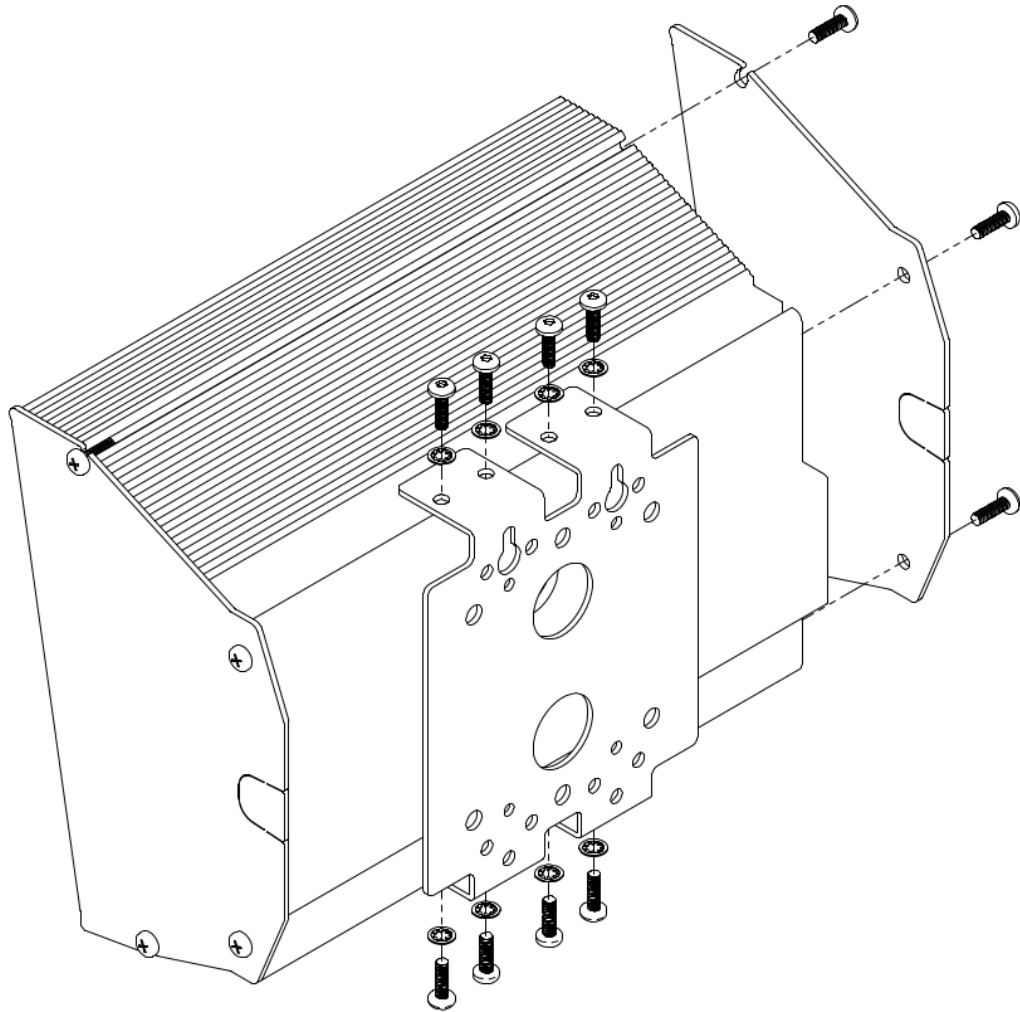
- Once the unit is successfully powered, the LINK/ACTV indicator LED will begin to blink.

Mounting and Installation

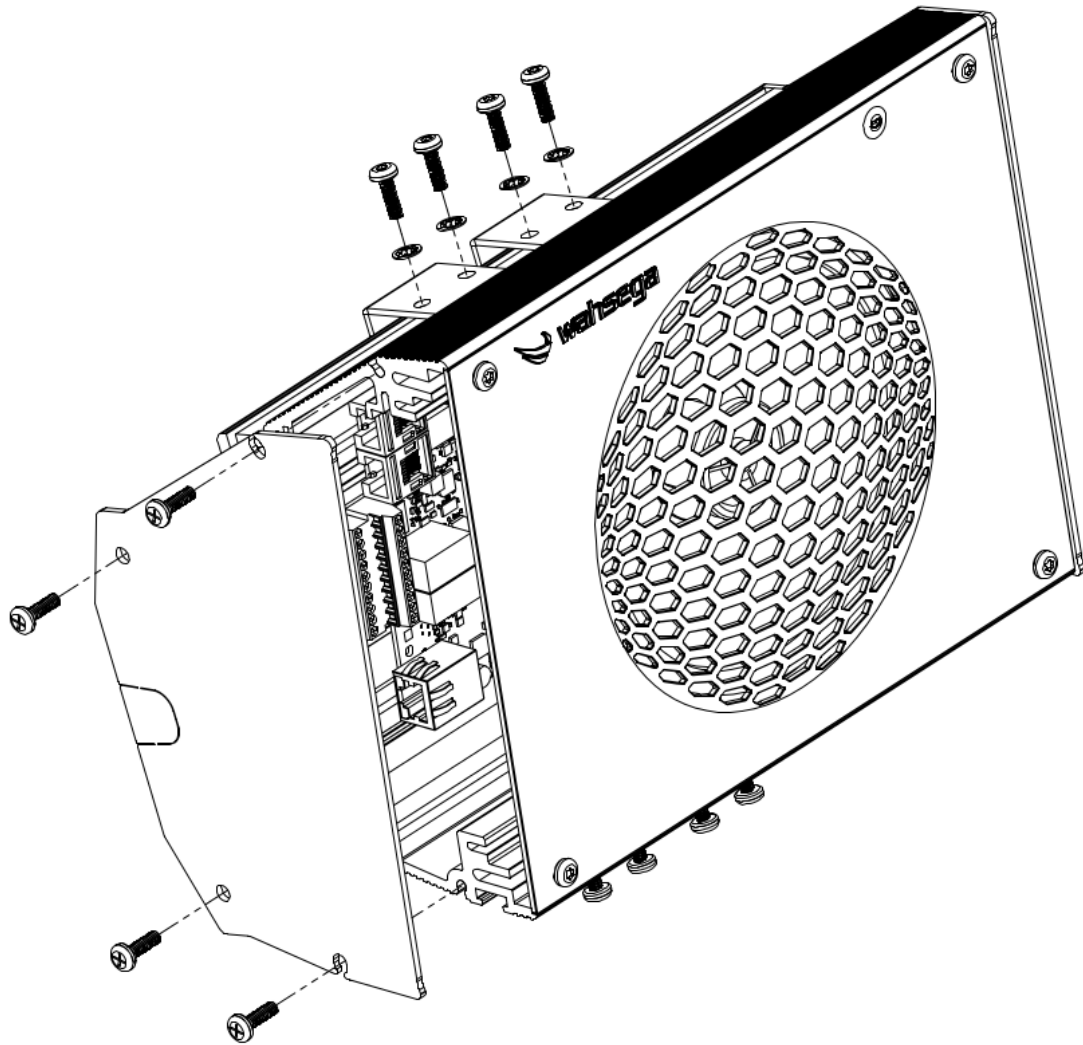


Mount included bracket to the front of a standard two-gang electrical backbox (preferred), using (4) included #6-32 screws and lock washers.

If mounting bracket to a solid surface rather than to an electrical backbox, use the appropriate bolts and anchors for that surface.



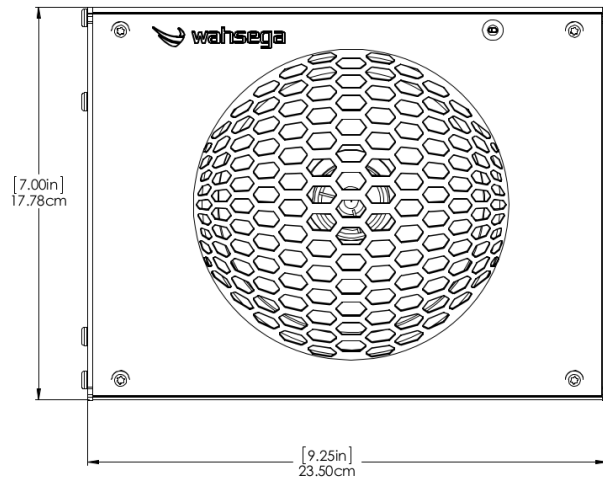
Attach speaker to bracket using included (8) #8-32 screws and washers.



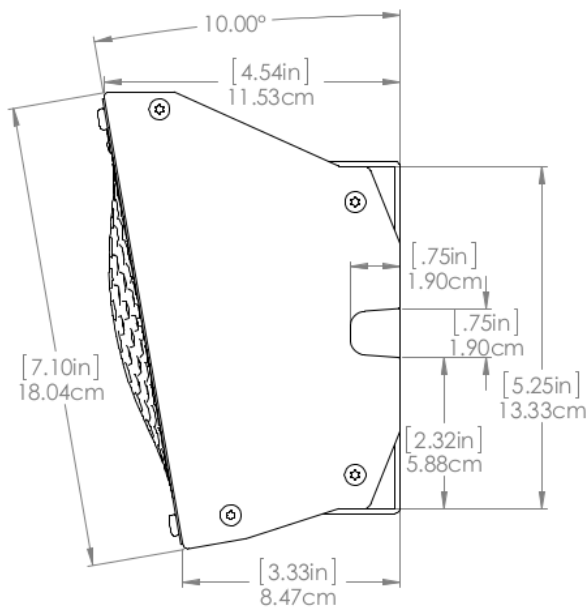
Cable access is available through rear opening or side panel knockout.

Dimensions

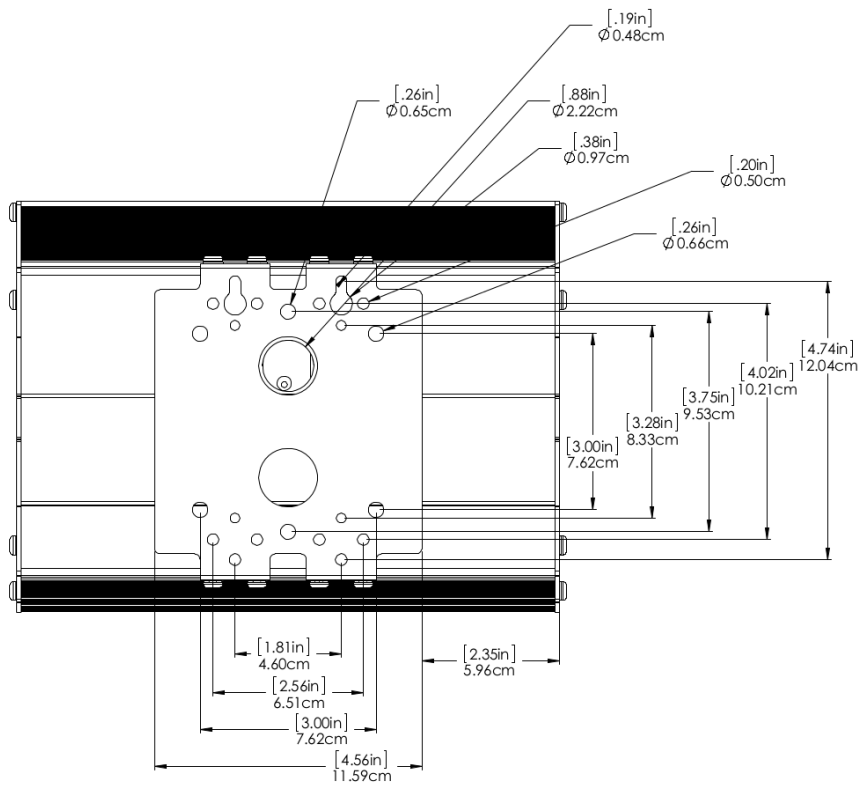
Front



Side



Rear



Standards Compliant

This product is designed and manufactured in the USA.

- ROHS compliant
- Temperature rating -40C to +60C.



Wahsega Wall Mount IP Speaker with InformaCast®

WL-SPKR-SMT-INF

Installation Guide