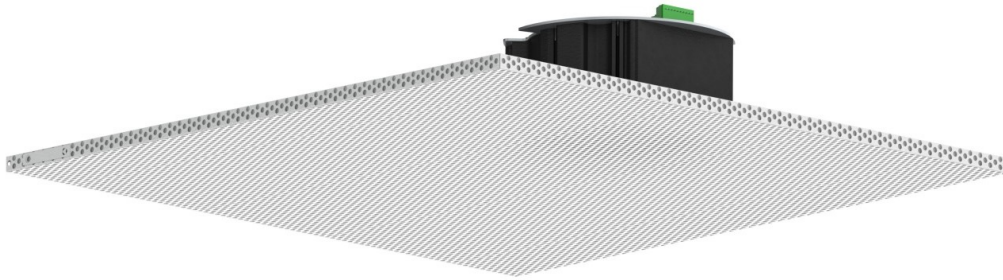


2x2 Ceiling IP Speaker with InformaCast®



Description

The Wahsega 2x2 Ceiling IP Speaker with InformaCast® supports dual registration with InformaCast® and SIP. With classroom sound reinforcement and the ability to drive a second, independent classroom speaker, the Wahsega ceiling speaker is powered via Power-over-Ethernet (PoE). This low-cost, high-quality speaker can function as a 2-way intercom and receive broadcast announcements via Singlewire's InformaCast System, all from a single IP speaker.

With two onboard relays, the Wahsega 2x2 Ceiling IP Speaker enables emergency classroom lockdown by controlling door locks for up to two doors.

The Wahsega 2x2 Ceiling IP Speaker works with standard panic buttons. Its advanced functionality can reduce the number of false alarm triggers from that panic button. With this feature, a brief button press places a call to one preconfigured number—such as the front office—while a longer press-and-hold will call a second, preconfigured panic number.

The 2x2 Ceiling IP Speaker also has the ability to drive a second, lower-cost Wahsega speaker up to 20 meters away via Cat5e or Cat6 cable. For larger classrooms where a second speaker is needed, the WL-SPKR-22-A or WL-SPKR-SMT-A Extension Speaker can be used to increase audio output without the need for a second PoE homerun. Alternately, the Wahsega 2x2 Ceiling Speaker can be used in conjunction with a WL-SPKR-22-2R or WL-SPKR-SMT-2R Second Room Speaker for independent control of two separate classrooms, using only one PoE homerun.

The InformaCast system will automatically recognize and register the speakers, making programming quick and efficient. Both audible and LED feedback at the speakers will let installers know when their system is up and running.

With simple installation and advanced functionality, the Wahsega 2x2 Ceiling IP Speaker with InformaCast is perfect for any classroom application, large or small.



Job Name: **Model Numbers:** **Date:**

Location: **Notes:**

Features

- Able to drive second Wahsega classroom speaker up to 20m away via Cat5e or Cat6
- Dual registration: SIP and InformaCast
- PoE 802.3af enabled (Power-over-Ethernet)
- Industry-leading low standby power
- Fully configurable via simple webpages
- Automatic registration on the InformaCast server
- QR code label for easy MAC address ID
- Multiple audio codecs to choose from
- Simple 2x2 grid lay-in ceiling installation
- Standard earthquake tabs for stability
- Integrated status LED
- Integrated microphone
- Two onboard relays for door control
- Compatible with standard panic buttons
- Advanced panic button functionality to reduce false alarm triggers
- Web-based mic and speaker volume control
- RJ45 connections for simplified installation of second speaker and remote sound reinforcement faceplate
- Available sound reinforcement input wallplate

Specifications

- Ethernet: 10/100 Mbps
- Power Input: PoE 802.3af
- Standby power: <2 Watts
- Protocol: SIP RFC 3261 compatible
- Audio Codecs: G.711, G.726 (16/24/32/40kbps), G.722, G.729, DVI4 (narrow/HD/Ultra HD), Linear PCM, iLBC, Speex, SILK
- Audio Sampling: CD audio of 44.1kHz for InformaCast high quality announcements
- Speaker Drive Capabilities: 8W (5W per speaker when driving two speakers)
- Speaker Impedance: 8Ω
- Speaker Sensitivity: 96dB 1W/0.5M SPL
- Coverage Angle: 120° / 4 kHz
- Dry Contact Relay Rating: 2A min, 250V AC, 24V DC
- Max PoE Cable Length: 100m (per standard) PoE 10/100 cable length
- Max Auxiliary Speaker Cable Length (Cat5e or Cat6): 20m
- Temperature Range: -40°C to +60°C
- Dimensions: 24" x 24" x 4.44"
- Construction: 24-gauge steel housing with white polyester powdercoat paint
- Options: Remote sound reinforcement wallplate and Wahsega auxiliary analog speaker
- Warranty: 2 years limited

Job Name: **Model Numbers:** **Date:**

Location: **Notes:**

Model Numbers

Primary Speaker

WL-SPKR-22-INF

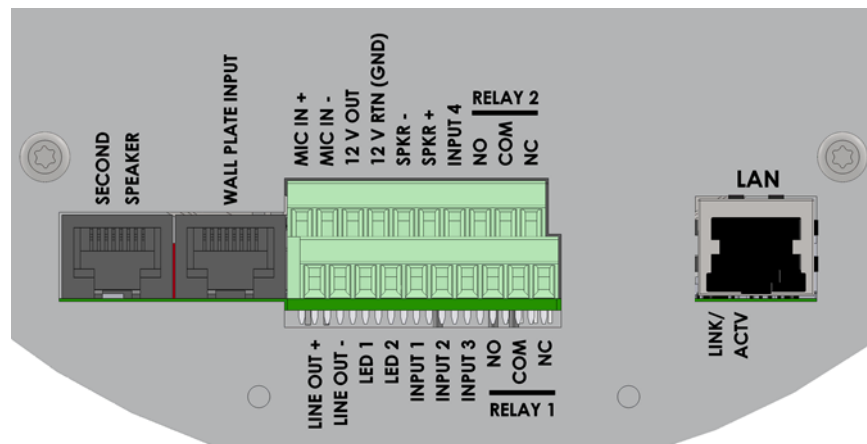
Wahsega Labs	Speaker	Mount	Protocol
WL	SPKR	22	INF
Wahsega Labs	Speaker	22 = 2x2 Lay-in SMT = Wall Mount	CAR = Carina INF = InformaCast

Secondary Speaker

WL-SPKR-22-2R

Wahsega Labs	Speaker	Mount	Functionality
WL	SPKR	22	2R
Wahsega Labs	Speaker	22 = 2x2 Lay-in SMT = Wall Mount	A = Extension Speaker 2R = Second Room Speaker

Connections



Installation

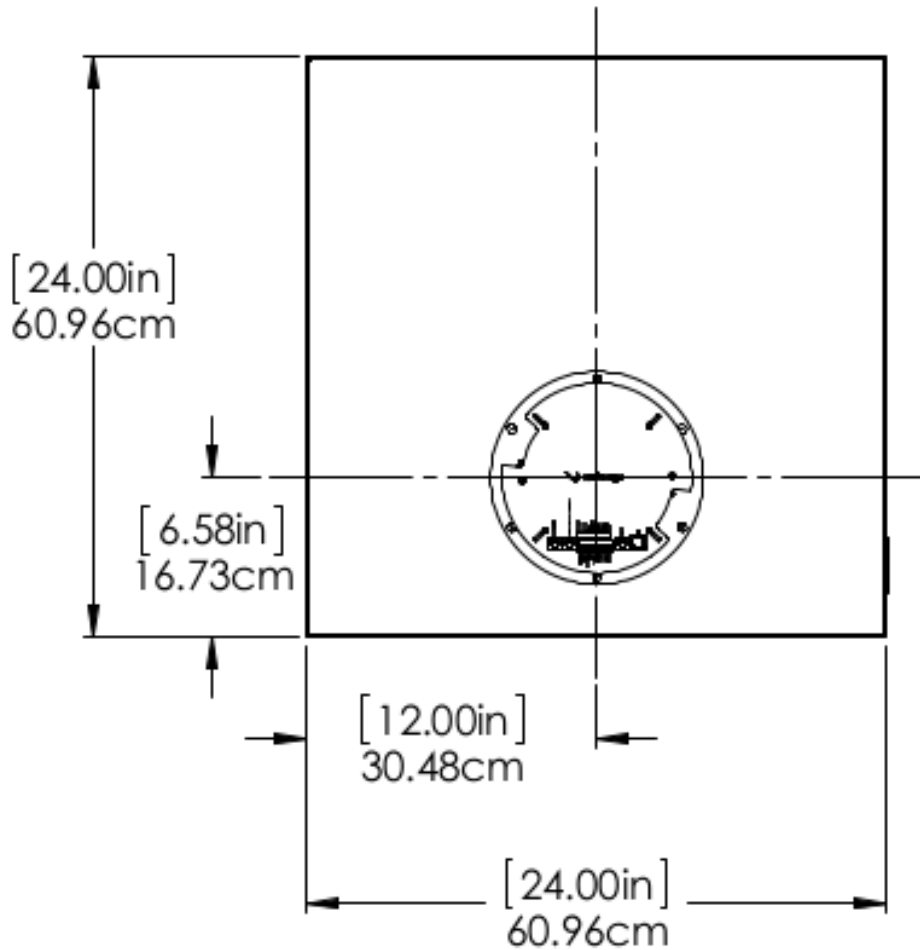
Standard 2x2 lay-in mounting with earthquake tabs for added stability. Power supplied via Power-over-Ethernet (PoE) 802.3af.

Job Name: Model Numbers: Date:

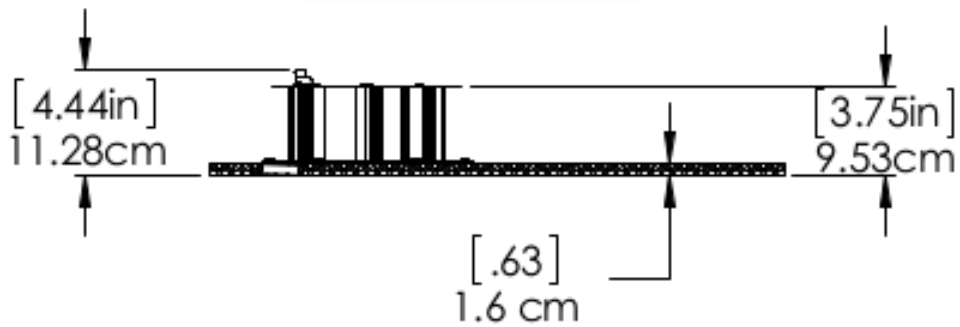
Location: Notes:

Dimensions

Length and Width



Ceiling Depth



Job Name: Model Numbers: Date:

Location: Notes: