

Wall Mount IP Speaker with InformaCast®



Description

The Wahsega Wall Mount IP Speaker supports dual registration with InformaCast® and SIP. With classroom sound reinforcement functionality and the ability to drive a second, independent classroom speaker, the surface mounted wall speaker is powered via Power-over-Ethernet (PoE). This low-cost, high-quality wall speaker can function as a 2-way intercom and receive broadcast announcements via Singlewire's InformaCast System, all from a single IP speaker.

With two onboard relays, the Wahsega Wall Mount IP Speaker with InformaCast enables emergency classroom lockdown by controlling door locks for up to two doors.

The Wall Mount IP Speaker works with standard panic buttons. Its advanced functionality can also reduce the number of false alarm triggers from that panic button. With this feature, a brief button press places a call to one preconfigured number—such as the front office—while a longer press-and-hold will call a second, preconfigured panic number.

The Wahsega Wall Mount IP Speaker also has the ability to drive a second, lower-cost Wahsega speaker up to 20 meters away via Cat5e or Cat6 cable. For larger classrooms where a second speaker is needed, an Extension Speaker (WL-SPKR-22-A or WL-SPKR-SMT-A) can be used to increase audio output without the need for a second PoE homerun. Alternately, the Wall Mount IP Speaker can be used in conjunction with the WL-SPKR-22-2R or WL-SPKR-SMT-2R Second Classroom Speaker for independent control of two separate classrooms, using only one PoE homerun.

The InformaCast system will automatically recognize and register the speakers, making programming quick and efficient. Both audible and LED feedback at the speakers will let installers know when their system is up and running.

With simple installation and advanced functionality, the Wahsega Wall Mount IP Speaker with InformaCast is perfect for any classroom application, large or small.

Job Name: **Model Numbers:** **Date:**

Location: **Notes:**

Features

- Dual registration: SIP and InformaCast
- PoE 802.3af enabled (Power-over-Ethernet)
- Industry-low standby power consumption
- Fully configurable via simple webpages
- Automatic InformaCast server registration
- QR code label for easy MAC address ID
- Multiple audio codecs to choose from
- Simple surface-mount wall installation
- Integrated status LED
- Can drive two separate classrooms, lowering cost per classroom
- Able to drive second Wahsega speaker up to 20m away via Cat5e or Cat6
- Microphone input
- Web-based mic and speaker volume control
- Two onboard relays for door control
- Compatible with standard panic buttons
- Advanced panic button functionality to reduce false alarm triggers
- RJ45 connections for simplified installation of second speaker and remote sound reinforcement faceplate
- Available classroom sound reinforcement audio input wallplate

Specifications

- Ethernet: 10/100 Mbps
- Power Input: PoE 802.3af
- Standby power: <2 Watts
- Protocol: SIP RFC 3261 compatible
- Audio Codecs: G.711, G.726 (16/24/32/40kbps), G.722, G.729, DVI4 (narrow/HD/Ultra HD), Linear PCM, iLBC, Speex, SILK
- Audio Sampling: CD audio of 44.1kHz for InformaCast high quality announcements
- Speaker Drive Capabilities: 8W (5W per speaker when driving two speakers)
- Speaker Impedance: 8Ω
- Speaker Sensitivity: 96dB 1W/0.5M SPL
- Coverage Angle: 120° / 4 kHz
- Dry Contact Relay Rating: 2A min, 250V AC, 24V DC
- Max PoE Cable Length: 100m (per standard) PoE 10/100 cable length
- Max Secondary Speaker Cat5e or Cat6 Cable Length: 20m
- Temperature Range: -40°C to +60°C
- Dimensions: 9.25" x 7.0" x 4.62"
- Construction: Aluminum extrusion with plastic side and faceplates
- Options: Remote Sound Reinforcement Wallplate, Wahsega Auxiliary Analog Speaker
- Warranty: 2 years limited

Job Name: **Model Numbers:** **Date:**

Location: **Notes:**

Model Numbers

Primary Speaker

WL-SPKR-SMT-INF

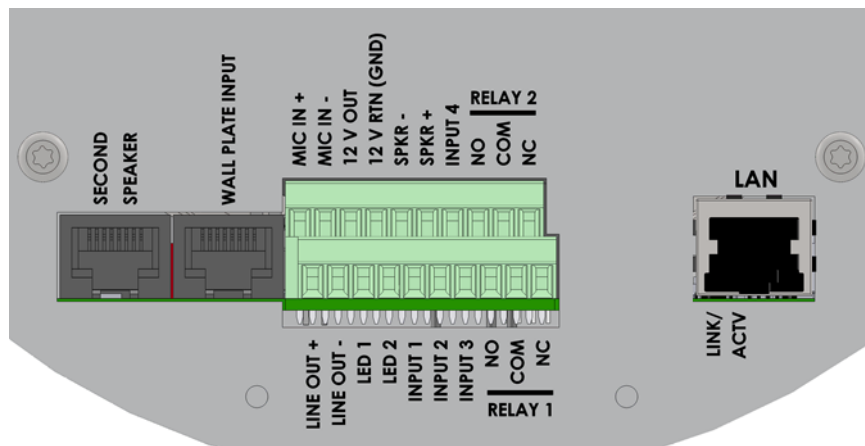
Wahsega Labs	Speaker	Mount	Protocol
WL	SPKR	SMT	INF
Wahsega Labs	Speaker	22 = 2X2 Lay-In SMT = Wall Mount	CAR = Carina INF = InformaCast

Secondary Speaker

WL-SPKR-SMT-2R

Wahsega Labs	Speaker	Mount	Auxiliary
WL	SPKR	SMT	2R
Wahsega Labs	Speaker	22 = 2x2 Lay-In SMT = Wall Mount	A = Extension Speaker 2R = Second Room

Connections



Installation

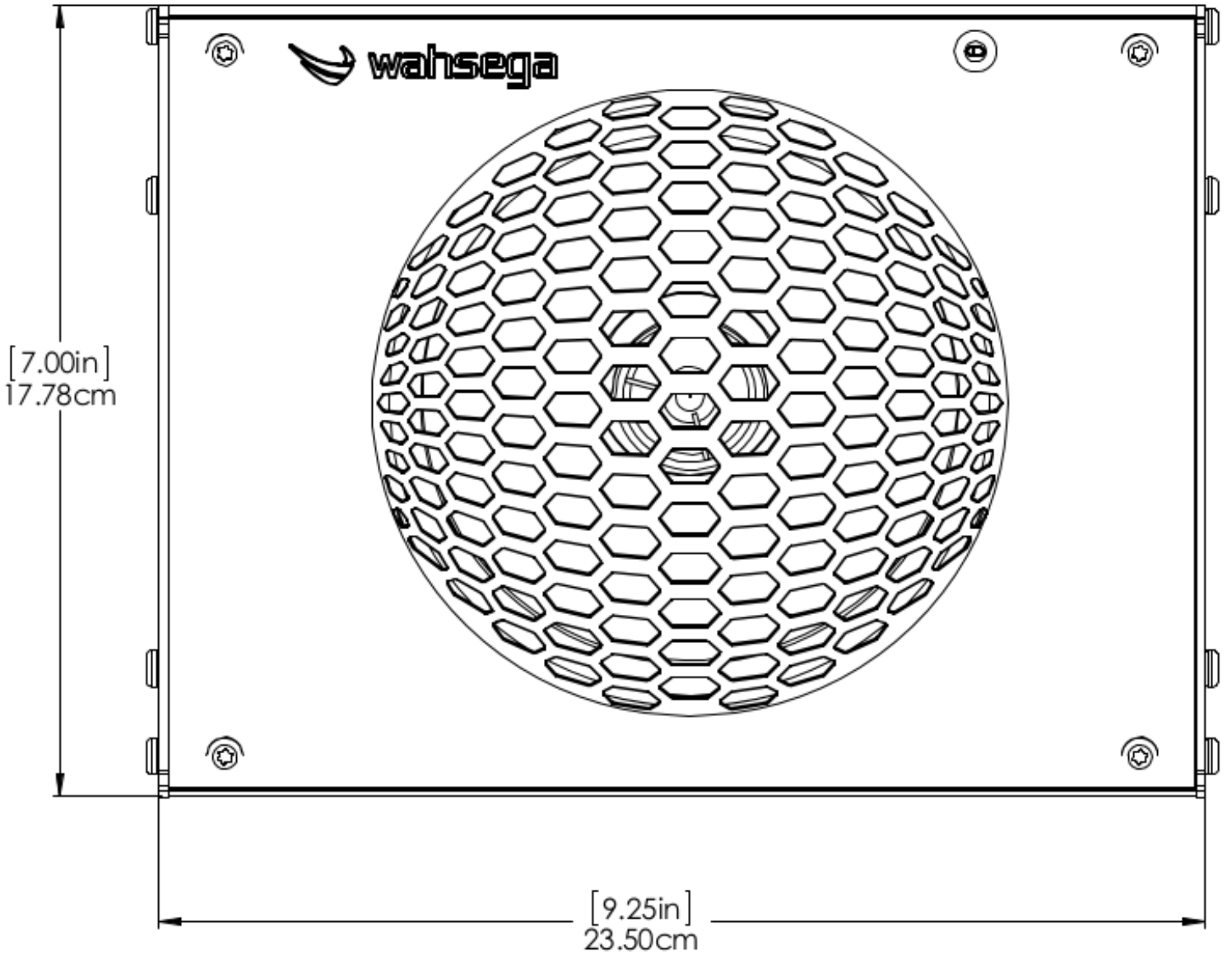
Simple, surface mount wall installation with rear conduit access and top and bottom raceway access for wiring. Power supplied via Power-over-Ethernet (PoE) 802.3af.

Job Name:
Model Numbers:
Date:

Location:
Notes:

Dimensions

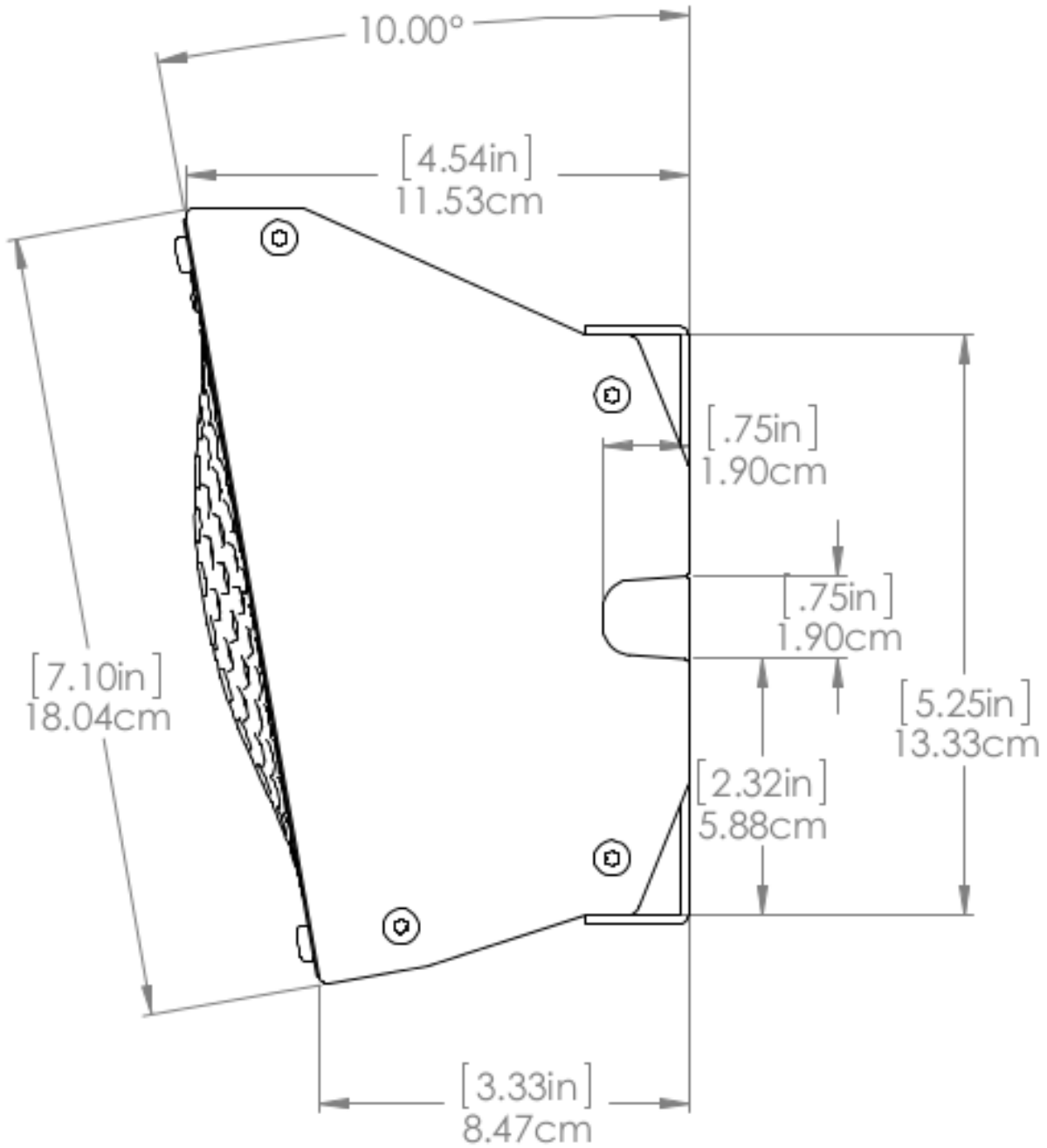
Front View



Job Name: Model Numbers: Date:

Location: Notes:

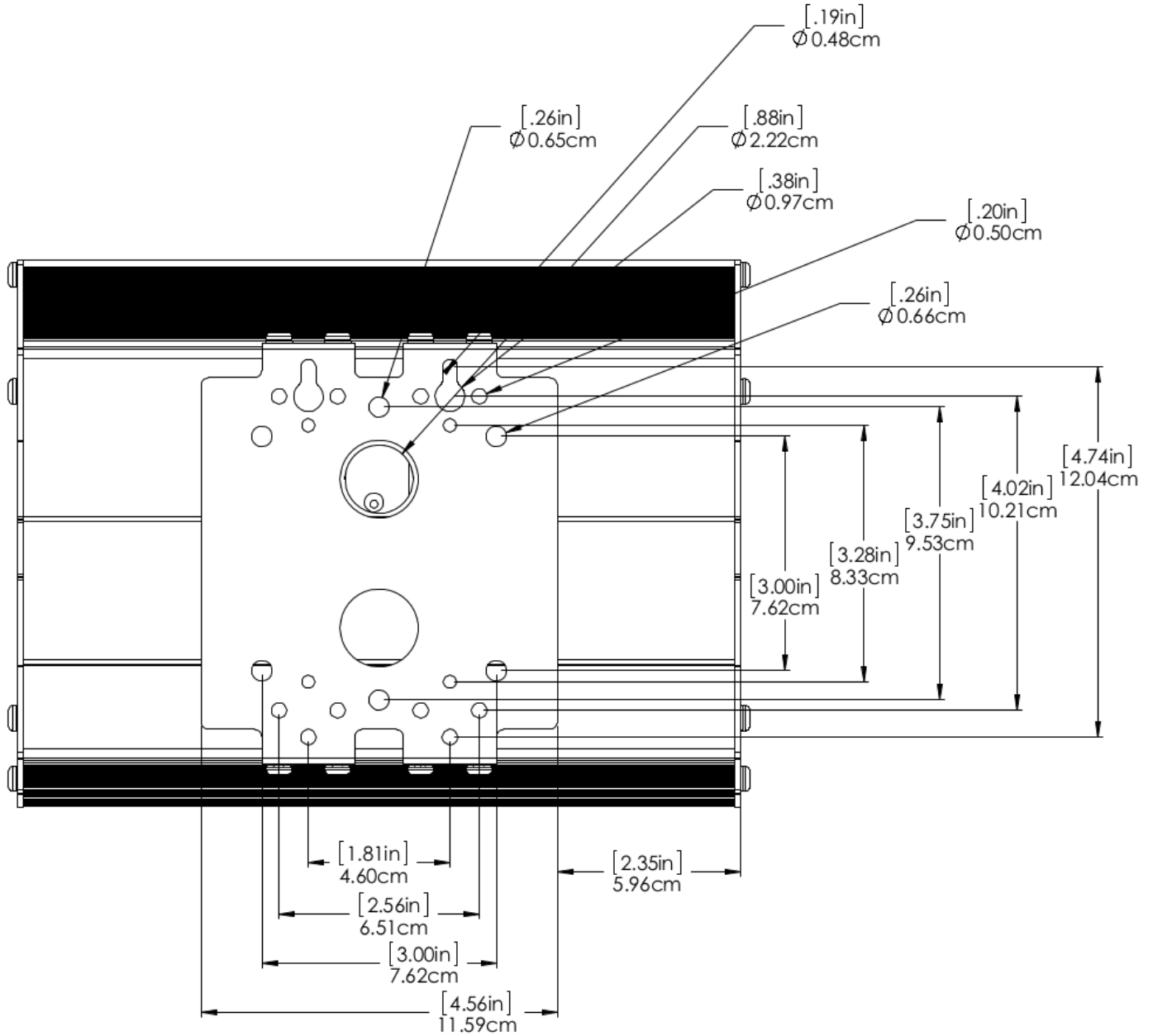
Side View



Job Name: Model Numbers: Date:

Location: Notes:

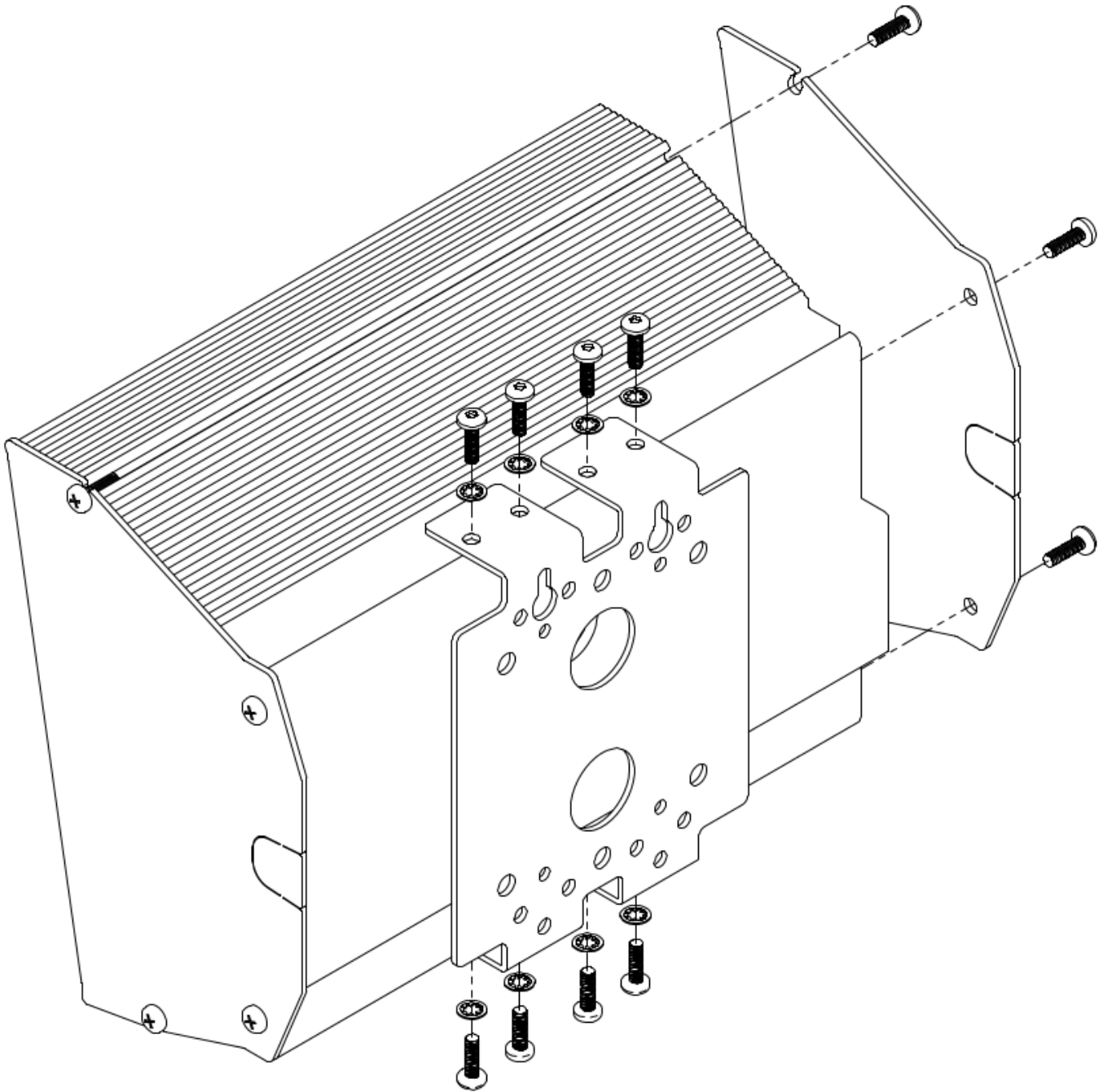
Rear View



Job Name: Model Numbers: Date:

Location: Notes:

Installation View



Job Name: Model Numbers: Date:

Location: Notes: