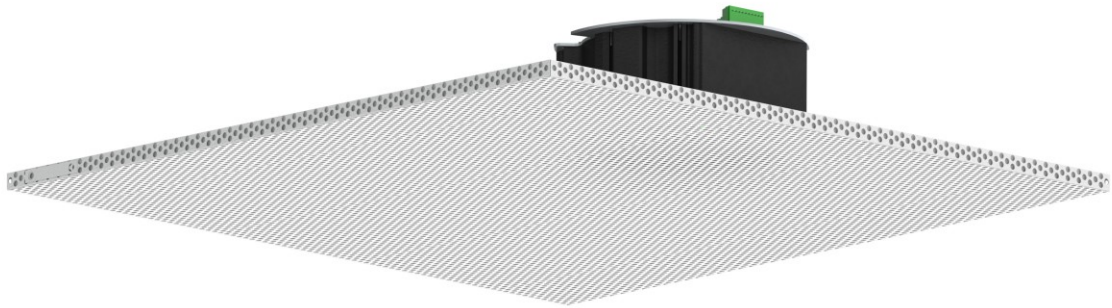




wahsega

2X2 Ceiling Second Room Speaker

Installer's Guide



Getting Started

This step-by-step guide will help you install your Wahsega 2X2 Ceiling Second Room Speaker.

What You Will Need

- **Wahsega primary speaker**

- Compatible models:

WL-SPKR-SMT-CAR

WL-SPKR-SMT-INF

WL-SPKR-22-CAR

WL-SPKR-22-INF

- **Network cable**

- Cat 5e or Cat 6 straight cable

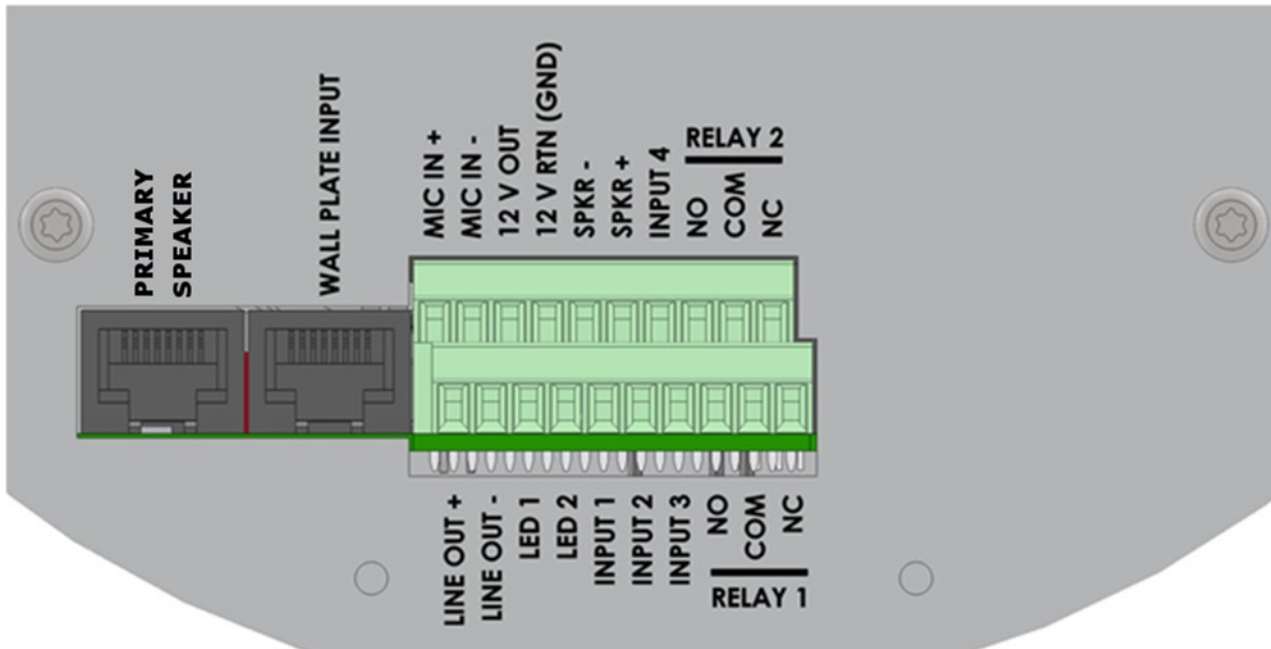
- **Screwdrivers**

- Small flat head screwdriver
- Phillips head screwdriver

Wiring Your Wahsega Speaker



Enlarged Area



PRIMARY SPEAKER

The -2R speaker receives its power and data from a Wahsega primary speaker. Connect a Cat5e or Cat6 straight cable to the primary speaker up to 20m away. Do not use a crossover cable.

- Compatible models: WL-SPKR-22-CAR, WL-SPKR-22-INF, WL-SPKR-SMT-CAR or WL-SPKR-SMT-INF
- Once the unit is successfully powered, the amber indicator LED on the front of the speaker will begin to blink.

WALLPLATE INPUT

Connect to optional Wahsega Sound Reinforcement Input Panel up to 100ft away via Cat5e or Cat6 cable.

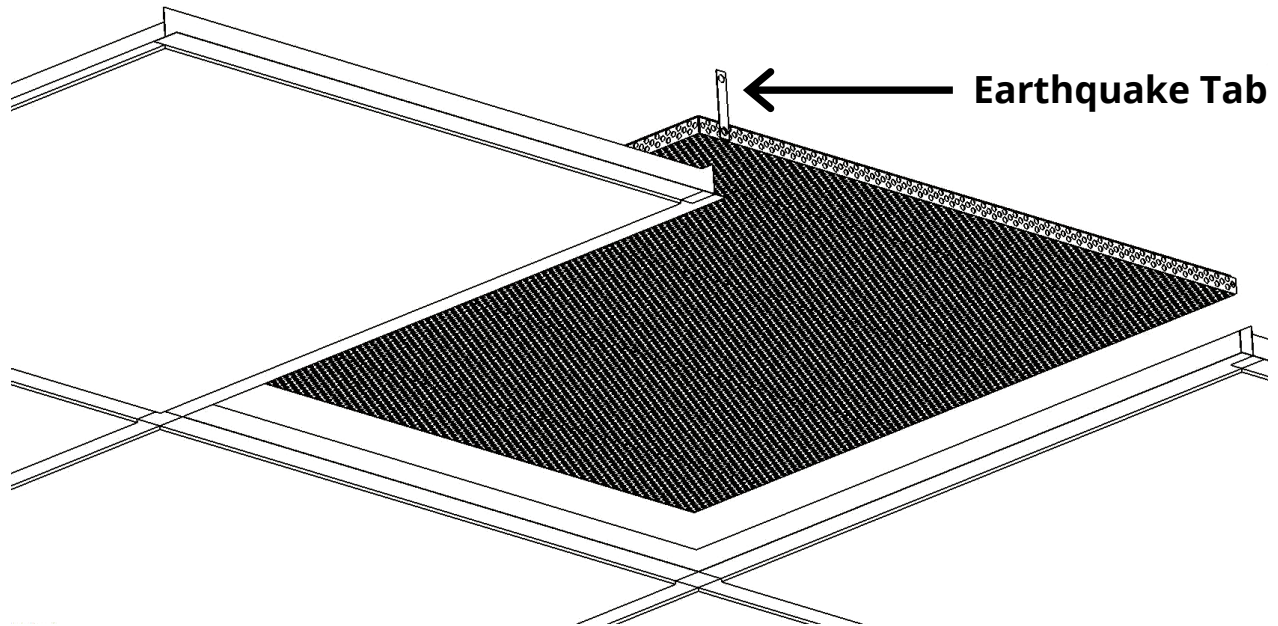
- Compatible model: WL-SPKR-RSR-W
- Use a straight cable. Do not use a crossover cable.

TERMINAL BLOCKS

MIC IN +	<i>Unused</i>
MIC IN -	<i>Unused</i>
12 V OUT	Fused, nominal 12V output, max 0.5A. Subject to power capabilities of PoE.
12 V RTN (GND)	Ground
SPKR -	<i>Unused</i>
SPKR +	<i>Unused</i>
INPUT 4	Contact closure to ground (<i>12 V RTN</i>). Connect a Volume Button or SNMP Variable/Trap contact using <i>Input 4</i> and <i>12 V RTN (GND)</i> .
RELAY 2: NO	Isolated dry contact closure. Normally Open.
RELAY 2: COM	Isolated dry contact closure. Common.
RELAY 2: NC	Isolated dry contact closure. Normally Closed.

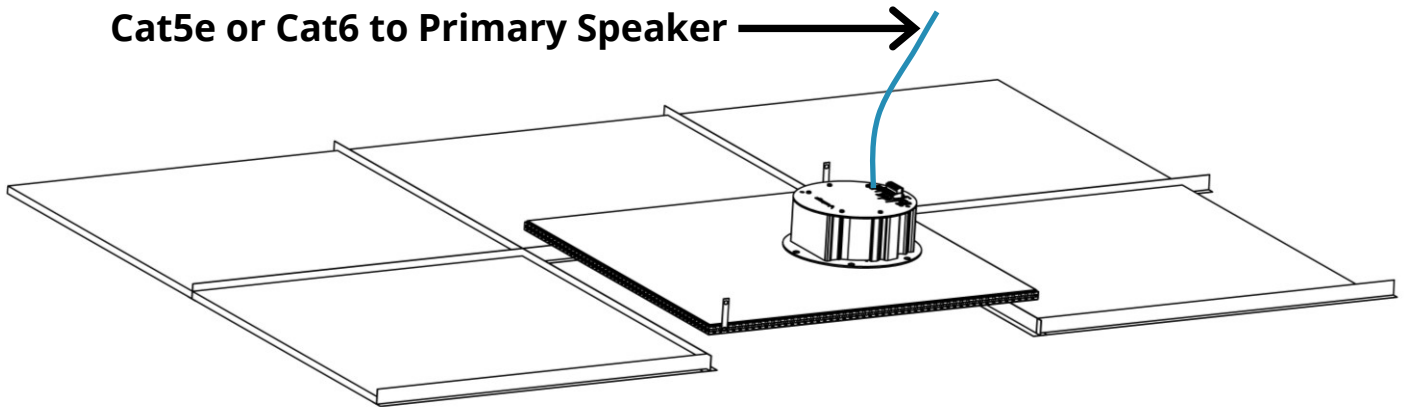
LINE OUT +	Consumer line input level (-10dBV)
LINE OUT -	Consumer line input level (+10dBV)
LED 1	<i>Unused</i>
LED 2	<i>Unused</i>
INPUT 1	Contact closure to ground (12 V RTN). Connect a Panic/Call Button using <i>Input 1</i> and 12 V RTN (GND).
INPUT 2	Contact closure to ground (12 V RTN). Connect a Volume Button or SNMP Variable/Trap contact using <i>Input 2</i> and 12 V RTN (GND).
INPUT 3	Contact closure to ground (12 V RTN). Connect a Volume Button or SNMP Variable/Trap contact using <i>Input 3</i> and 12 V RTN (GND).
RELAY 1: NO	Isolated dry contact closure. Normally Open.
RELAY 1: COM	Isolated dry contact closure. Common.
RELAY 1: NC	Isolated dry contact closure. Normally Closed.

Installing in a 2x2 Grid Ceiling



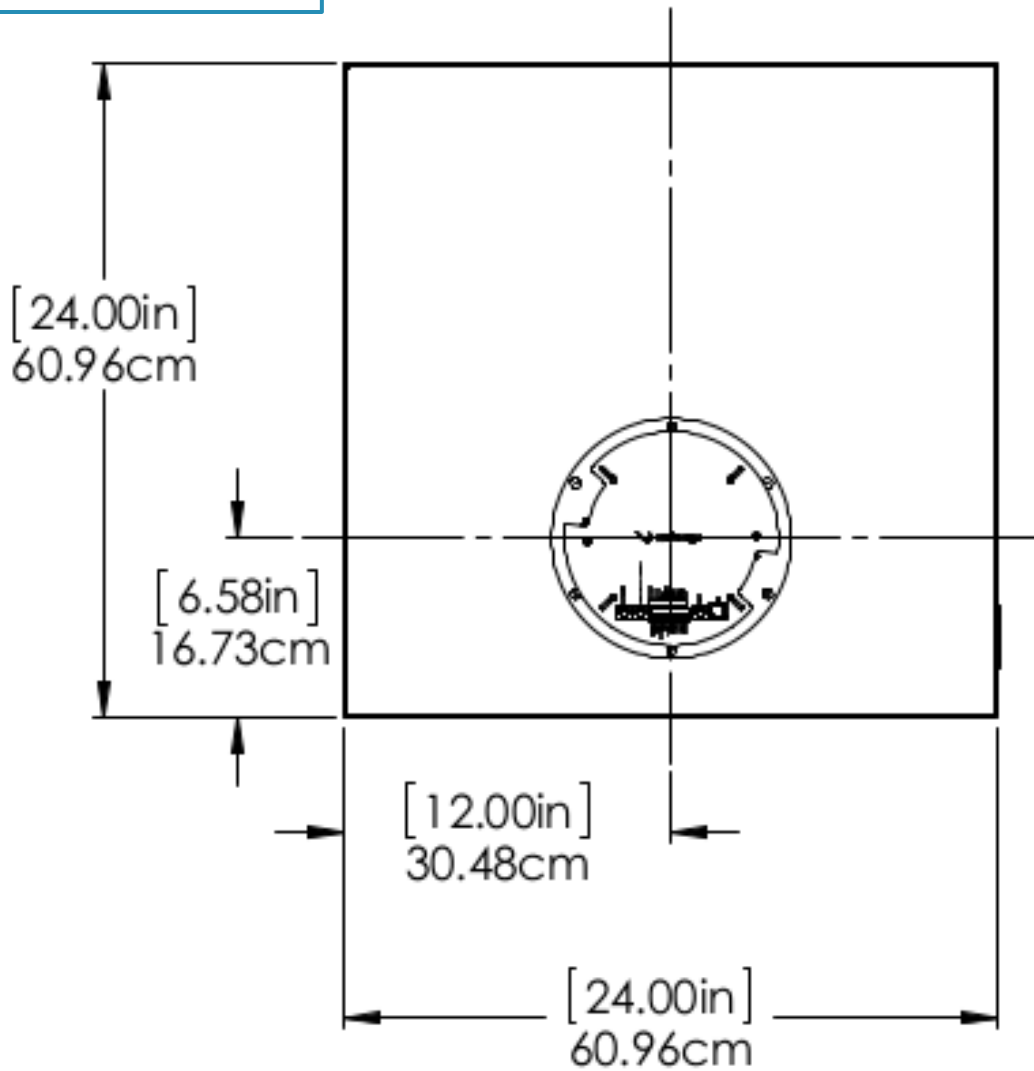
1. Lift earthquake tabs until perpendicular to the speaker frame.
2. Carefully angle and lift speaker and place into ceiling grid.
3. Insure that wires and cables are properly connected.
4. Attach earthquake tabs to secure speaker to structure per local building and electrical codes.

Cat5e or Cat6 to Primary Speaker →

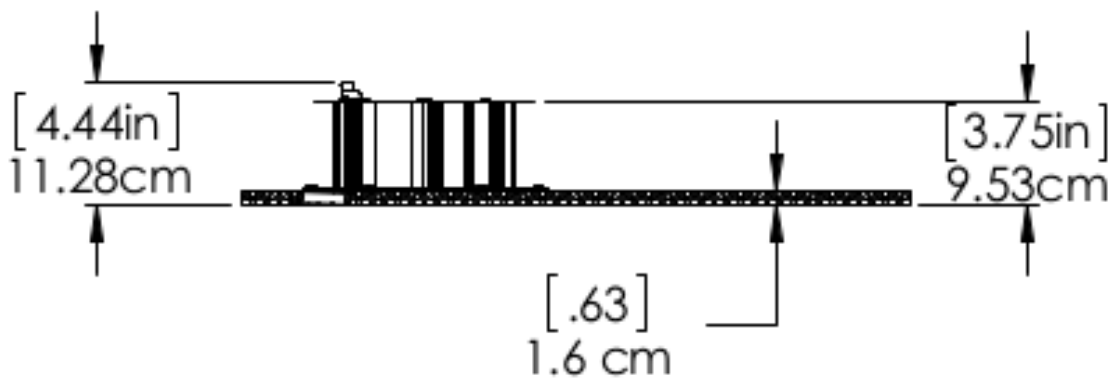


Dimensions

Length and Width



Depth



Standards Compliant

This product is designed and manufactured in the USA.

- ROHS compliant
- Temperature rating -40C to +60.



Wahsega 2X2 Ceiling Second Room Speaker

WL-SPKR-22-2R

Installation Guide