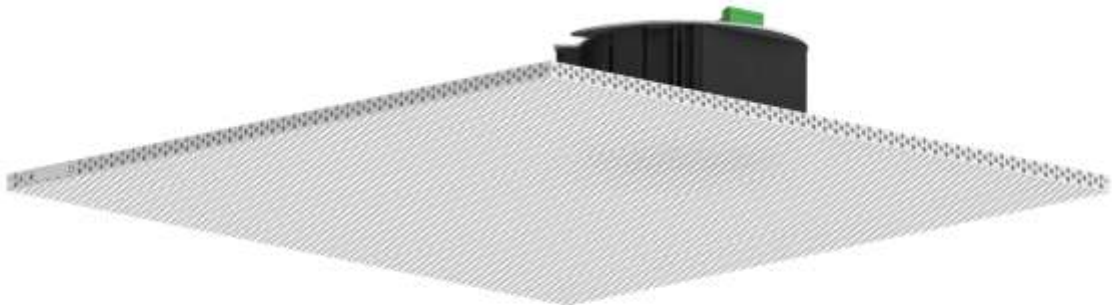




**wahsega**  
**labs**

## **Carina 2x2 Ceiling Speaker**

### *Installer's Guide*



### **Getting Started**

This step-by-step guide will help you install your Wahsega Carina 2x2 Ceiling Speaker.

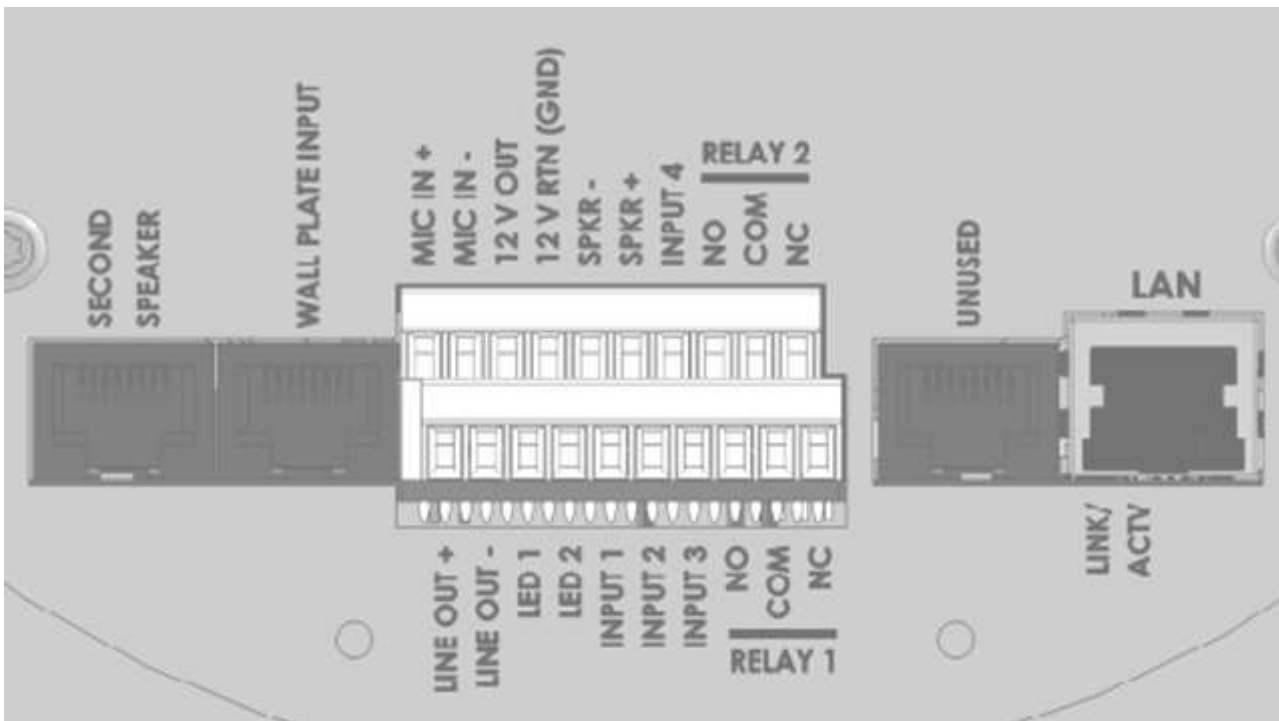
## What You Will Need

- **PoE power**
  - Standards compliant (IEEE 802.3af) POE switch or injector
- **Remote communication point(s)**
  - Carina Event Manager
  - SIP server (such as Wahsega PICS), if using SIP
- **Network cable** (Cat 5e or Cat 6)
- **Screwdrivers**
  - Small flat head screwdriver

## Wiring Your Wahsega Speaker



Enlarged Area



## SECOND SPEAKER

Connect to a secondary Wahsega speaker up to 20m away via Cat5e or Cat6 cable. Use straight cable. Do not use a crossover cable.

- Compatible models: WL-SPKR-22-2R, WL-SPKR-22-A, WL-SPKR-SMT-2R or WL-SPKR-SMT-A.

## WALLPLATE INPUT

Connect to optional Wahsega Sound Reinforcement Input Panel up to 100ft away via Cat5e or Cat6 cable. Use straight cable. Do not use a crossover cable.

- Compatible model: WL-SPKR-RSR-W

## TERMINAL BLOCKS

<b>MIC IN +</b>	<i>Unused</i>
<b>MIC IN -</b>	<i>Unused</i>
<b>12 V OUT</b>	Fused, nominal 12V output, max 0.5A. Subject to power capabilities of PoE.
<b>12 V RTN (GND)</b>	Ground
<b>SPKR -</b>	<i>Unused</i>
<b>SPKR +</b>	<i>Unused</i>
<b>INPUT 4</b>	Contact closure to ground ( <i>12 V RTN</i> ). Connect a Volume Button or SNMP Variable/Trap contact using <i>Input 4</i> and <i>12 V RTN (GND)</i> .
<b>RELAY 2: NO</b>	Isolated dry contact closure. Normally Open.
<b>RELAY 2: COM</b>	Isolated dry contact closure. Common.
<b>RELAY 2: NC</b>	Isolated dry contact closure. Normally Closed.

<b>LINE OUT +</b>	Consumer line input level (-10dBV)
<b>LINE OUT -</b>	Consumer line input level (+10dBV)
<b>LED 1</b>	<i>Unused</i>
<b>LED 2</b>	<i>Unused</i>
<b>INPUT 1</b>	Contact closure to ground (12 V RTN). Connect a <b>Panic/Call Button</b> using <i>Input 1</i> and 12 V RTN (GND).
<b>INPUT 2</b>	Contact closure to ground (12 V RTN). Connect a Volume Button or SNMP Variable/Trap contact using <i>Input 2</i> and 12 V RTN (GND).
<b>INPUT 3</b>	Contact closure to ground (12 V RTN). Connect a Volume Button or SNMP Variable/Trap contact using <i>Input 3</i> and 12 V RTN (GND).
<b>RELAY 1: NO</b>	Isolated dry contact closure. Normally Open.
<b>RELAY 1: COM</b>	Isolated dry contact closure. Common.
<b>RELAY 1: NC</b>	Isolated dry contact closure. Normally Closed.

## UNUSED

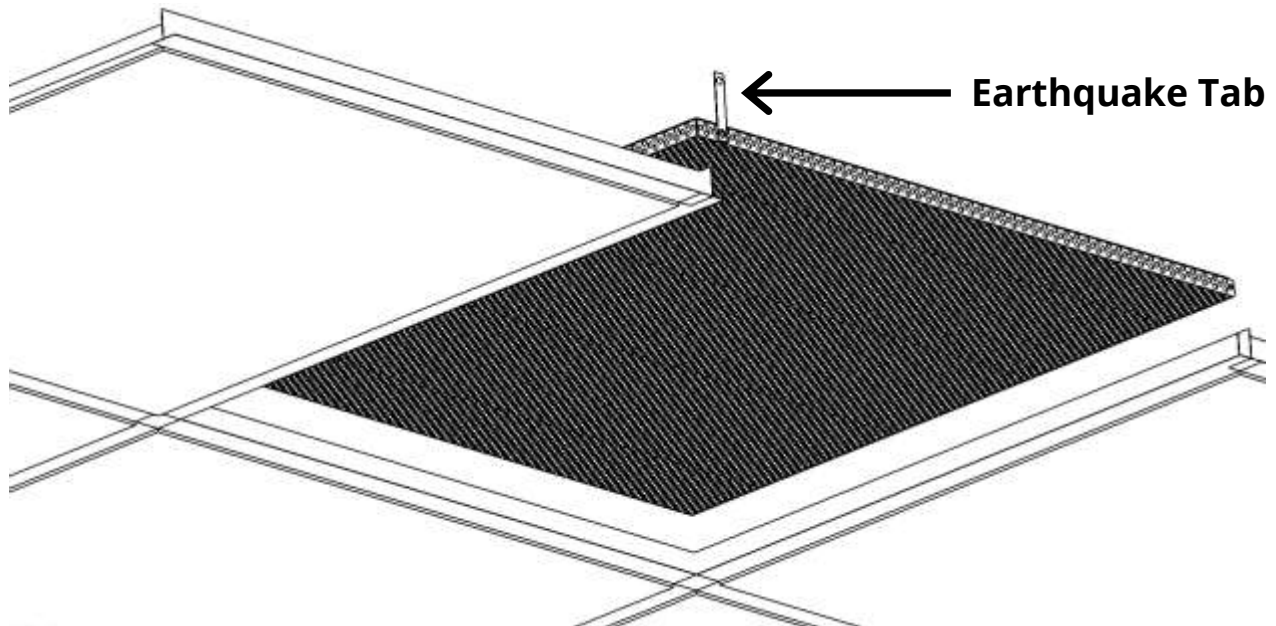
Not used at this time.

## LAN / POE

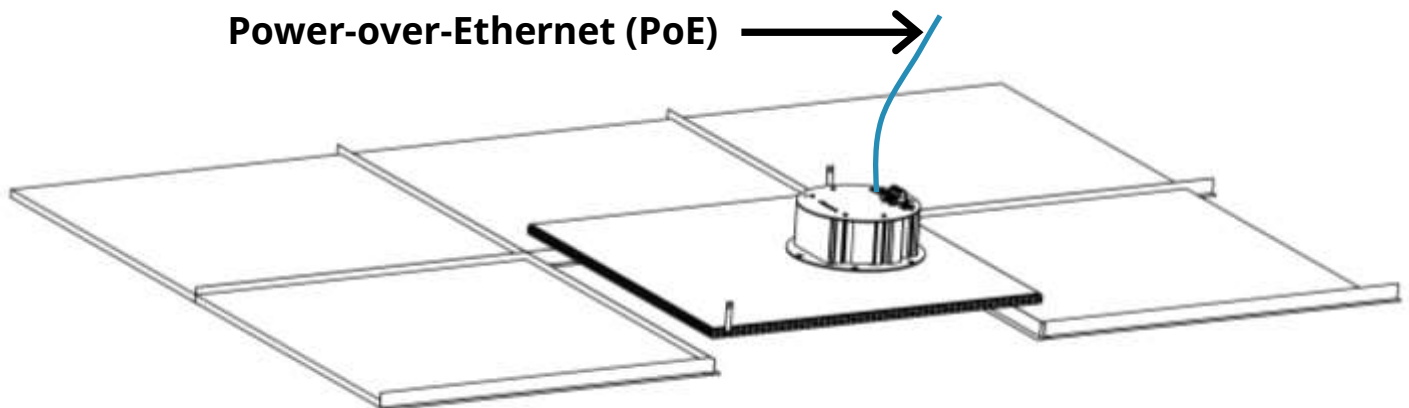
To use Power-over-Ethernet (PoE 802.3af), route a Cat 5e or Cat 6 Ethernet cable from a PoE switch to the LAN/POE port.

- Once the unit is successfully powered, the LINK/ACTV indicator LED will begin to blink.

## Installing in a 2x2 Grid Ceiling

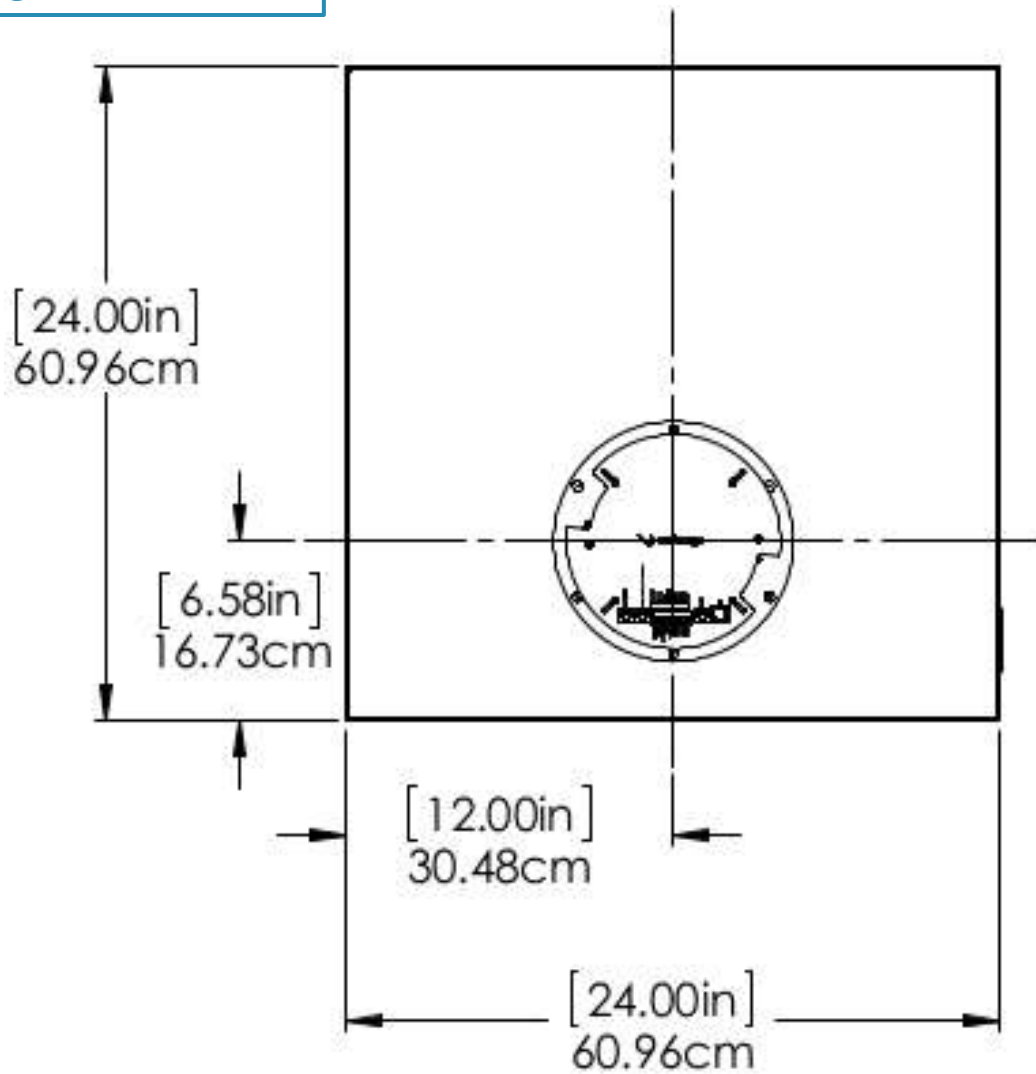


1. Lift earthquake tabs until perpendicular to the speaker frame.
2. Carefully angle and lift speaker and place into ceiling grid.
3. Insure that wires and cables are properly connected.
4. Attach earthquake tabs to secure speaker to structure per local building and electrical codes.

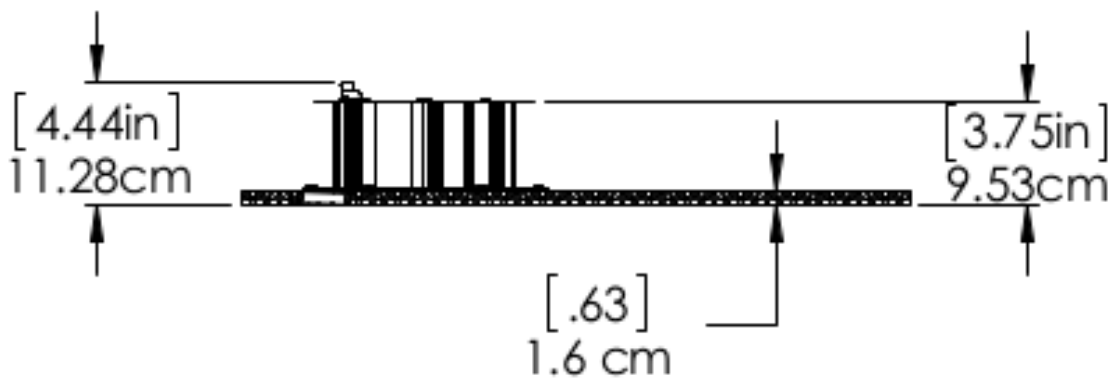


## Dimensions

### Length and Width



### Depth



## Standards Compliant

This product is designed and manufactured in the USA.

- ROHS compliant
- Industrial temperature -40C to +85C.





## **Carina 2x2 Ceiling Speaker**

WL-SPKR-22-CAR

WL-SPKR-22-2R

WL-SPKR-22-A

Installation Guide