



wahsega

Carina Double Sided Ceiling Mount IP Display

Installer's Guide



Getting Started

This step-by-step guide will help you install your Carina Double Sided Ceiling Mount IP Display.

What You Will Need

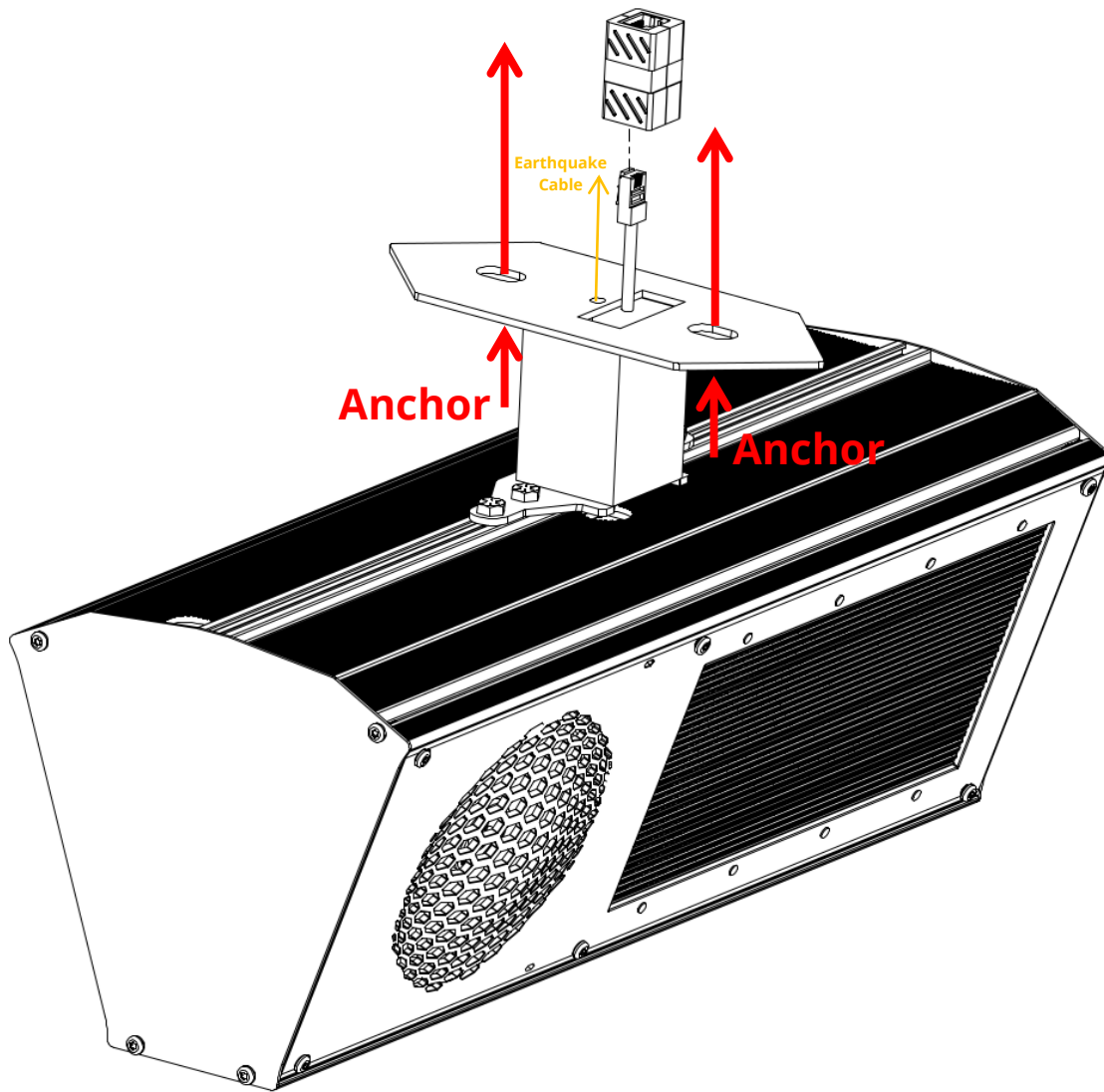
- **PoE power**
 - Standards compliant (IEEE 802.3af) POE switch

- **Remote communication point(s)**
 - Carina Event Manager
 - SIP server (such as Wahsega PICS), if using SIP

- **Network cable**
 - Cat 5e or Cat 6

- **Screwdrivers**
 - Small flat head screwdriver
 - Phillips head screwdriver

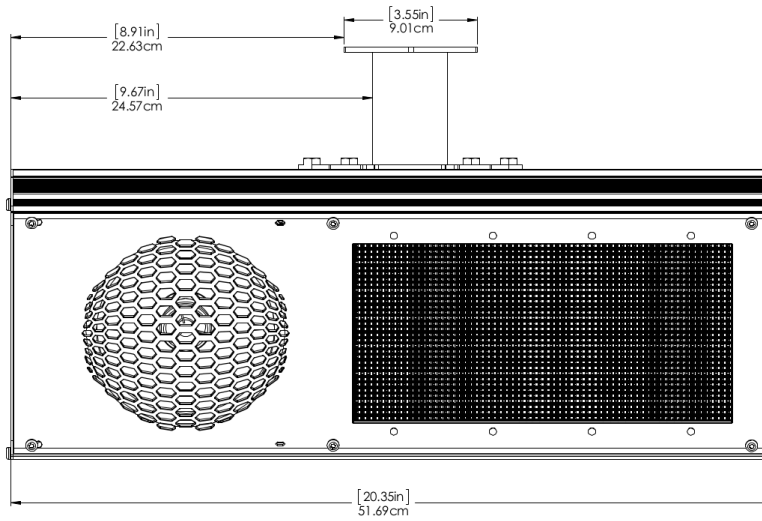
Mounting and Installation



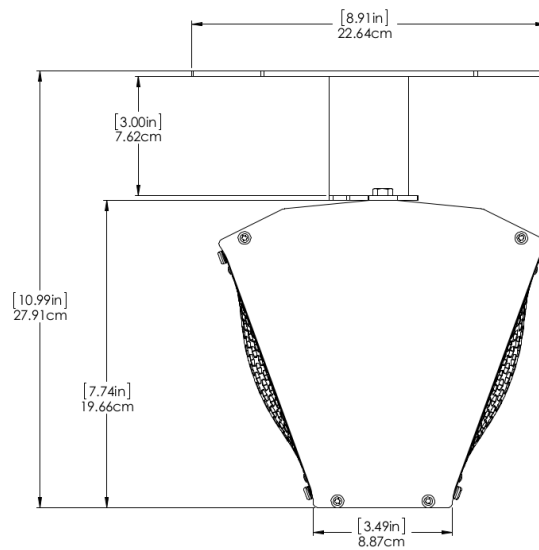
- Connect POE cable to connector at center, rectangular opening.
- Route earthquake cable through small circular opening and secure to structure per local building and electrical codes.
- Affix mounting bracket to a solid, horizontal surface using two bolts and anchors appropriate for that surface.
 - NOTE: For a suspended ceiling, Wahsega recommends using a Peerless-AV CMJ5R1 Adjustable Suspended Ceiling Plate.

Dimensions

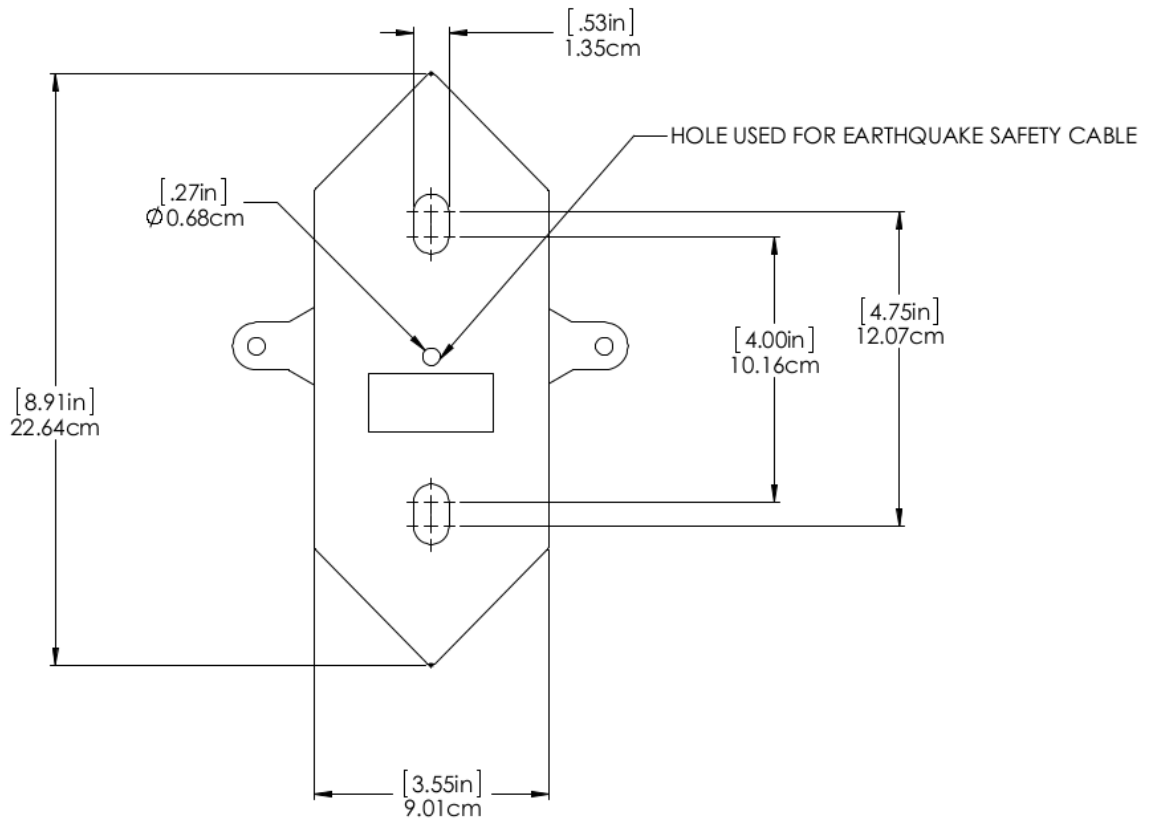
Front



Side



Bracket



Standards Compliant

This product is designed and manufactured in the USA.

- ROHS compliant
- Temperature rating -40C to +60C.



Wahsega Carina Double Sided Ceiling Mount IP Display

WL-IPD-SPKR-510D-CAR-TM

Installation Guide