



# wahsega

## **Double Sided Wall Mount IP Display**

### *Installer's Guide*



### **Getting Started**

This step-by-step guide will help you install your Carina Double Sided Wall Mount IP Display.

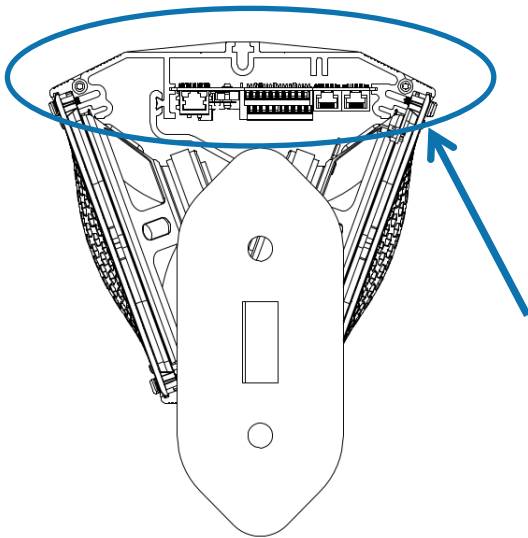
## What's In the Box

- **Double Sided Wall Mount IP Display**
  
- **Mounting Hardware**
  - (1) ¼"-20 2" Eye Bolt
  - (1) ¼" Flat Washer

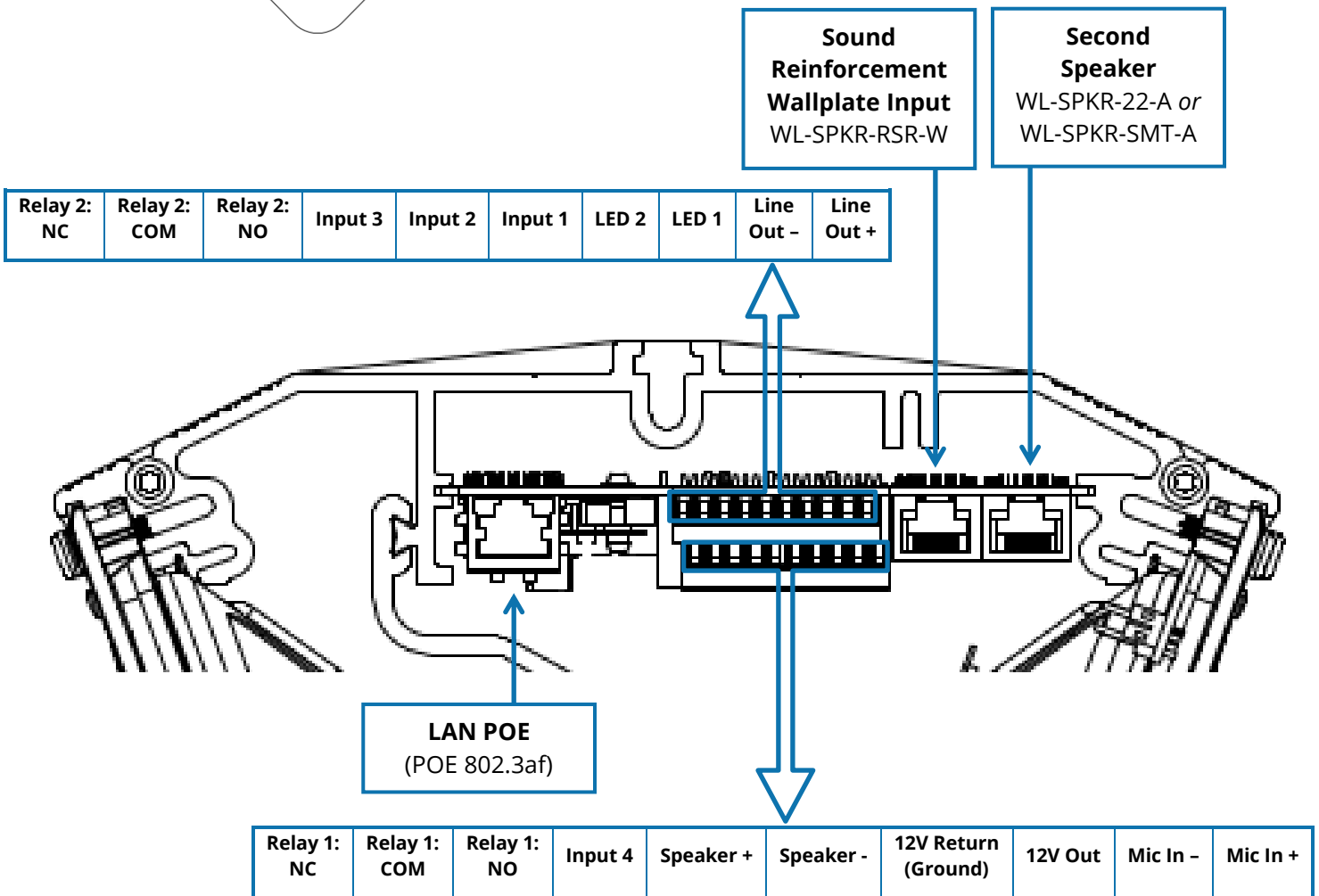
## What You Will Need

- **PoE power**
  - Standards compliant (IEEE 802.3af) POE switch
  
- **Remote communication point(s)**
  - Carina Event Manager
  - SIP server (such as Wahsega PICS), if using SIP
  
- **Network cable** (Cat 5e or Cat 6)
  
- **Screwdrivers**
  - Small flat head screwdriver
  - Phillips head screwdriver

## Wiring Your Wahsega IP Display



**Enlarged Area**



## SECOND SPEAKER

Connect to a Wahsega Extension Speaker up to 20m away via Cat5e or Cat6 cable.

- Use a straight cable. Do not use a crossover cable.
- Compatible models: WL-SPKR-22-A or WL-SPKR-SMT-A

## WALLPLATE INPUT

Connect to optional Wahsega Sound Reinforcement Input Panel up to 100ft away via Cat5e or Cat6 cable.

- Use a straight cable. Do not use a crossover cable.
- Compatible model: WL-SPKR-RSR-W

## TERMINAL BLOCKS

<b>MIC IN +</b>	<i>Unused</i>
<b>MIC IN -</b>	<i>Unused</i>
<b>12 V OUT</b>	Fused, nominal 12V output, max 0.5A. Subject to power capabilities of PoE.
<b>12 V RTN (GND)</b>	Ground
<b>SPKR -</b>	<i>Unused</i>
<b>SPKR +</b>	<i>Unused</i>
<b>INPUT 4</b>	Contact closure to ground ( <i>12 V RTN</i> ). Connect a Volume Button or SNMP Variable/Trap contact using <i>Input 4</i> and <i>12 V RTN (GND)</i> .
<b>RELAY 1: NO</b>	Isolated dry contact closure. Normally Open.
<b>RELAY 1: COM</b>	Isolated dry contact closure. Common.
<b>RELAY 1: NC</b>	Isolated dry contact closure. Normally Closed.

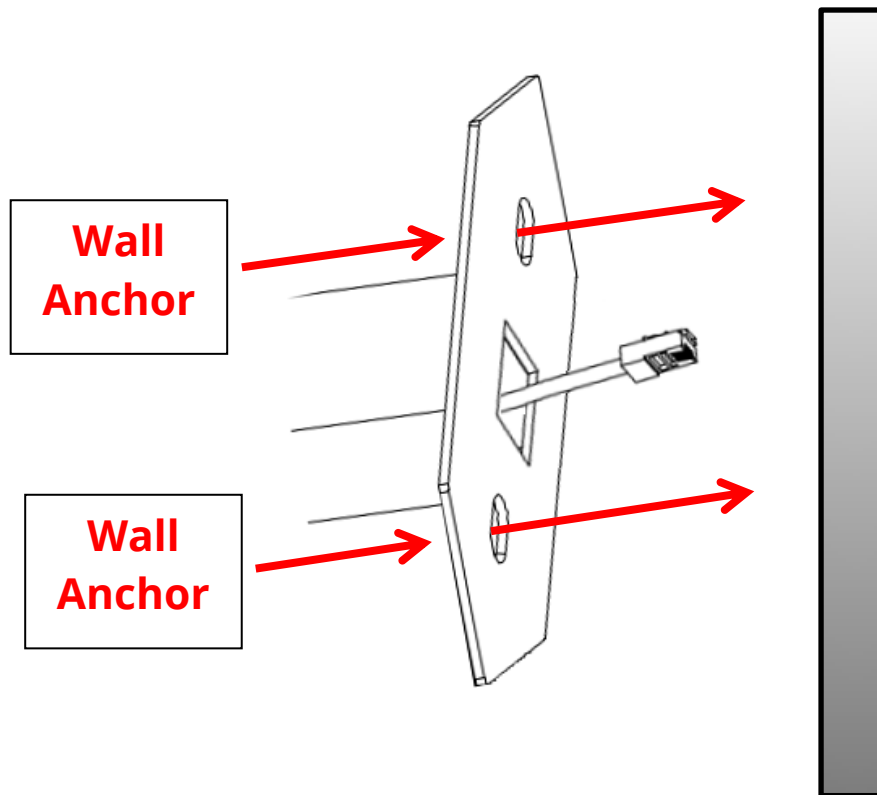
<b>LINE OUT +</b>	Consumer line input level (-10dBV)
<b>LINE OUT -</b>	Consumer line input level (-10dBV)
<b>LED 1</b>	<i>Unused</i>
<b>LED 2</b>	<i>Unused</i>
<b>INPUT 1</b>	Contact closure to ground (12 V RTN). Connect a <b>Panic/Call Button</b> using <i>Input 1</i> and 12 V RTN (GND).
<b>INPUT 2</b>	Contact closure to ground (12 V RTN). Connect a Volume Button or SNMP Variable/Trap contact using <i>Input 2</i> and 12 V RTN (GND).
<b>INPUT 3</b>	Contact closure to ground (12 V RTN). Connect a Volume Button or SNMP Variable/Trap contact using <i>Input 3</i> and 12 V RTN (GND).
<b>RELAY 2: NO</b>	Isolated dry contact closure. Normally Open.
<b>RELAY 2: COM</b>	Isolated dry contact closure. Common.
<b>RELAY 2: NC</b>	Isolated dry contact closure. Normally Closed.

## LAN / POE

To use Power-over-Ethernet (PoE 802.3af), route a Cat 5e or Cat 6 Ethernet cable from a PoE switch to the LAN/POE port.

- Once the unit is successfully powered, the LINK/ACTV indicator LED will begin to blink.

## Mounting and Installation



Affix mounting bracket to a solid, vertical wall surface using two bolts and anchors appropriate for that surface.

Route cabling through center, rectangular opening.

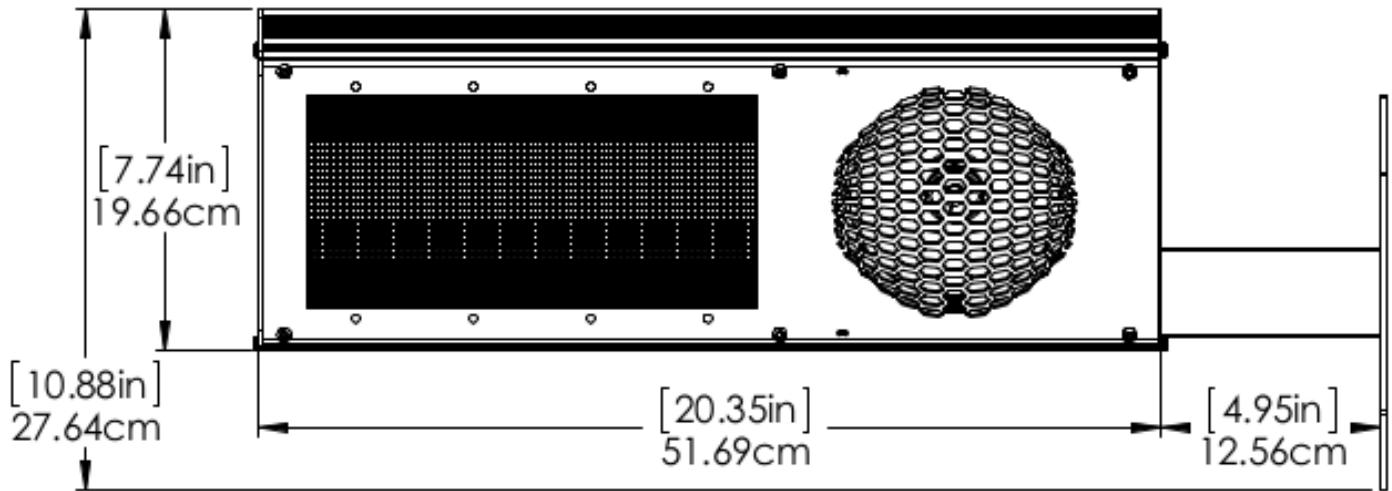


For earthquake cable, affix included eye bolt and flat washer to tee-nut at the far end of the IP Display. Attach cable to eye bolt and secure to structure per local building and electrical codes.

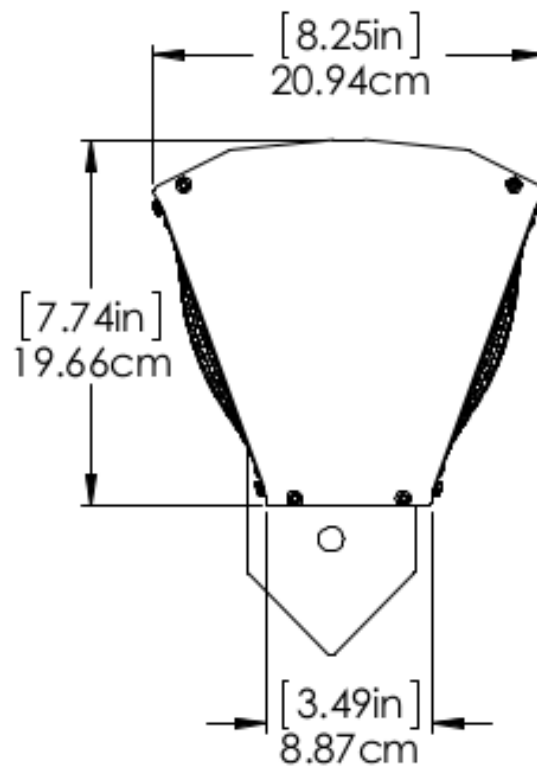


## Dimensions

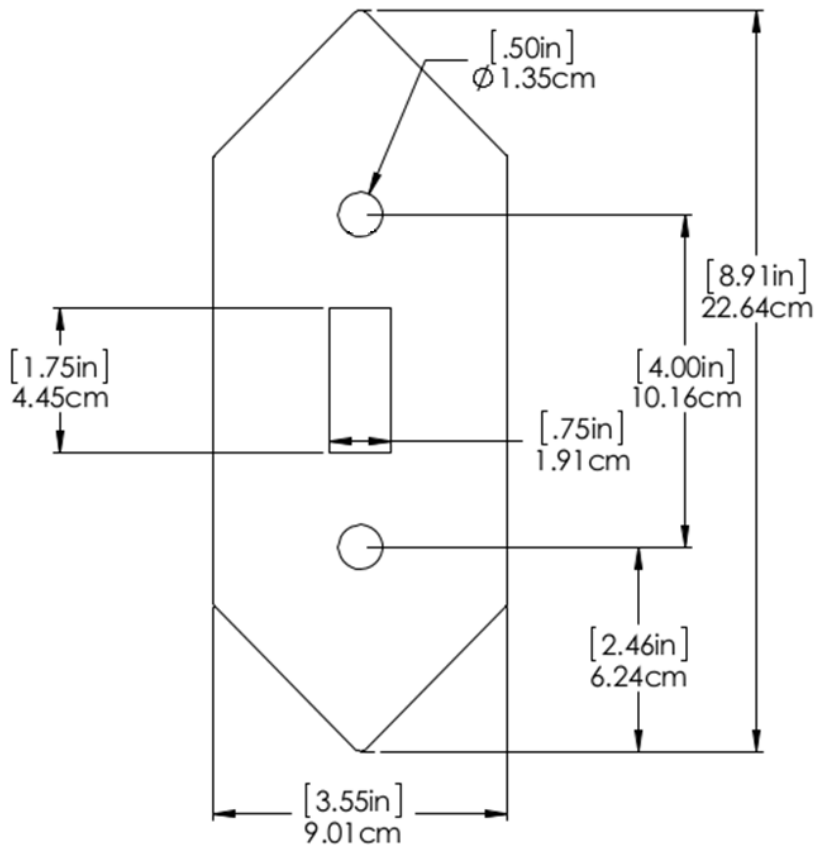
### Front



### Side



Bracket



## Standards Compliant

This product is designed and manufactured in the USA.

- ROHS compliant
- Temperature rating -40C to +60C.



# **Wahsega Double Sided Wall Mount IP Display**

**WL-IPD-SPKR-510D-CAR**

## **Installation Guide**