



Carina Event Manager

Installer's Guide



Getting Started

This step-by-step guide will help you install your Wahsega Event Manager.

What's in the Box



(1) Carina Event Manager

(1) 2-Pin male connector

(1) Ferrite cable clamp

What You Will Need

- **PoE power**
 - Power-over-Ethernet (PoE 802.3af) switch
or
 - +9-16VDC power

- **Network cable** (Cat 5e or Cat 6)

Wiring

Power

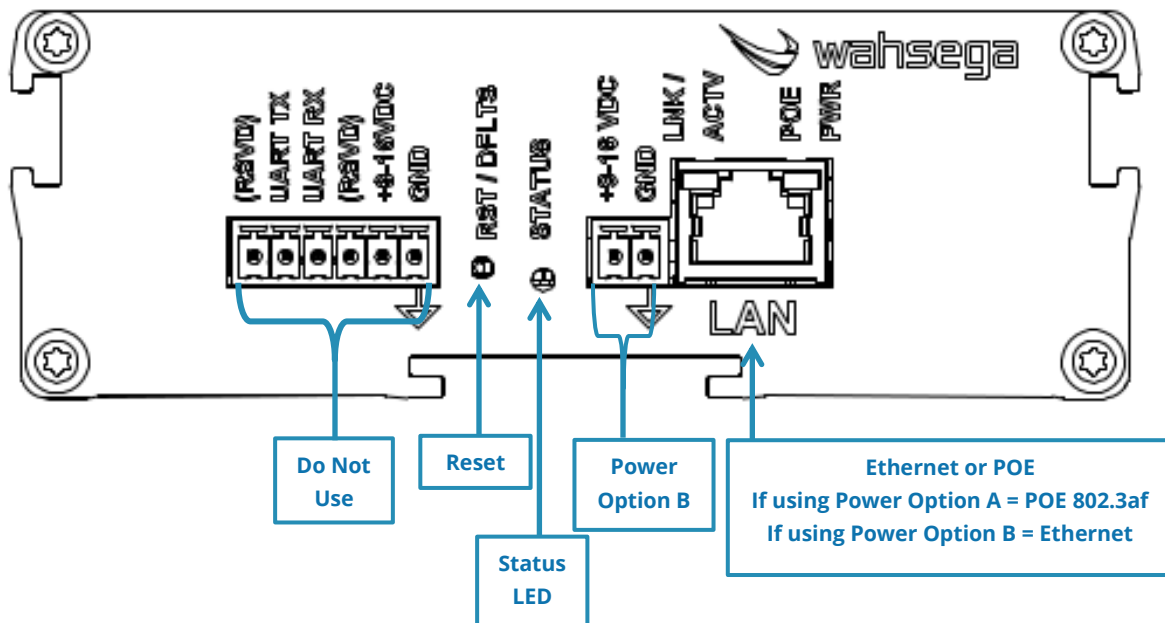
Option A: To use Power-over-Ethernet (POE 802.3af), route a Cat 5e or Cat 6 Ethernet cable from a PoE switch or injector to the LAN port.

Option B: Alternately, use the included 2-pin male connector to connect +9-16VDC and Ground wires for power. Use standard (unpowered) Ethernet for data.

NOTE: Use either POE or 9-16V for power. DO NOT USE BOTH.

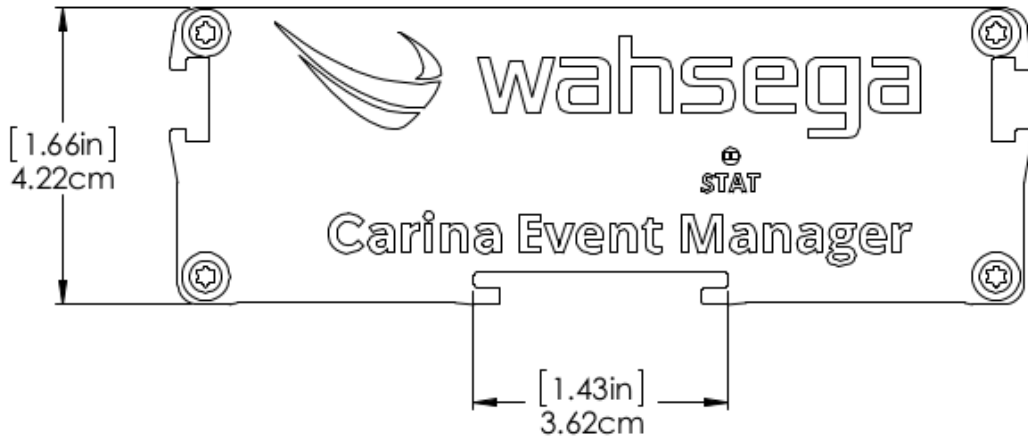
Status

The status LED will increase in brightness as the Event Manager is powering up and will remain steadily lit when the unit is successfully powered.

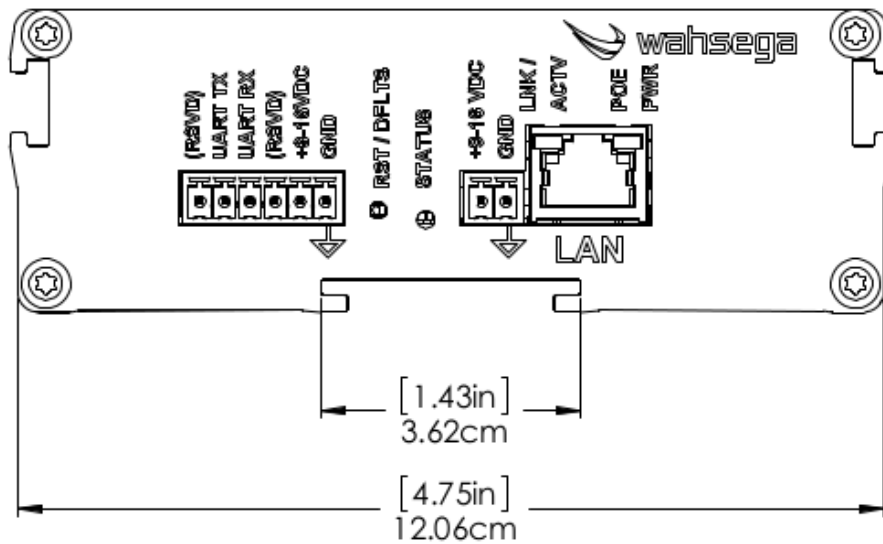


Dimensions

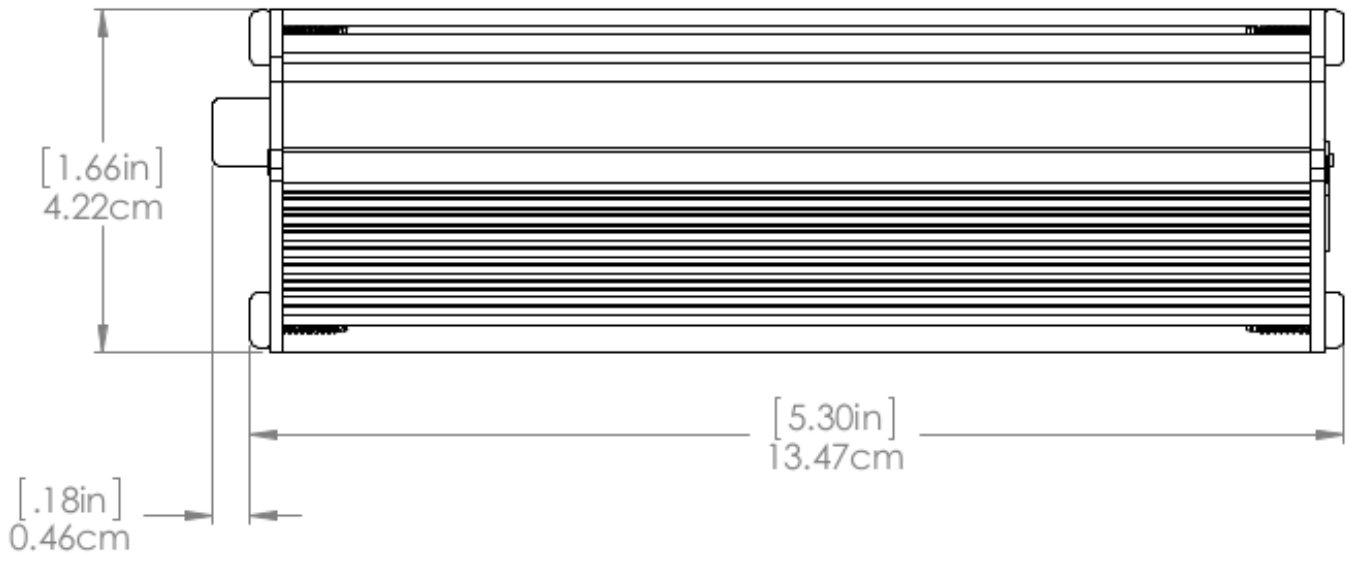
Front



Rear



Side



Standards Compliant

This product is designed and manufactured in the USA.

- ROHS compliant
- Temperature rating -40C to +60C.



Wahsega Carina Event Manager

WL-EM-CAR

Installation Guide