



wahsega

Carina Large IP Display

Installer's Guide



Getting Started

This step-by-step guide will help you install your Carina IP Display.

What's In the Box

- **IP Display**

- **(2) Mounting brackets**

- **Mounting hardware**
 - (8) #6-32 Screws
 - (8) #6 lock washers
 - (16) #8-32 Screws
 - (16) #8 lock washers

What You Will Need

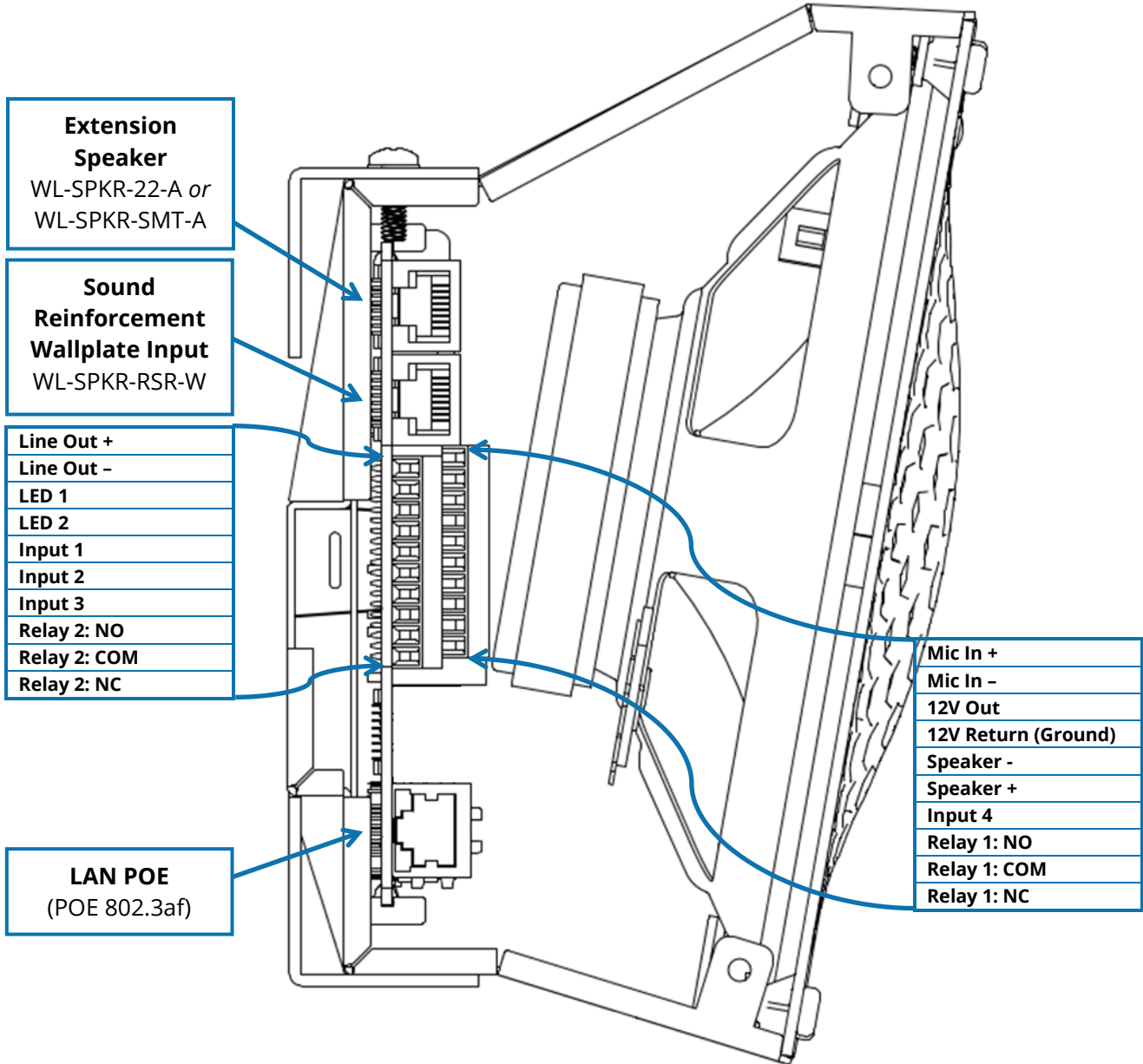
- **PoE power**
 - Standards compliant (IEEE 802.3af) POE switch

- **Remote communication point(s)**
 - Carina Event Manager
 - SIP server (such as Wahsega PICS), if using SIP

- **Network cable** (Cat 5e or Cat 6)

- **Screwdrivers**
 - Small flat head screwdriver
 - Phillips head screwdriver

Wiring Your Wahsega IP Display



SECOND SPEAKER

Connect to a Wahsega Extension Speaker up to 20m away via Cat5e or Cat6 cable.

- Use a straight cable. Do not use a crossover cable.
- Compatible models: WL-SPKR-22-A or WL-SPKR-SMT-A

WALLPLATE INPUT

Connect to optional Wahsega Sound Reinforcement Input Panel up to 100ft away via Cat5e or Cat6 cable.

- Use a straight cable. Do not use a crossover cable.
- Compatible model: WL-SPKR-RSR-W

TERMINAL BLOCKS

MIC IN +	<i>Unused</i>
MIC IN -	<i>Unused</i>
12 V OUT	Fused, nominal 12V output, max 0.5A. Subject to power capabilities of PoE.
12 V RTN (GND)	Ground
SPKR -	<i>Unused</i>
SPKR +	<i>Unused</i>
INPUT 4	Contact closure to ground (<i>12 V RTN</i>). Connect a Volume Button or SNMP Variable/Trap contact using <i>Input 4</i> and <i>12 V RTN (GND)</i> .
RELAY 1: NO	Isolated dry contact closure. Normally Open.
RELAY 1: COM	Isolated dry contact closure. Common.
RELAY 1: NC	Isolated dry contact closure. Normally Closed.

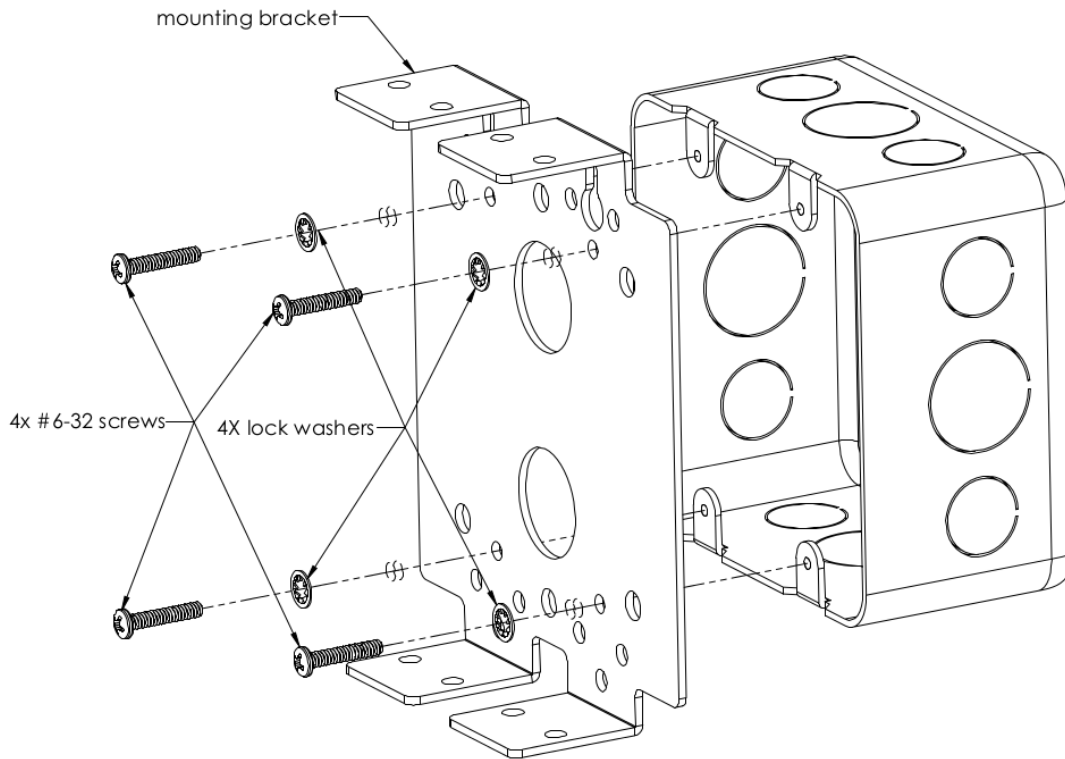
LINE OUT +	Consumer line input level (-10dBV)
LINE OUT -	Consumer line input level (-10dBV)
LED 1	<i>Unused</i>
LED 2	<i>Unused</i>
INPUT 1	Contact closure to ground (12 V RTN). Connect a Panic/Call Button using <i>Input 1</i> and 12 V RTN (GND).
INPUT 2	Contact closure to ground (12 V RTN). Connect a Volume Button or SNMP Variable/Trap contact using <i>Input 2</i> and 12 V RTN (GND).
INPUT 3	Contact closure to ground (12 V RTN). Connect a Volume Button or SNMP Variable/Trap contact using <i>Input 3</i> and 12 V RTN (GND).
RELAY 2: NO	Isolated dry contact closure. Normally Open.
RELAY 2: COM	Isolated dry contact closure. Common.
RELAY 2: NC	Isolated dry contact closure. Normally Closed.

LAN / POE

To use Power-over-Ethernet (PoE 802.3af), route a Cat 5e or Cat 6 Ethernet cable from a PoE switch to the LAN/POE port.

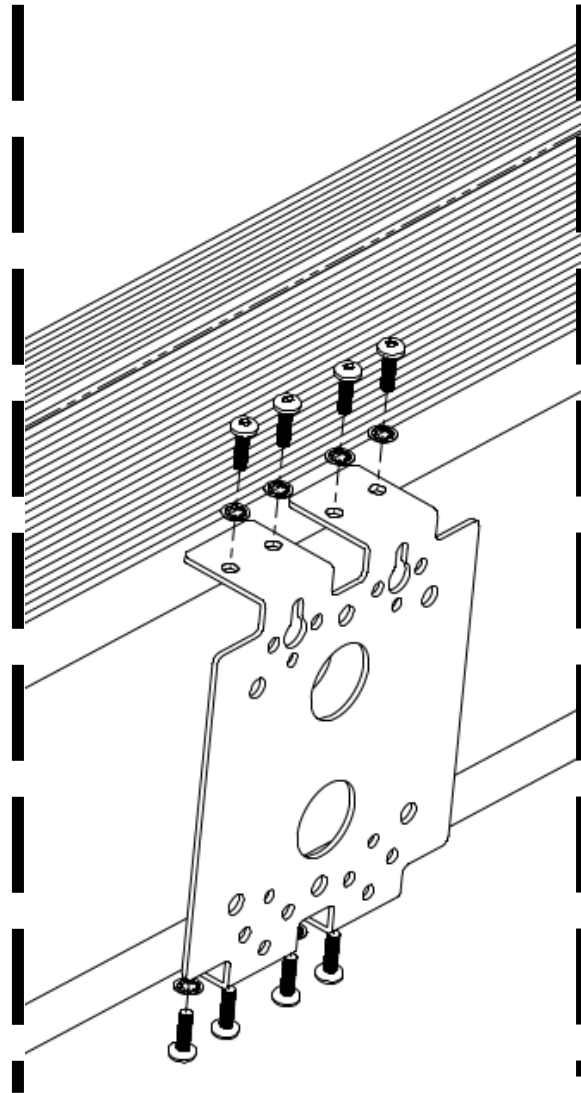
- Once the unit is successfully powered, the LINK/ACTV indicator LED will begin to blink.

Mounting and Installation

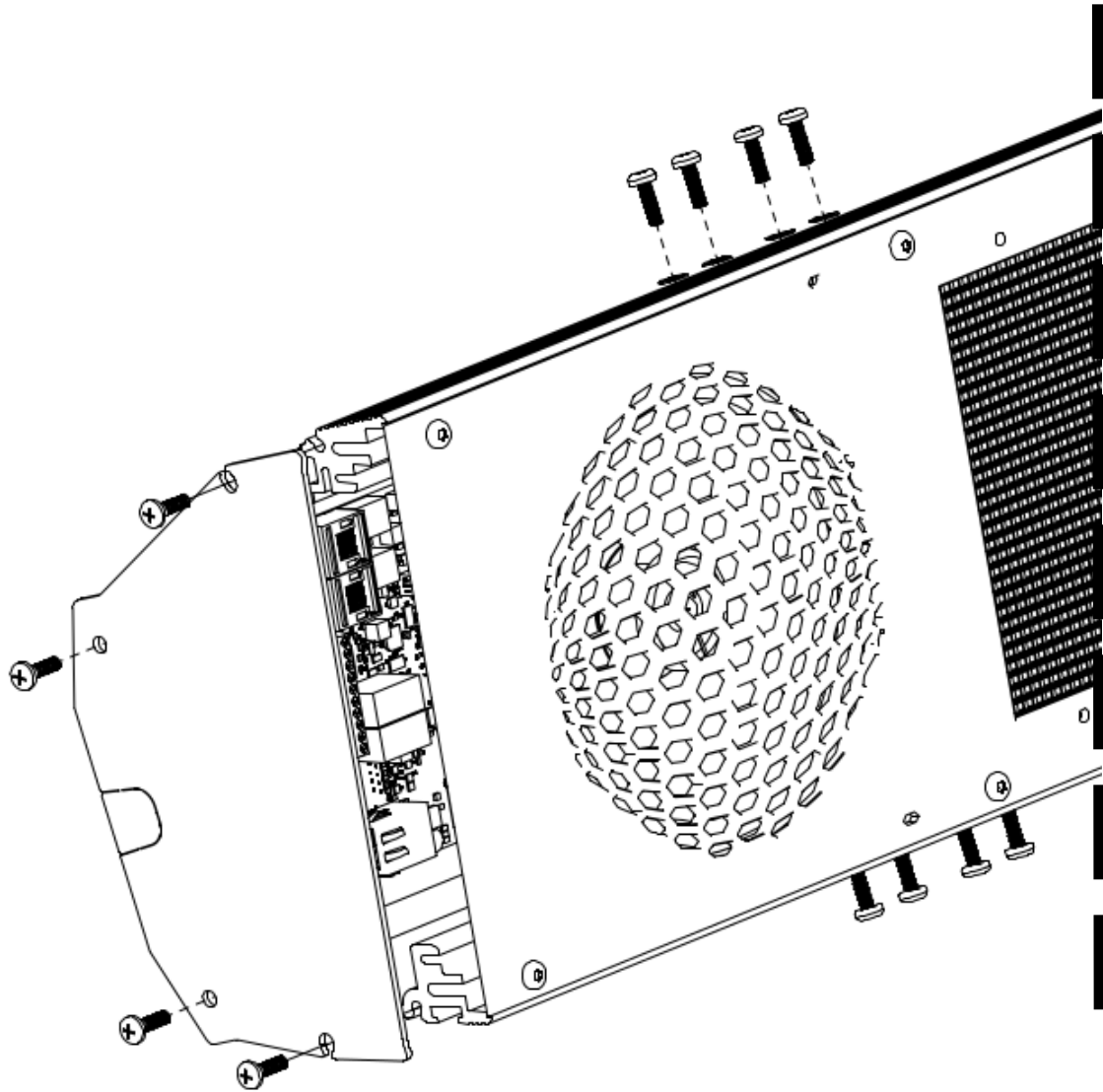


Mount each included bracket to the front of a standard two-gang electrical backbox (preferred), using (4) included #6-32 screws and lock washers per bracket.

If mounting brackets to a solid surface rather than to an electrical backbox, use the appropriate bolts and anchors for that surface.



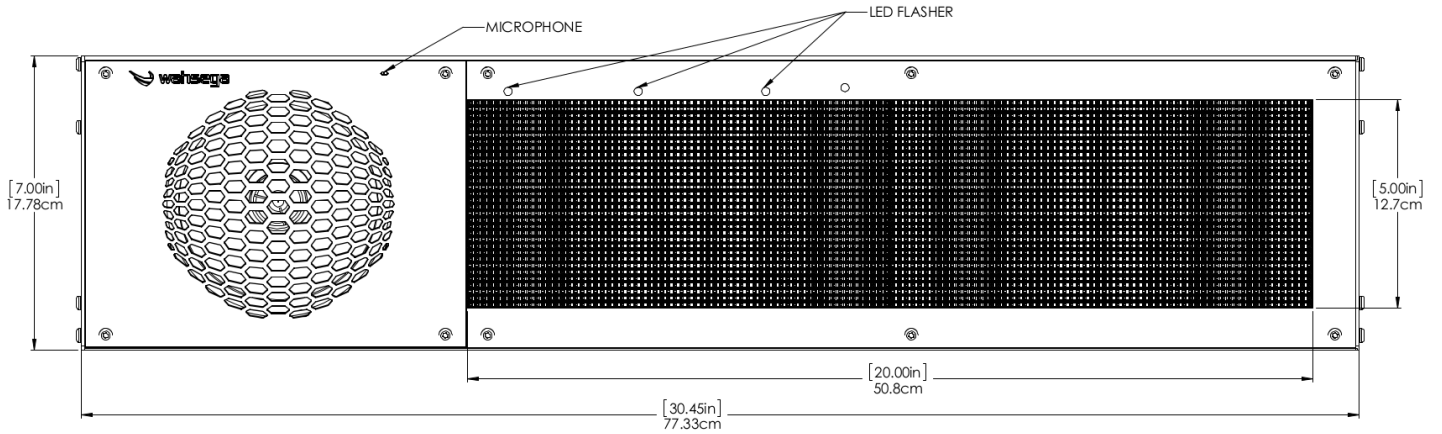
Attach IP Display to brackets using included (8) #8-32 screws and washers per bracket.



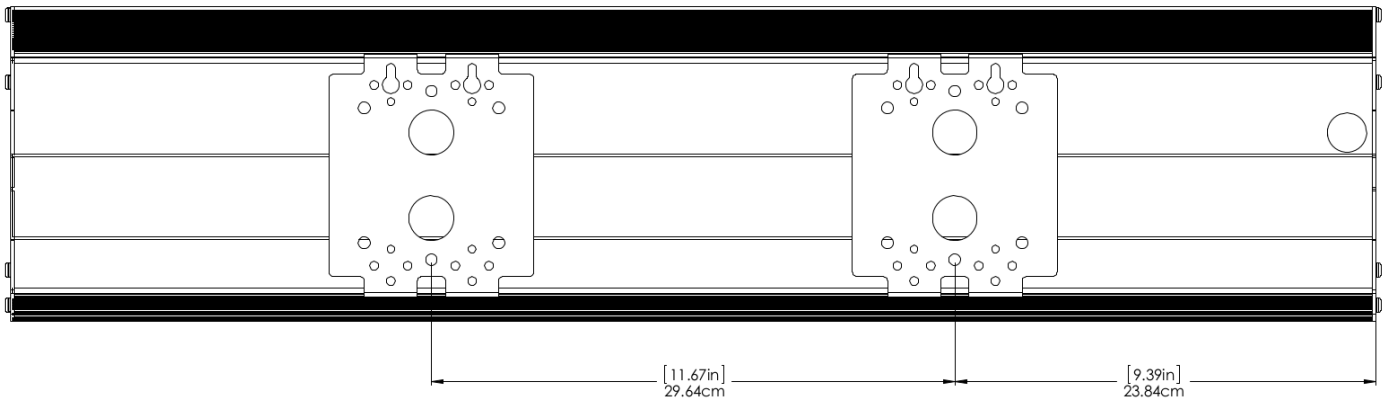
Cable access is available through rear opening or side panel knockout.

Dimensions

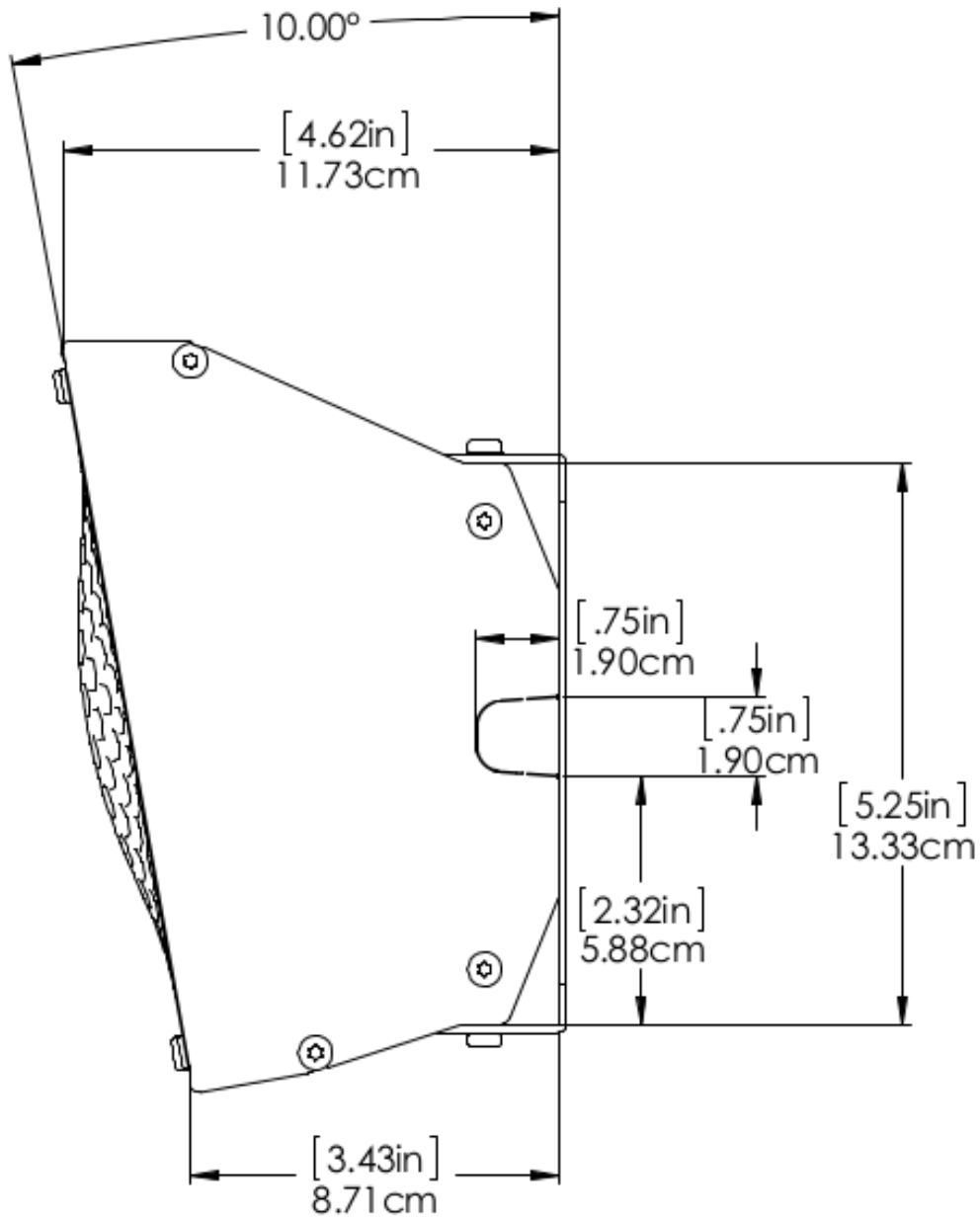
Front



Rear



Side



Standards Compliant

This product is designed and manufactured in the USA.

- ROHS compliant
- Temperature rating -40C to +60C.



Wahsega Carina Large IP Display

WL-IPD-SPKR-520-CAR

Installation Guide