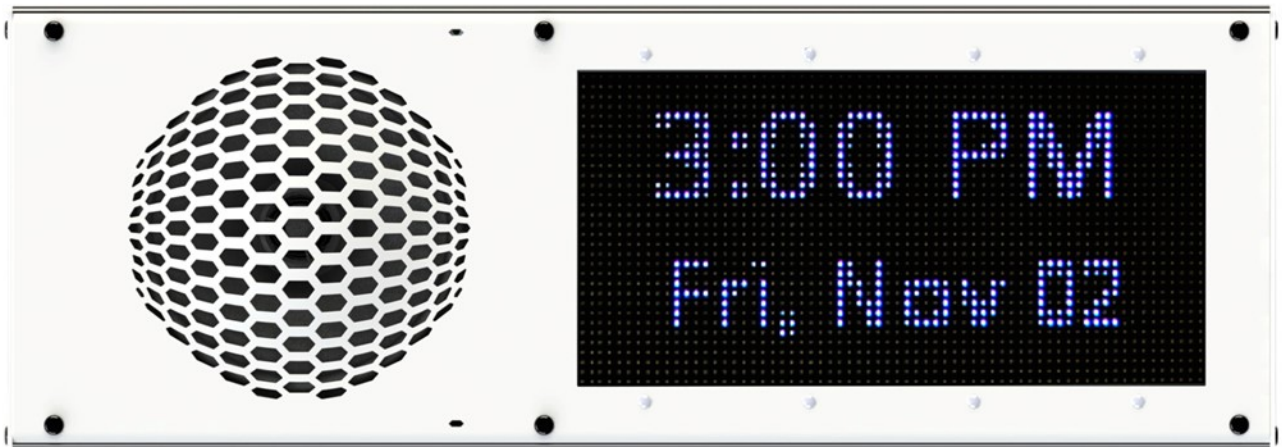




# wahsega

## Carina Small IP Display

### *Installer's Guide*



### **Getting Started**

This step-by-step guide will help you install your Carina IP Display.

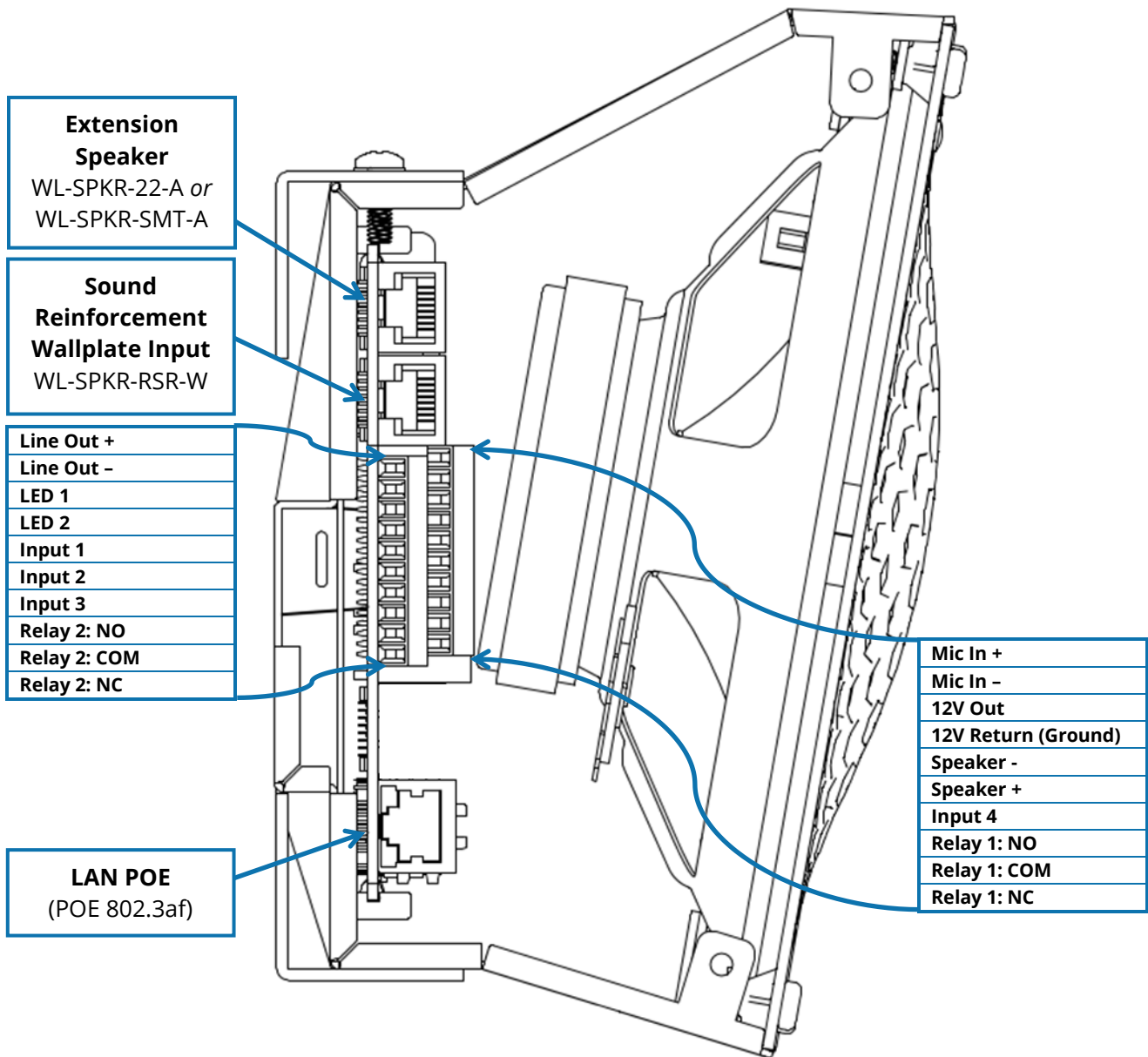
## What's In the Box

- **IP Display**
  
- **Mounting bracket**
  
- **Mounting hardware**
  - (4) #6-32 Screws
  - (4) #6 lock washers
  - (8) #8-32 Screws
  - (8) #8 lock washers

## What You Will Need

- **PoE power**
  - Standards compliant (IEEE 802.3af) POE switch
  
- **Remote communication point(s)**
  - Carina Event Manager
  - SIP server (such as Wahsega PICS), if using SIP
  
- **Network cable** (Cat 5e or Cat 6)
  
- **Screwdrivers**
  - Small flat head screwdriver
  - Phillips head screwdriver

## Wiring Your Wahsega IP Display



## SECOND SPEAKER

Connect to a Wahsega Extension Speaker up to 20m away via Cat5e or Cat6 cable.

- Use a straight cable. Do not use a crossover cable.
- Compatible models: WL-SPKR-22-A or WL-SPKR-SMT-A

## WALLPLATE INPUT

Connect to optional Wahsega Sound Reinforcement Input Panel up to 100ft away via Cat5e or Cat6 cable.

- Use a straight cable. Do not use a crossover cable.
- Compatible model: WL-SPKR-RSR-W

## TERMINAL BLOCKS

|                       |  |
|-----------------------|--|
| <b>MIC IN +</b>       | <i>Unused</i>  |
| <b>MIC IN -</b>       | <i>Unused</i>  |
| <b>12 V OUT</b>       | Fused, nominal 12V output, max 0.5A. Subject to power capabilities of PoE.   |
| <b>12 V RTN (GND)</b> | Ground   |
| <b>SPKR -</b>         | <i>Unused</i>  |
| <b>SPKR +</b>         | <i>Unused</i>  |
| <b>INPUT 4</b>        | Contact closure to ground ( <i>12 V RTN</i> ).<br>Connect a Volume Button or SNMP Variable/Trap contact using <i>Input 4</i> and <i>12 V RTN (GND)</i> . |
| <b>RELAY 1: NO</b>    | Isolated dry contact closure. Normally Open.   |
| <b>RELAY 1: COM</b>   | Isolated dry contact closure. Common.  |
| <b>RELAY 1: NC</b>    | Isolated dry contact closure. Normally Closed.   |

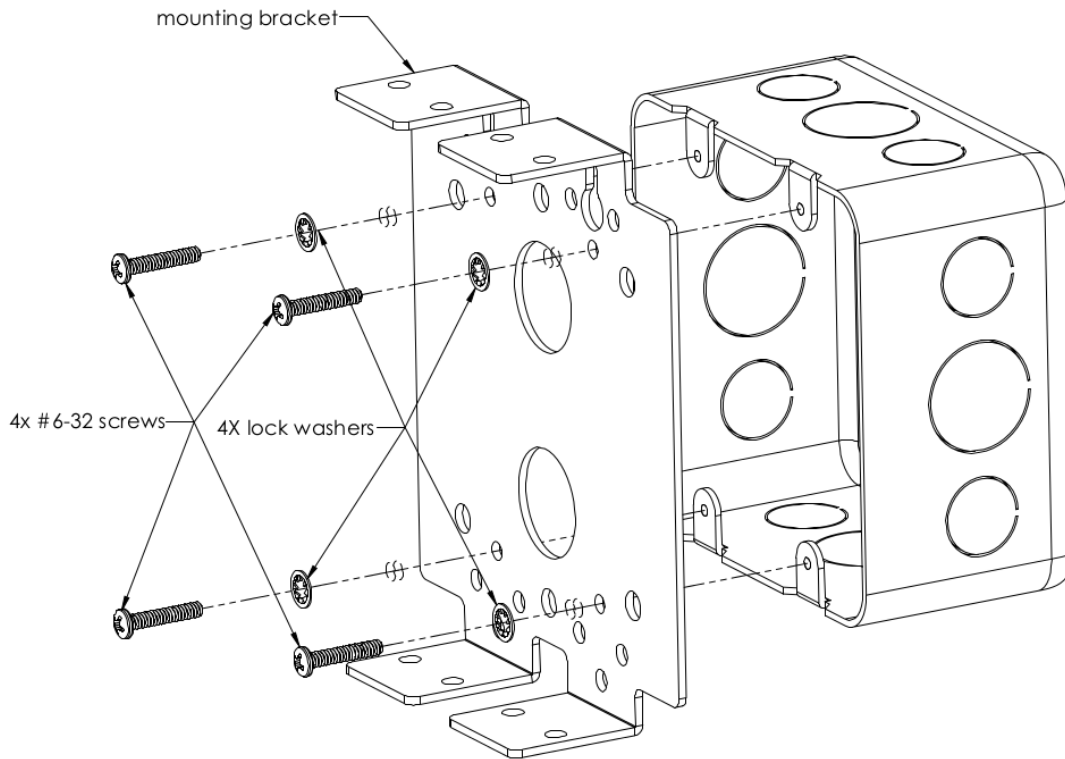
|                     |   |
|---------------------|---|
| <b>LINE OUT +</b>   | Consumer line input level (-10dBV)  |
| <b>LINE OUT -</b>   | Consumer line input level (-10dBV)  |
| <b>LED 1</b>        | <i>Unused</i>   |
| <b>LED 2</b>        | <i>Unused</i>   |
| <b>INPUT 1</b>      | Contact closure to ground (12 V RTN).<br>Connect a <b>Panic/Call Button</b> using <i>Input 1</i> and 12 V RTN (GND).                    |
| <b>INPUT 2</b>      | Contact closure to ground (12 V RTN).<br>Connect a Volume Button or SNMP Variable/Trap contact using <i>Input 2</i> and 12 V RTN (GND). |
| <b>INPUT 3</b>      | Contact closure to ground (12 V RTN).<br>Connect a Volume Button or SNMP Variable/Trap contact using <i>Input 3</i> and 12 V RTN (GND). |
| <b>RELAY 2: NO</b>  | Isolated dry contact closure. Normally Open.  |
| <b>RELAY 2: COM</b> | Isolated dry contact closure. Common.   |
| <b>RELAY 2: NC</b>  | Isolated dry contact closure. Normally Closed.  |

## LAN / POE

To use Power-over-Ethernet (PoE 802.3af), route a Cat 5e or Cat 6 Ethernet cable from a PoE switch to the LAN/POE port.

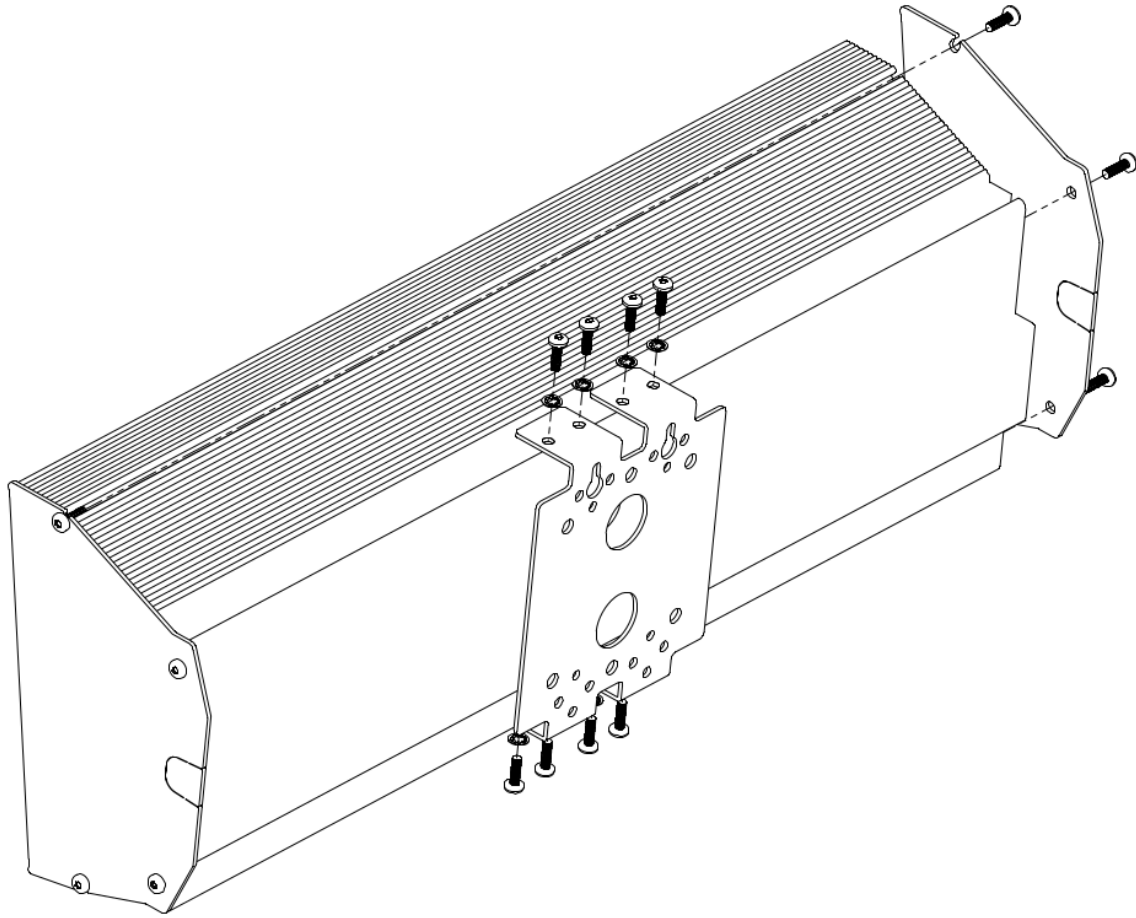
- Once the unit is successfully powered, the LINK/ACTV indicator LED will begin to blink.

## Mounting and Installation



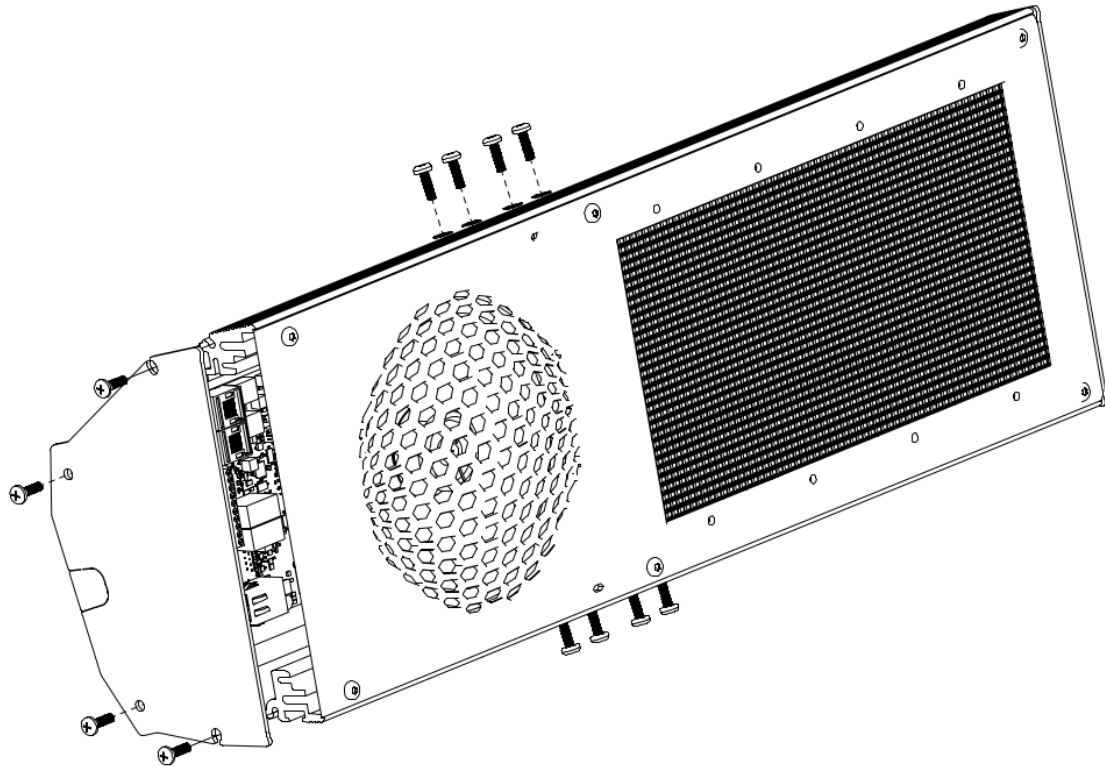
Mount each included bracket to the front of a standard two-gang electrical backbox (preferred), using (4) included #6-32 screws and lock washers per bracket.

If mounting bracket to a solid surface rather than to an electrical backbox, use the appropriate bolts and anchors for that surface.



Attach speaker to bracket using included (8) #8-32 screws and washers.

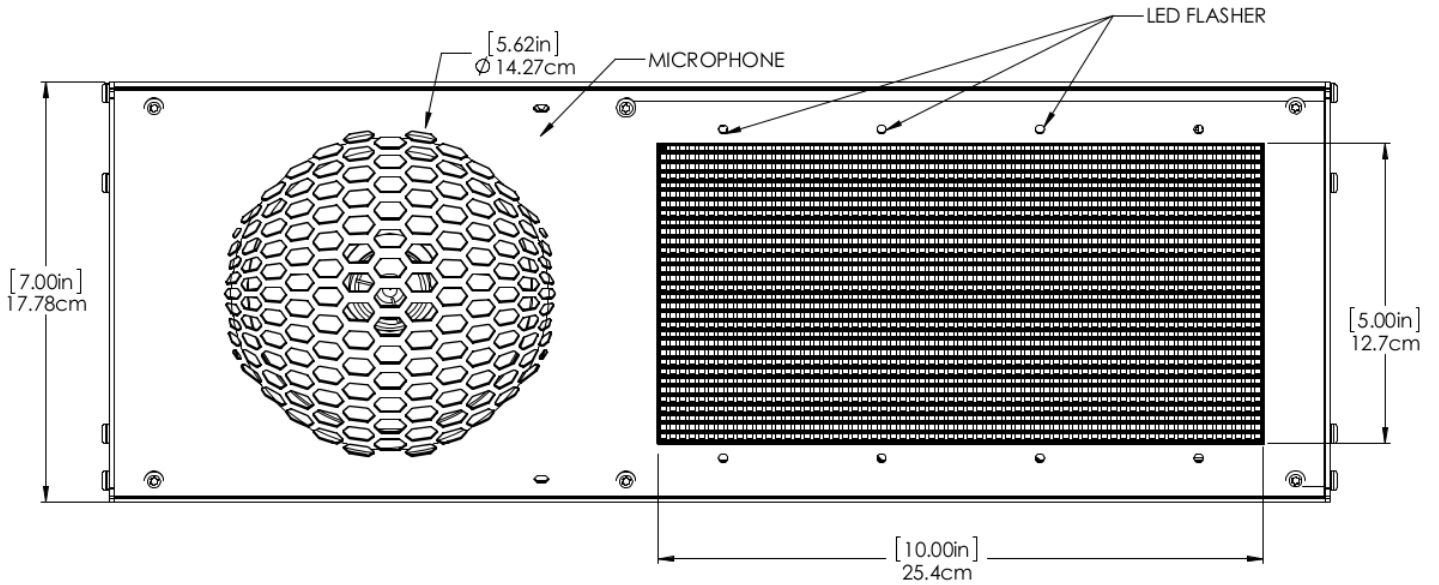




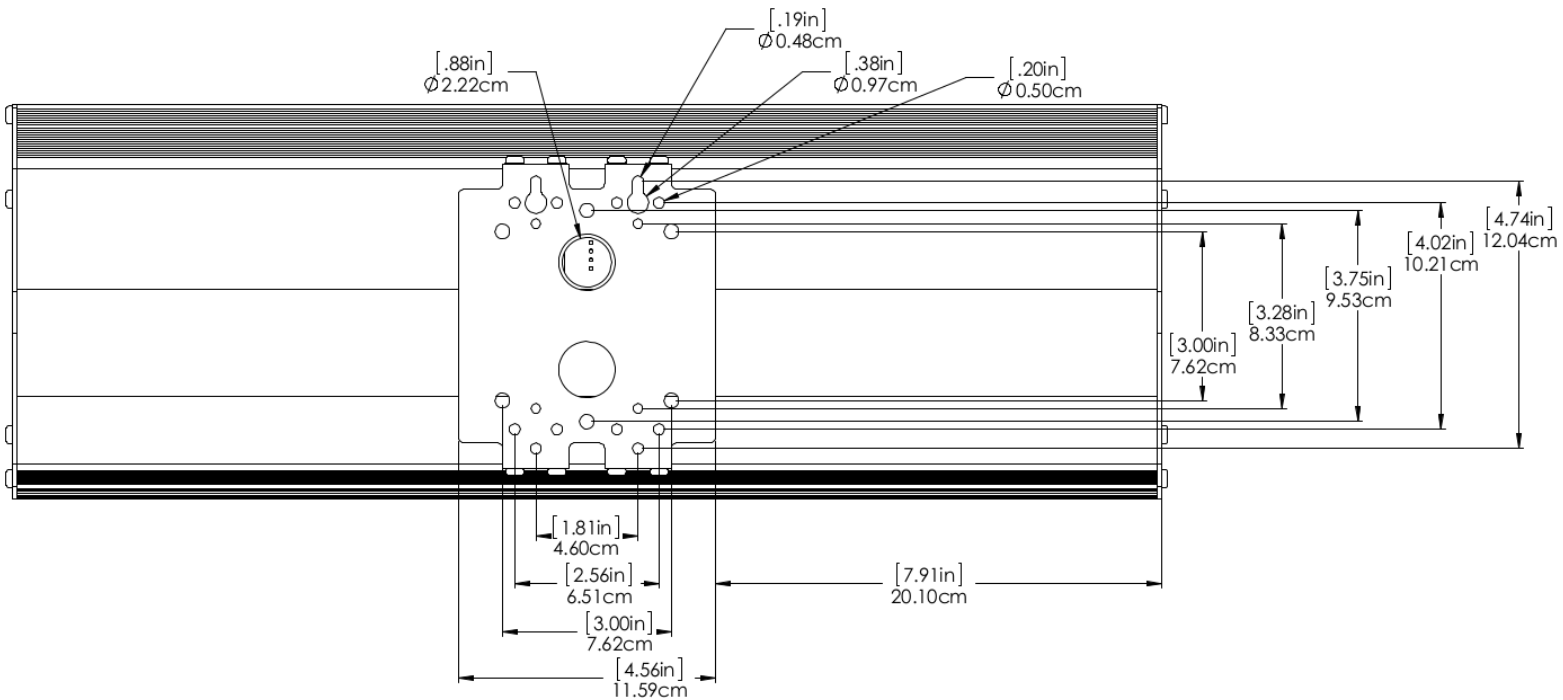
Cable access is available through rear opening or side panel knockout.

## Dimensions

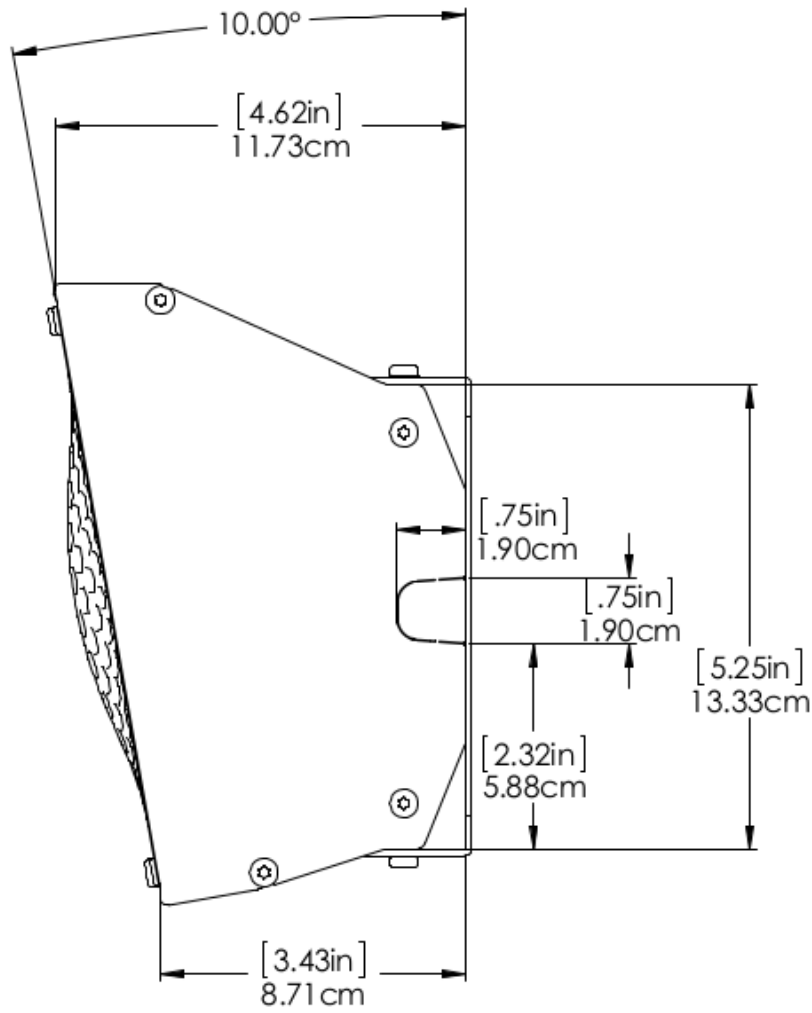
### Front



### Rear



Side



## Standards Compliant

This product is designed and manufactured in the USA.

- ROHS compliant
- Temperature rating -40C to +60C.



# **Wahsega Carina Small IP Display**

WL-IPD-SPKR-510-CAR

## **Installation Guide**