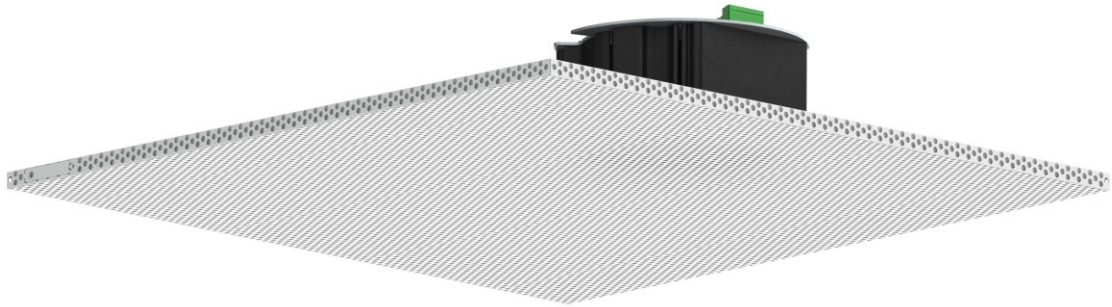




# wahsega

## 2x2 Ceiling Extension Speaker

### *Installer's Guide*



### **Getting Started**

This step-by-step guide will help you install your Wahsega 2x2 Ceiling Extension Speaker.

## What You Will Need

- **Wahsega primary speaker**

- Compatible models:

WL-SPKR-22-CAR

WL-SPKR-22-INF

WL-SPKR-22-CAR-2CH

WL-SPKR-22-INF-2CH

WL-SPKR-SMT-CAR

WL-SPKR-SMT-INF

WL-SPKR-SMT-CAR-2CH

WL-SPKR-SMT-INF-2CH

WL-IPD-SPKR-510-CAR

WL-IPD-SPKR-510-INF

WL-IPD-SPKR-510-CAR-2CH

WL-IPD-SPKR-510-INF-2CH

WL-IPD-SPKR-520-CAR

WL-IPD-SPKR-520-INF

WL-IPD-SPKR-510D-CAR

WL-IPD-SPKR-510D-INF

WL-IPD-SPKR-510D-CAR-TM

WL-IPD-SPKR-510D-INF-TM

WL-IPD-SPKR-540-CAR

WL-IPD-SPKR-540-INF

- **Network cable**

- Cat 5e or Cat 6 straight cable

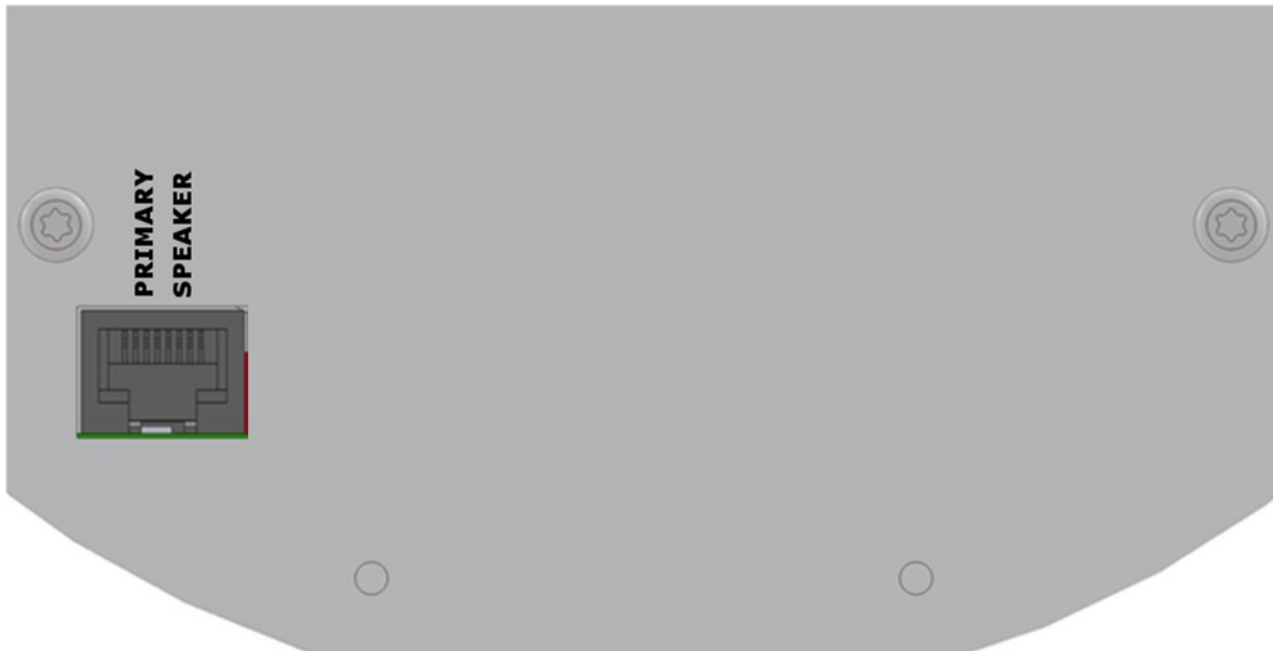
- **Screwdrivers**

- Small flat head screwdriver
  - Phillips head screwdriver

## Wiring Your Wahsega Speaker



Enlarged Area



## PRIMARY SPEAKER CONNECTION

The -A speaker receives its power and data from a Wahsega primary speaker. Connect a Cat5e or Cat6 straight cable to the primary speaker up to 20m away. Do not use a crossover cable.

- Compatible models:

WL-SPKR-22-CAR

WL-SPKR-22-INF

WL-SPKR-22-CAR-2CH

WL-SPKR-22-INF-2CH

WL-SPKR-SMT-CAR

WL-SPKR-SMT-INF

WL-SPKR-SMT-CAR-2CH

WL-SPKR-SMT-INF-2CH

WL-IPD-SPKR-510-CAR

WL-IPD-SPKR-510-INF

WL-IPD-SPKR-510-CAR-2CH

WL-IPD-SPKR-510-INF-2CH

WL-IPD-SPKR-520-CAR

WL-IPD-SPKR-520-INF

WL-IPD-SPKR-510D-CAR

WL-IPD-SPKR-510D-INF

WL-IPD-SPKR-510D-CAR-TM

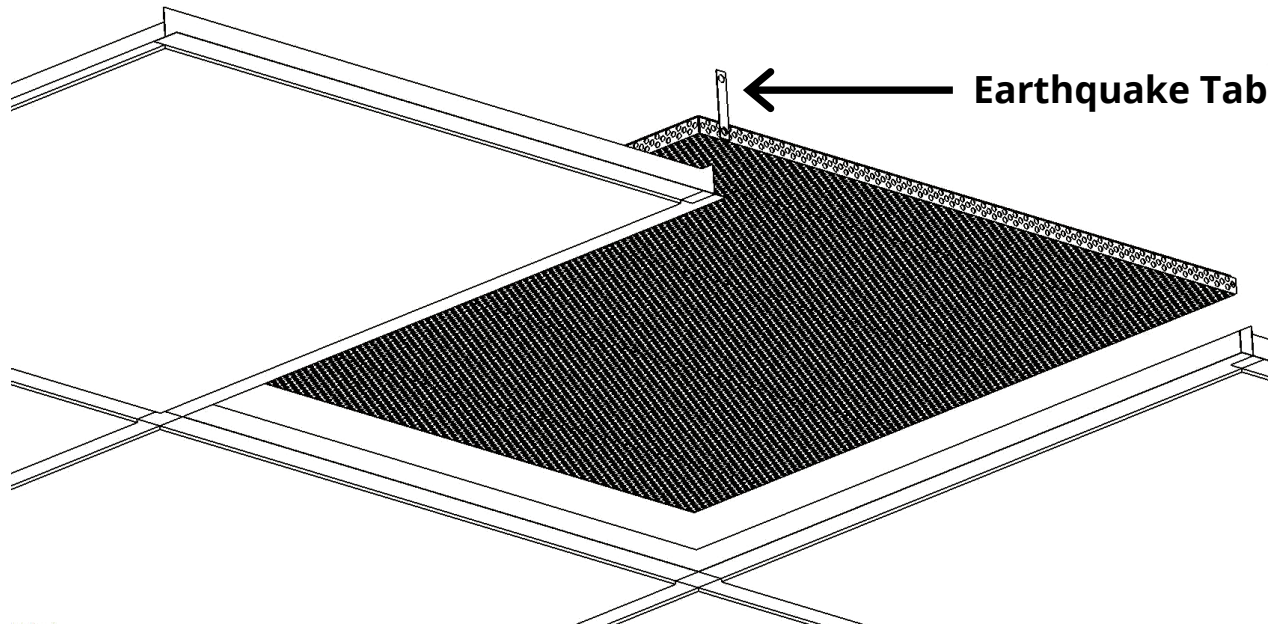
WL-IPD-SPKR-510D-INF-TM

WL-IPD-SPKR-540-CAR

WL-IPD-SPKR-540-INF

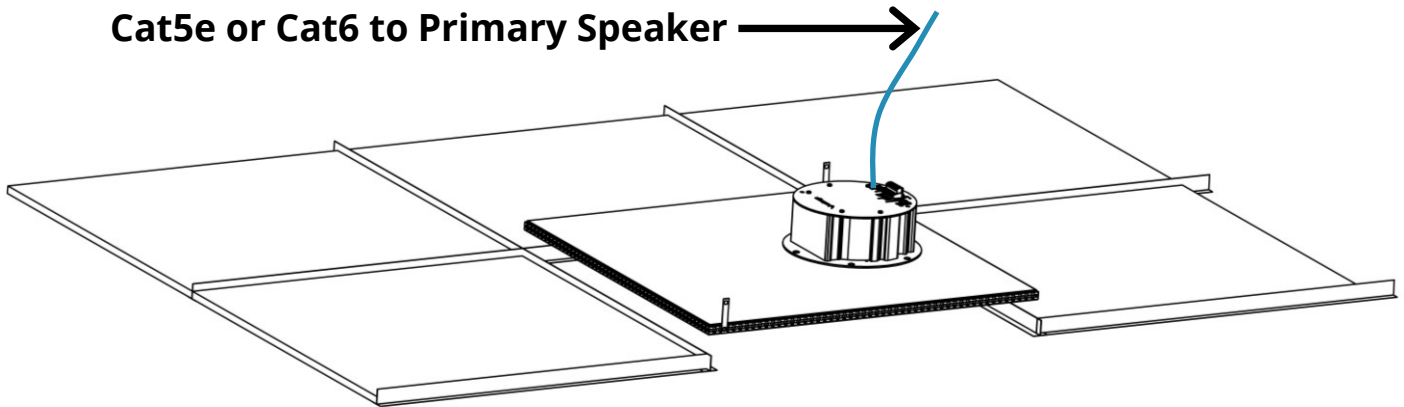
- Once the unit is successfully powered, the amber indicator LED on the front of the speaker will begin to blink.

## Installing in a 2x2 Grid Ceiling



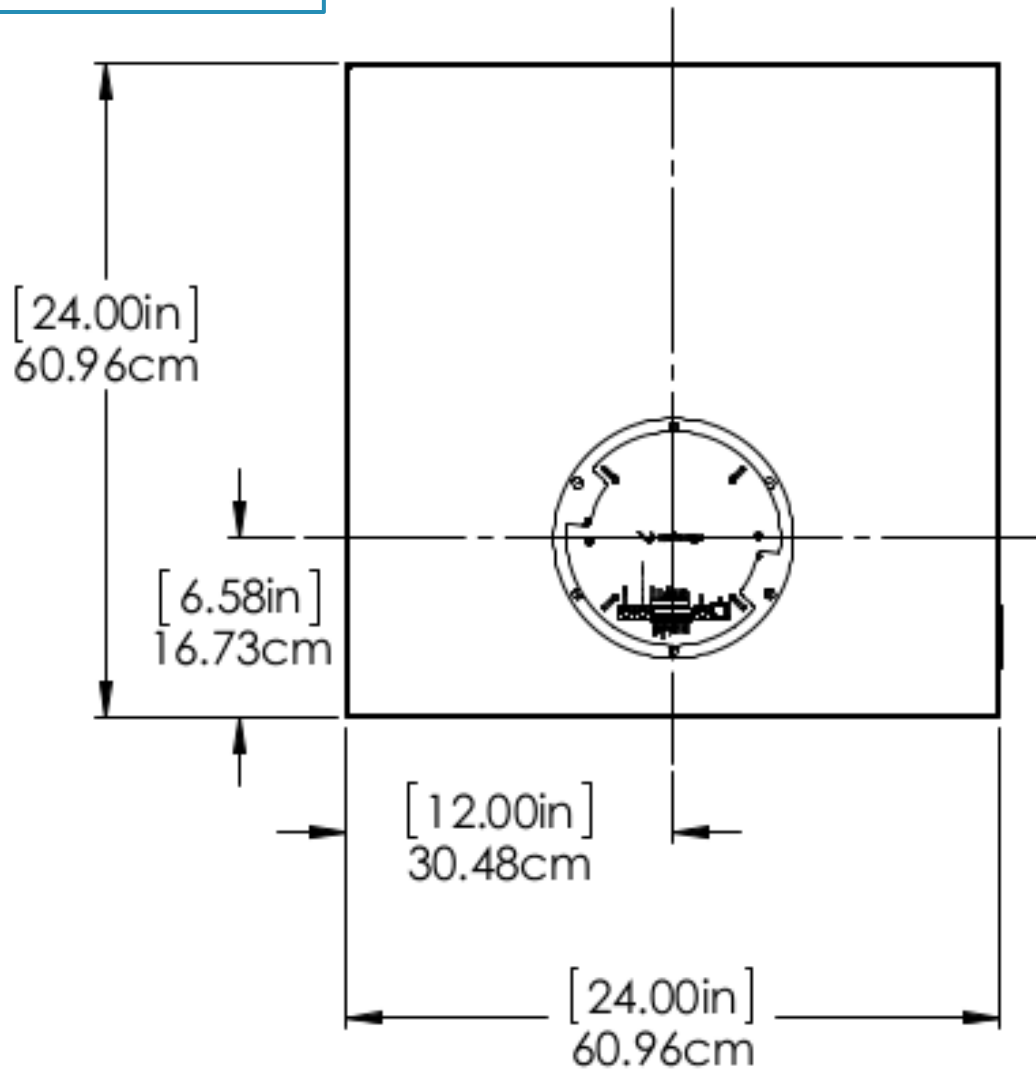
1. Lift earthquake tabs until perpendicular to the speaker frame.
2. Carefully angle and lift speaker and place into ceiling grid.
3. Insure that wires and cables are properly connected.
4. Attach earthquake tabs to secure speaker to structure per local building and electrical codes.

**Cat5e or Cat6 to Primary Speaker** →

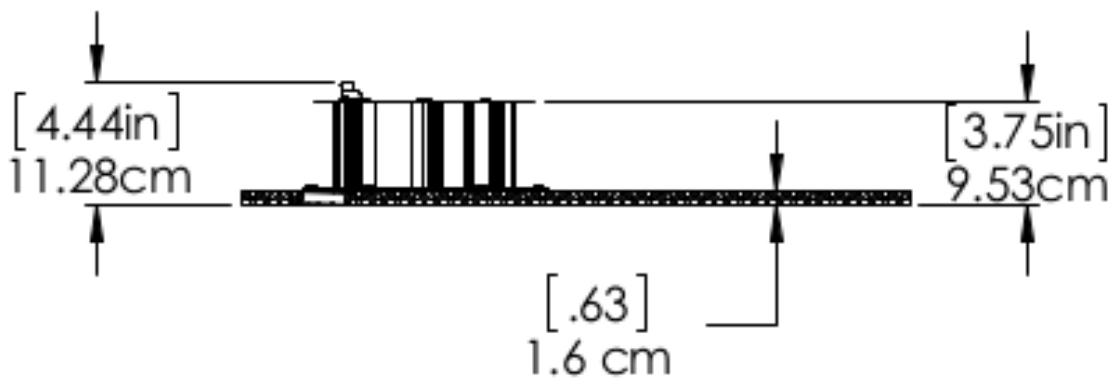


## Dimensions

### Length and Width



### Depth



## Standards Compliant

This product is designed and manufactured in the USA.

- ROHS compliant
- Temperature rating -40C to +60.



# Wahsega 2x2 Ceiling Extension Speaker

WL-SPKR-22-A

Installation Guide