



# Indoor Surface Mount IP Intercom

## *Installer's Guide*



## Getting Started

This step-by-step guide will help you install your Wahsega Indoor Surface Mount IP Intercom.

## What's in the Box



- **Speaker assembly and mounting bracket**
- **Mounting hardware**
  - (2) #6-32 x  $\frac{3}{4}$ " Phillips screws, for surface mounting

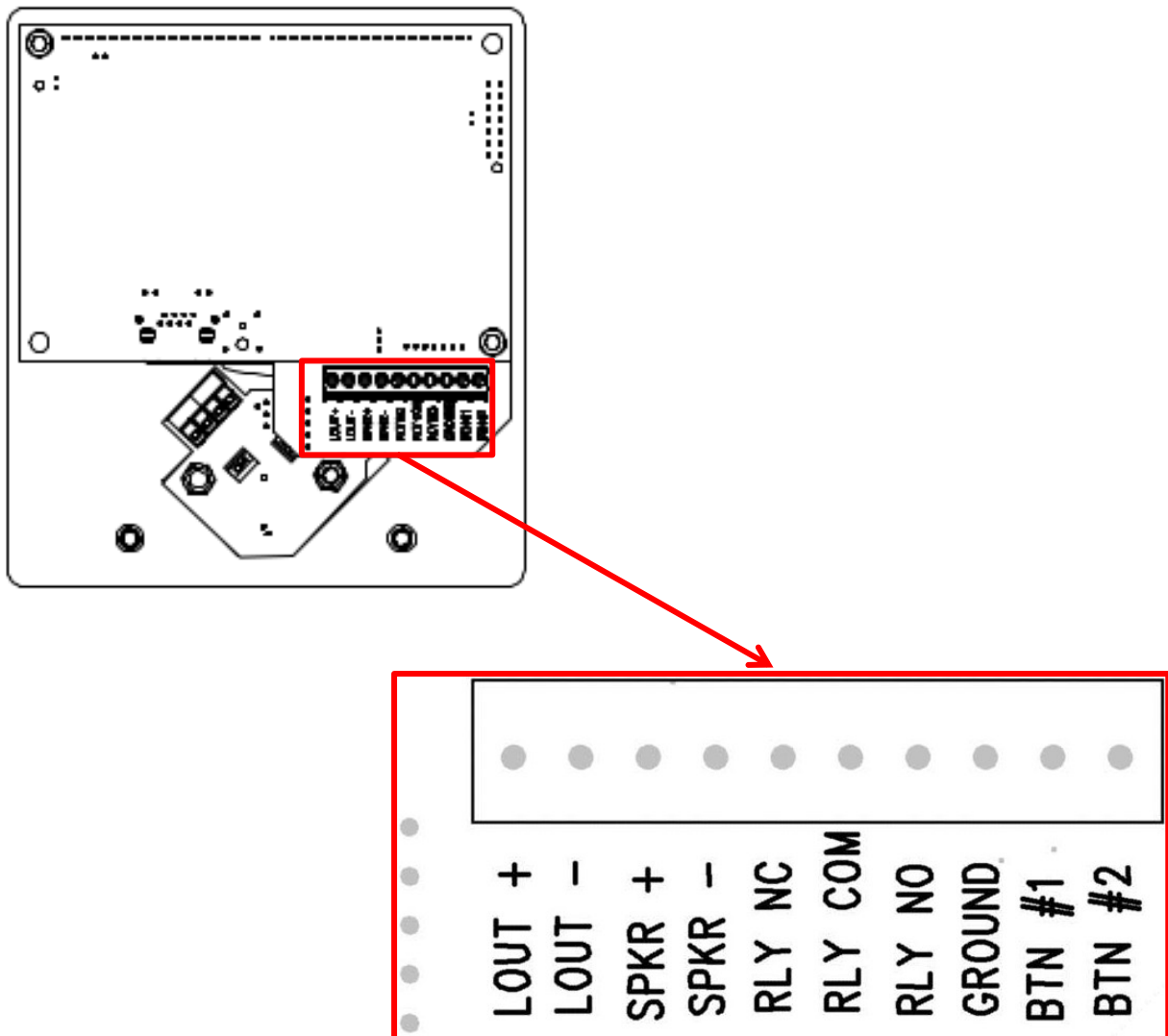
## What You Will Need

- **PoE power**
  - Standards compliant (IEEE 802.3af) POE switch
- **Remote communication point**
  - SIP server (such as Wahsega PICS)  
**or**
  - Peer-to-peer device to call
- **Network cable**
  - Cat5e or Cat6, max 100m
- **Screwdrivers**
  - Small flat head screwdriver
  - Phillips head screwdriver

## Class II Connection Wiring

The Indoor Surface Mount IP Intercom can broadcast audio through its internal speaker, or it can use an external audio source for broadcasting. Audio output choice must be configured in the intercom's configuration webpages and wired accordingly on the rear of the device.

The intercom also has an integrated relay and can accommodate up to two call buttons.



## Line Out

To bypass the intercom's internal speaker and broadcast audio via an audio line out to an amplifier, select the appropriate options in the configuration webpages and connect **LOUT +** and **LOUT -** to your amplifier using class II wiring.

- **LOUT +**
  - Line Out +. Consumer line input level (-10dBV).
  
- **LOUT -**
  - Line Out -. Consumer line input level (-10dBV).

## Speaker

To bypass the intercom's internal speaker and broadcast audio via an analog horn speaker, connect **SPKR +** and **SPKR -** to your horn speaker using class II wiring. The Wahsega Indoor Surface Mount IP Intercom can drive up to a 4W, 6 $\Omega$  speaker with no external amplifier needed.

- **SPKR +**
  - Connect to your external speaker's positive terminal.
  
- **SPKR -**
  - Connect to your external speaker's negative terminal.

## Relay

The Indoor Surface Mount IP Intercom has an integrated Form C relay (SPDT), used to connect and control a door lock, strobe, or other relay option. Its contacts are rated for 30VDC or 270VAC at 3A.

You must first determine if the relay you are using is a Normally Closed or a Normally Open relay.

If your relay is Normally Closed, connect to **RLY NC** and **RLY COM**.  
If your relay is Normally Open, connect to **RLY NO** and **RLY COM**.

- **RLY NC**
  - Relay Normally Closed (NC).
  
- **RLY COM**
  - Relay Common (COM).
  
- **RLY NO**
  - Relay Normally Open (NO).

## Buttons

Your Indoor Surface Mount IP Intercom may have zero, one, or two call buttons integrated into its faceplate. Depending on the number of integrated buttons your intercom has, it can support one or two additional external call buttons, such as the Wahsega **WL-SPKR-RB-W**.

A two-button intercom will have both integrated buttons connected here, and it will not accommodate additional call buttons.

A one-button intercom will have its single integrated button connected to **BTN #1** and **Ground**. If you wish to add a second, external call button, connect it to **BTN #2** and **Ground** using class II wiring.

Users can connect up to two external call buttons to a no-button intercom. Connect the first button to **BTN #1** and **Ground** using class II wiring. Connect the second button to **BTN #2** and **Ground** using class II wiring.

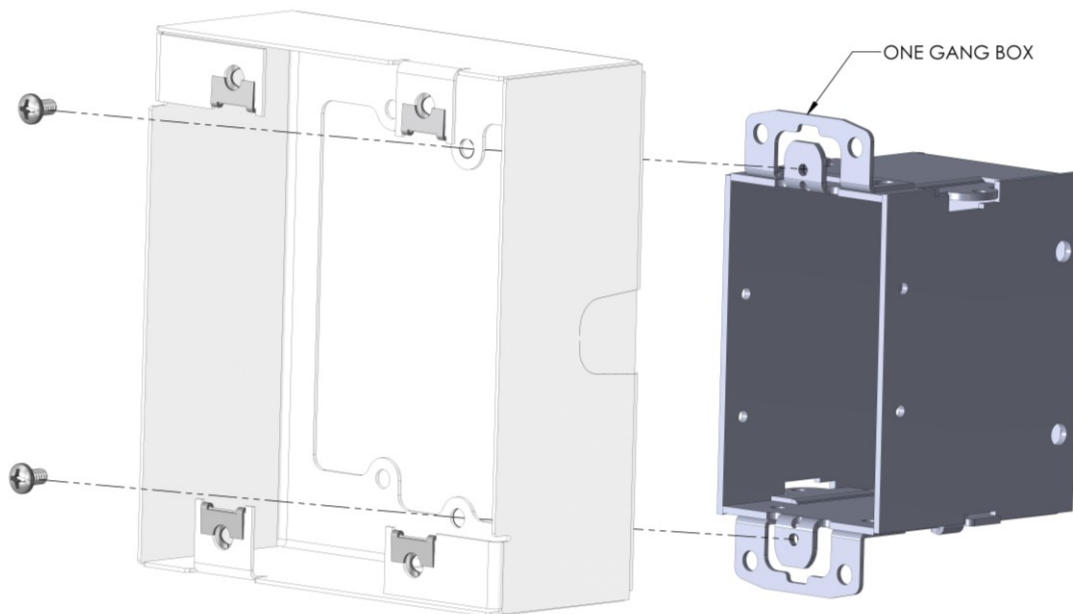
- **Ground**
  - Line Out +. Consumer line input level (-10dBV).
  
- **BTN #1**
  - Line Out -. Consumer line input level (-10dBV).
  
- **BTN #2**
  - Line Out -. Consumer line input level (-10dBV).

## Surface Mount Installation

Your Wahsega Indoor Surface Mount IP Intercom will ship with its mounting bracket attached to the intercom assembly. Begin installation by detaching the intercom assembly from its bracket using a screwdriver to remove the four screws from the front of the faceplate.

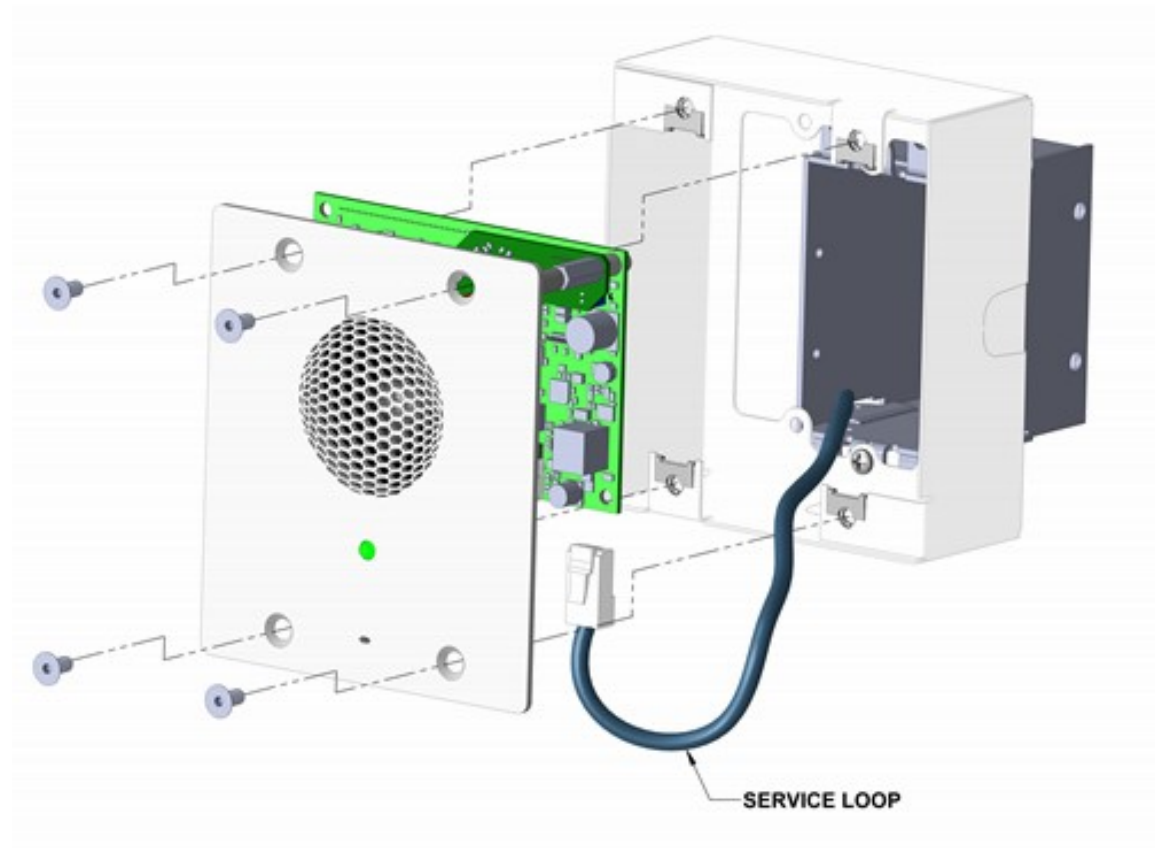
Next, mount your bracket to the front of a standard single-gang electrical backbox (preferred), using the (2) included #6-32 screws. If desired, the bracket can instead be mounted to the front of a two-gang backbox, using (4) screws.

If mounting the bracket to a solid surface rather than to an electrical backbox, use the appropriate bolts and anchors for that surface.





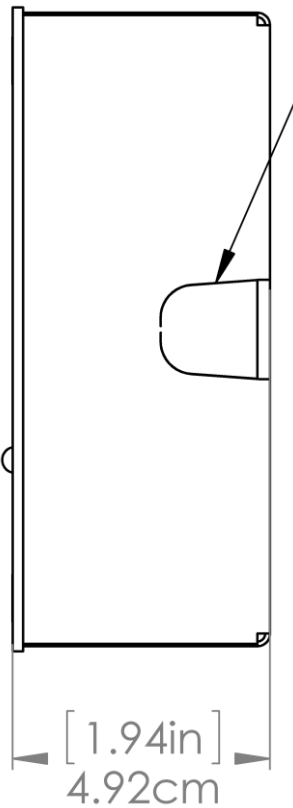
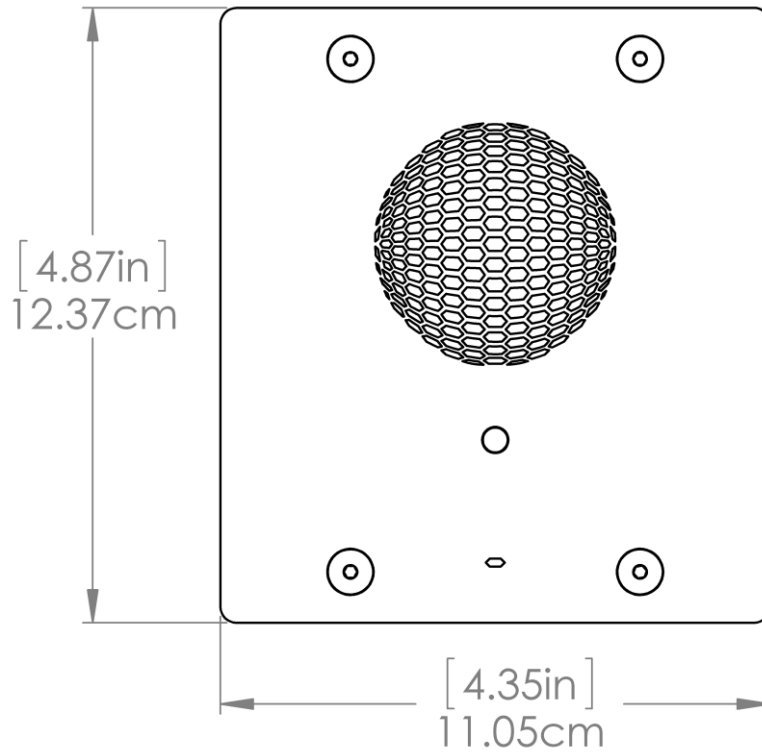
Next, connect the intercom's POE cable and any Class II wiring needed for audio output, relay, or call button(s).



Before installing the faceplate, be sure to locate and note the intercom's MAC address, which is printed on a white sticker on the rear of the circuit board.

Finally, re-attach the intercom assembly to its bracket using all four screws provided.

## Dimensions



Images not to scale. Larger versions available at [wahsega.com](http://wahsega.com).

## Standards Compliant

The indoor SIP intercom meets or exceeds the following RF emissions standards.

- FCC 47 CFR Part 15 Subpart B
- Industry Canada ICES-003 Issue 5
- Cet appareil numérique de la classe B est conforme à la norme ICES-003 du Canada.

This product is designed & manufactured in the USA.

- ROHS Compliant
- Temperature Rating -40C +60C.



## **Indoor Surface Mount IP Intercom**

WL-IC-SMT-CAR-I-W-R

WL-IC-SMT-CAR-I2B-W-R

WL-IC-SMT-CAR-INB-W-R