



wahsega

Sound Reinforcement Input Panel

Installer's Guide



Getting Started

This step-by-step guide will help you install your Wahsega Sound Reinforcement Input Panel.

What You Will Need

- **Wahsega speaker**

- Compatible models:

WL-SPKR-SMT-CAR
WL-SPKR-SMT-INF
WL-SPKR-SMT-2R
WL-SPKR-22-CAR
WL-SPKR-22-INF
WL-SPKR-22-2R

WL-IPD-SPKR-510-CAR
WL-IPD-SPKR-510-INF
WL-IPD-SPKR-510D-CAR
WL-IPD-SPKR-510D-INF
WL-IPD-SPKR-520-CAR
WL-IPD-SPKR-520-INF
WL-IPD-SPKR-540-CAR
WL-IPD-SPKR-540-INF

- **Network cable**

- Cat 5e or Cat 6 straight cable

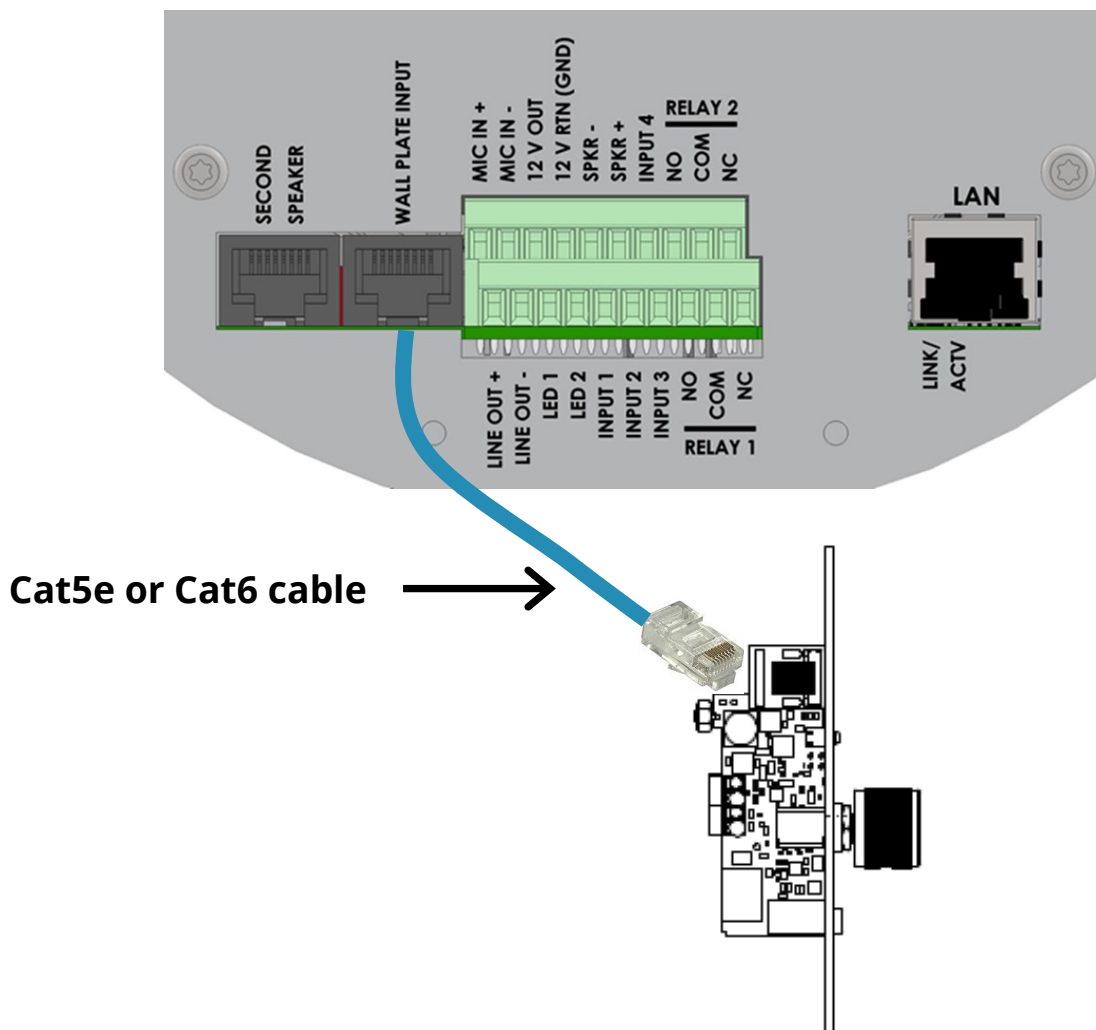
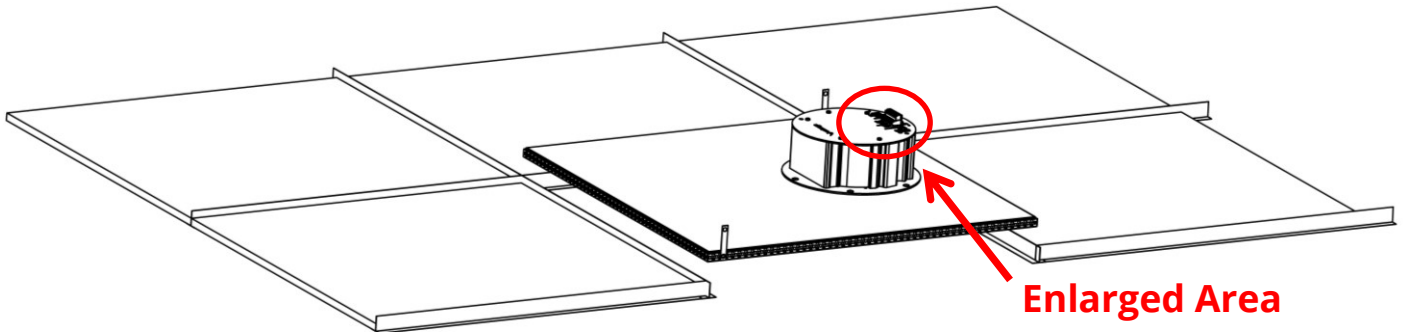
- **Phillips head screwdriver**

- **Audio cable**

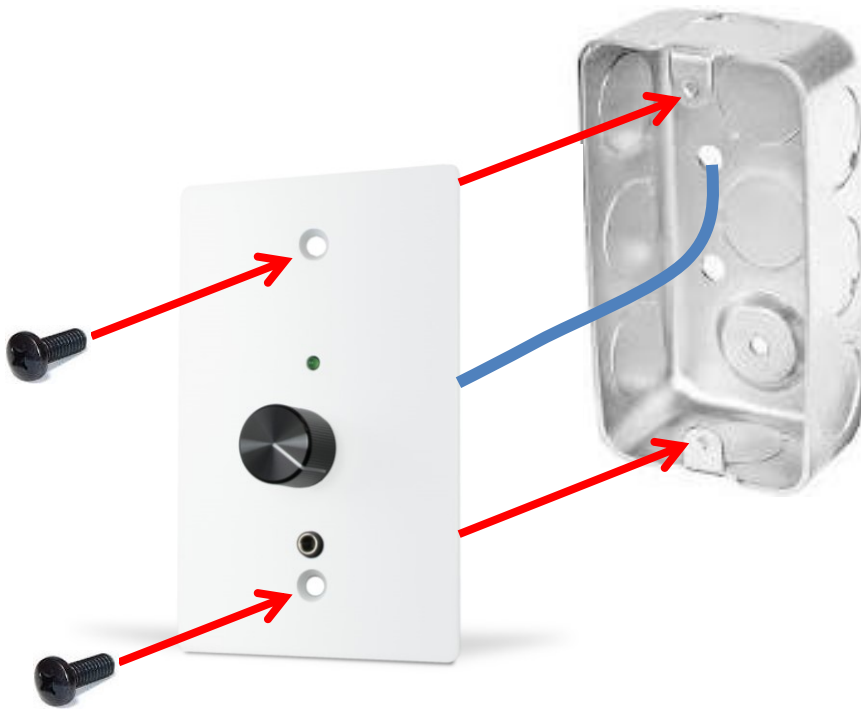
- 3.5mm auxiliary audio cable

Connecting Your Sound Reinforcement Panel

1. At speaker, connect a Cat5e or Cat6 straight cable to the “WALLPLATE INPUT” RJ45 input. Do not use a crossover cable.
2. Connect this cable to RJ45 connector at Sound Reinforcement Panel (no more than 20m away).



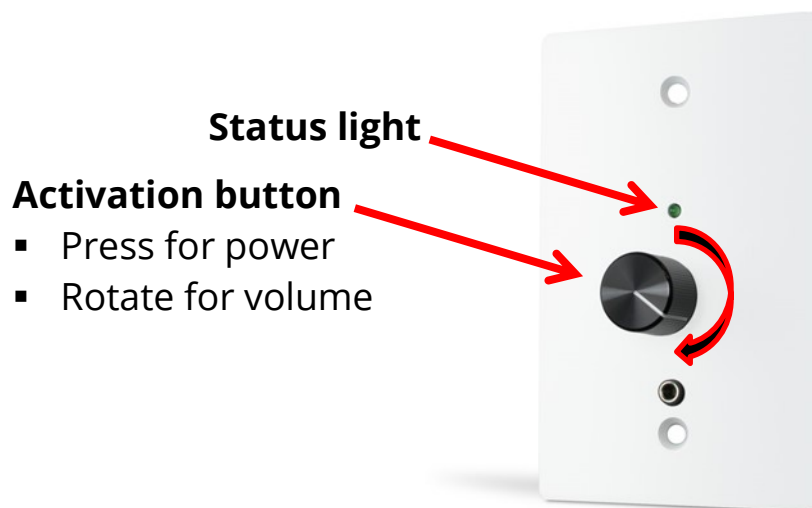
3. Fasten the Sound Reinforcement Panel's faceplate to a single-gang backbox using the included screws.



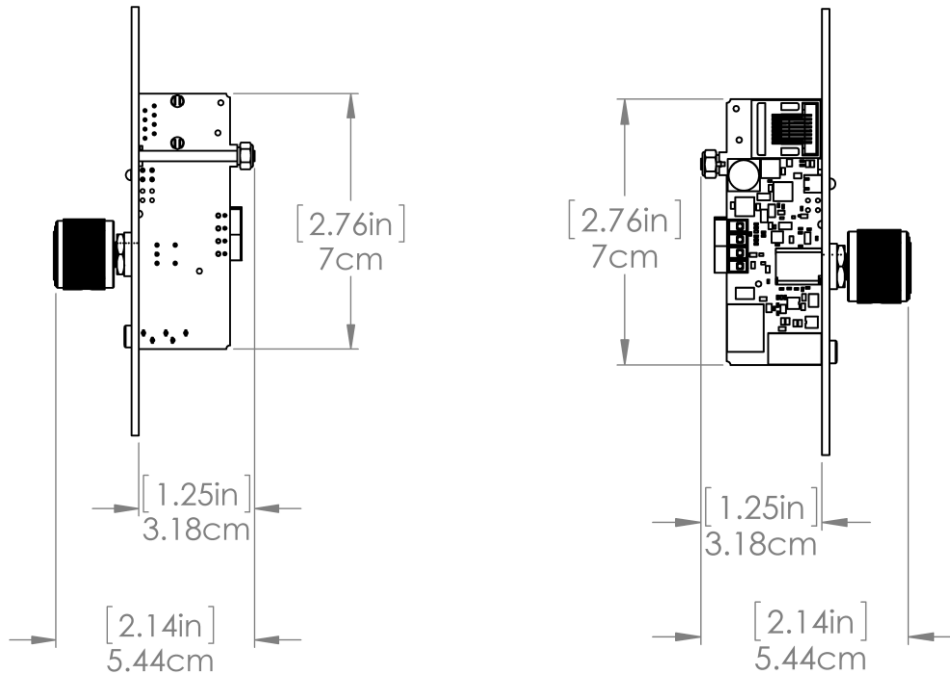
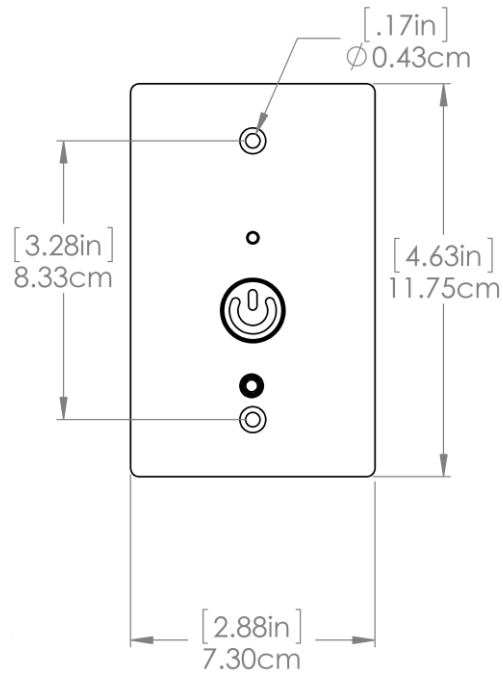
4. Connect a 3.5mm auxiliary cable to the audio source to be streamed.



5. Press the activation button to turn audio on and off. Rotate knob to adjust volume. Green status LED will turn on when the Sound Reinforcement Panel is on and activated.



Dimensions



Standards Compliant

This product is designed and manufactured in the USA.

- ROHS compliant
- Temperature rating -40C to +60C.



Wahsega Sound Reinforcement Panel

WL-SPKR-RSR-W

Installation Guide