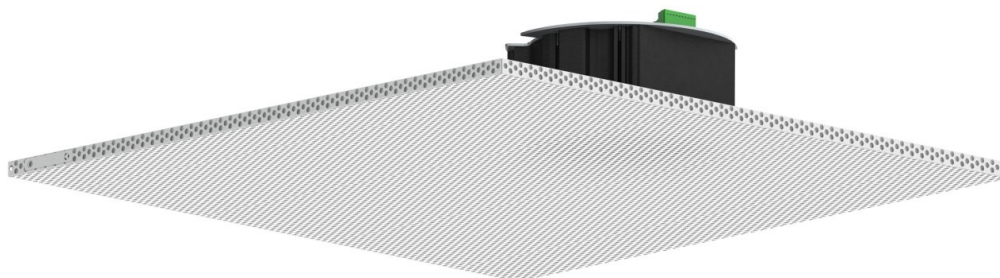


2X2 Ceiling Second Room Speaker



Description

The 2X2 Ceiling Second Room Speaker works in conjunction with a Wahsega Primary Speaker, allowing installers to cover two distinct audio zones using only one POE drop. The Second Room Speaker receives all of its data and power from its connected Primary Speaker, and yet it can be registered as a separate SIP account and separate audio zone, appearing to the end user to be completely independent. All programming is configured at the Primary Speaker.

The Second Room Speaker has its own Call/Panic Button input, Sound Reinforcement Panel input, microphone, and relays. It may be installed within twenty meters of its connected Primary speaker.

This Second Room Speaker may be used with Wahsega Wall-Mount or Ceiling-Mount speakers from any Wahsega speaker product family, including SIP, InformaCast and Carina. The 2X2 Ceiling Second Room Speaker is not a standalone device.

Features

- PoE 802.3af enabled
- Industry-low standby power consumption
- Fully configurable via simple webpages
- Simple drop-in ceiling grid installation
- Integrated status LED
- Microphone input
- Web-based mic and speaker volume control
- Two onboard relays for door control
- Optional classroom sound reinforcement audio input wallplate
- Compatible with standard panic buttons
- Advanced panic button functionality to reduce false alarm triggers
- RJ45 connections for simplified connection to primary speaker and optional remote sound reinforcement



Job Name: **Model Numbers:** **Date:**

Location: **Notes:**

Specifications

- Ethernet: 10/100 Mbps
- Power Input: PoE 802.3af (from Wahsega Primary Speaker only)
- Standby power: <2 Watts
- Speaker Drive Capabilities: 5W
- Speaker Impedance: 8Ω
- Speaker Sensitivity: 96dB 1W/0.5M SPL
- Coverage Angle: 120° / 4 kHz
- Dry Contact Relay Rating: 2A min, 250V AC, 24V DC
- Max Cat5e or Cat6 distance to Primary Speaker: 20m
- Temperature Range: -40°C to +60°C
- Dimensions: 24" x 24" x 4.44"
- Construction: 24-gauge steel housing with white polyester powdercoat paint
- Options: Remote Sound Reinforcement Wallplate, Call/Panic Button
- Warranty: 2 years limited

Model Numbers

WL-SPKR-22-2R

Wahsega Labs	Speaker	Mount	Functionality
WL	SPKR	22	2R
Wahsega Labs	Speaker	22 = 2x2 Lay-in SMT = Wall Mount	A = Extension 2R = Second Room

Installation

Standard 2x2 lay-in mounting with earthquake tabs for added stability. Power supplied via Power-over-Ethernet (PoE 802.3af) connection from Wahsega Primary Speaker. Only one Secondary Speaker (WL-SPKR-xx-A or WL-SPKR-xx-2R) per Wahsega Primary Speaker.

Compatibility

WL-SPKR-SMT-CAR
WL-SPKR-SMT-INF

WL-SPKR-SMT-CAR-2CH
WL-SPKR-SMT-INF-2CH

WL-SPKR-22-CAR
WL-SPKR-22-INF

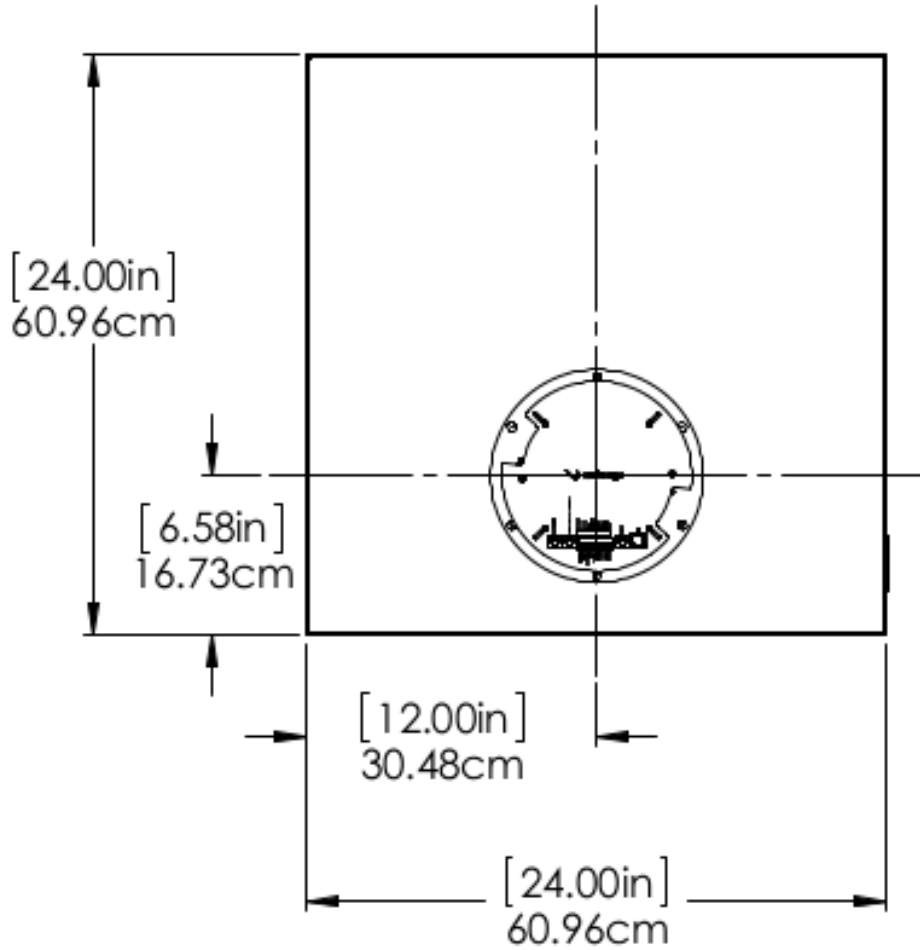
WL-SPKR-22-CAR-2CH
WL-SPKR-22-INF-2CH

Job Name: Model Numbers: Date:

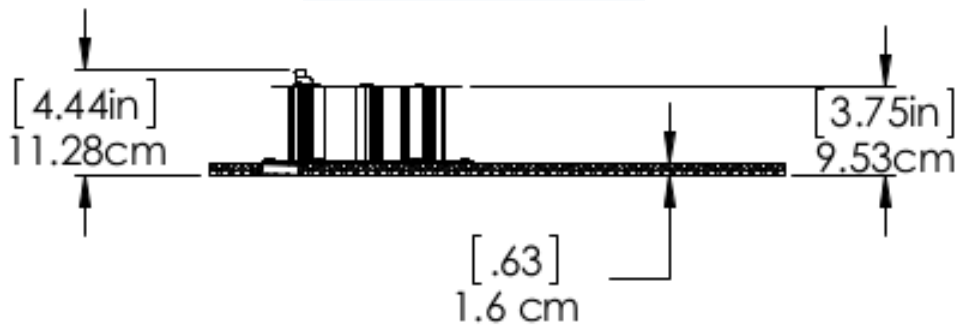
Location: Notes:

Dimensions

Length and Width



Ceiling Depth



Job Name:

Model Numbers:

Date:

Location:

Notes: