

Carina Double Sided Wall Mount IP Display



Description

Wahsega's line of PoE-enabled Carina IP Displays enables continuous time and date display and broadcasts critical announcements and scrolling text alerts from the Carina Event Manager. The Wahsega Carina Double Sided Wall Mount IP Display has two opposing LED displays and supports over 32,000 colors with an LED resolution that is twice what competing products provide, allowing more information to be displayed. All text is rendered using vector fonts for improved readability.

The Carina Double Sided Wall Mount IP Display supports SIP registration for calls and automatic Wahsega Event Manager discovery for multicast pages, events and scheduling. With network connectivity, scrolling LED display, built-in speakers and multi-color flashers, the Carina Double Sided Wall Mount IP Display broadcasts both audible and visible messages in two directions to hallways, classroom, offices or an average-sized room.

Two integrated relays let building managers remotely control external devices. A built-in microphone facilitates two-way SIP communication, and time synchronization is handled by the Event Manager's NTP Server.

The Carina Double Sided Wall Mount IP Display can even power a second, extension speaker (WL-SPKR-xx-A) up to 20 meters away via an Ethernet cable, increasing the audio coverage in the space. Power and data to the Display are provided by POE 802.3af, using a single Cat5e or Cat6 homerun for both speakers. Initialization and programming is all performed centrally at the Event Manager, making setup simple and efficient.

Job Name:	<input type="text"/>	Model Numbers:	<input type="text"/>	Date:	<input type="text"/>
Location:	<input type="text"/>	Notes:	<input type="text"/>		

Features

- Automatic registration with Wahsega Carina Event Manager
- SIP enabled
- PoE 802.3af enabled
- Able to drive second Wahsega analog speaker $\leq 20\text{m}$ away via Cat5e or Cat6
- Fully configurable via Wahsega Event Manager
- Multiple audio codecs to choose from
- Simple surface-mount wall installation
- Built-in microphone for two-way communication
- Web-based mic and speaker volume control
- Classroom sound reinforcement audio input wallplate available
- Status feedback
- Two onboard relays for door control
- Text display up to 5" high
- RJ45 connections for simplified installation of second speaker and remote sound reinforcement wallplate
- Compatible with standard panic buttons
- Advanced panic button functionality to reduce false alarm triggers
- One to three lines of text display
- Time set by Event Manager SNTP Server with no manual adjustments necessary
- Receive bell and event schedule alerts from Event Manager via RTP multicast
- Display 12- or 24-hour clock with four or six numerals
- Auto-dim feature for energy reduction
- Text display is configurable for scrolling of page by page mode.
- 32,768 LED colors
- 32 x 64 resolution

Specifications

- Ethernet: 10/100 Mbps
- Power Input: PoE 802.3af
- Standby power: < 2 Watt
- Protocol: SIP RFC 3261 compatible
- Audio Codecs: 16-bit PCM (uncompressed), u-law (G.711u), a-law (G.711a), G.722, G.729
- Audio Sampling: 8 kHz, 16 kHz, or 32 kHz
- Speaker Drive Capabilities: 8W (5W per speaker when driving two speakers)
- Speaker Impedance: 8Ω
- Speaker Sensitivity: 96dB 1W/0.5M SPL
- Coverage Angle: $120^\circ / 4$ kHz
- Dry Contact Relay Rating: 2A min, 250V AC, 24V DC
- Max PoE Cable Length: 100m (per standard) PoE 10/100 cable length
- Max Secondary Speaker Cat5e or Cat6 Cable Length: 20m
- Temperature Range: -40°C to $+60^\circ\text{C}$
- Weight: 13.25 lbs
- Overall Dimensions: 20.35" W x 7.74" H x 8.25" D (Bracket adds 4.95" W)
- LED Panel Dimensions: 5" tall x 10" wide
- Construction: Metal housing with polyester powdercoat paint
- Warranty: 2 years limited

Job Name: Model Numbers: Date:

Location: Notes:

Model Numbers

WL-IPD-SPKR-510D-CAR

Wahsega Labs	Display	Speaker	Height	Width	Protocol	Options
WL	IPD	SPKR	5	10D	CAR	
Wahsega Labs	IP Display	with Speaker	5 = 5" High Display	10 = 10" Wide Display 20 = 20" Wide Display 40 = 40" Wide Display D = Double Sided (10" only)	CAR = Carina INF = InformaCast	TM = Ceiling Mount

Installation

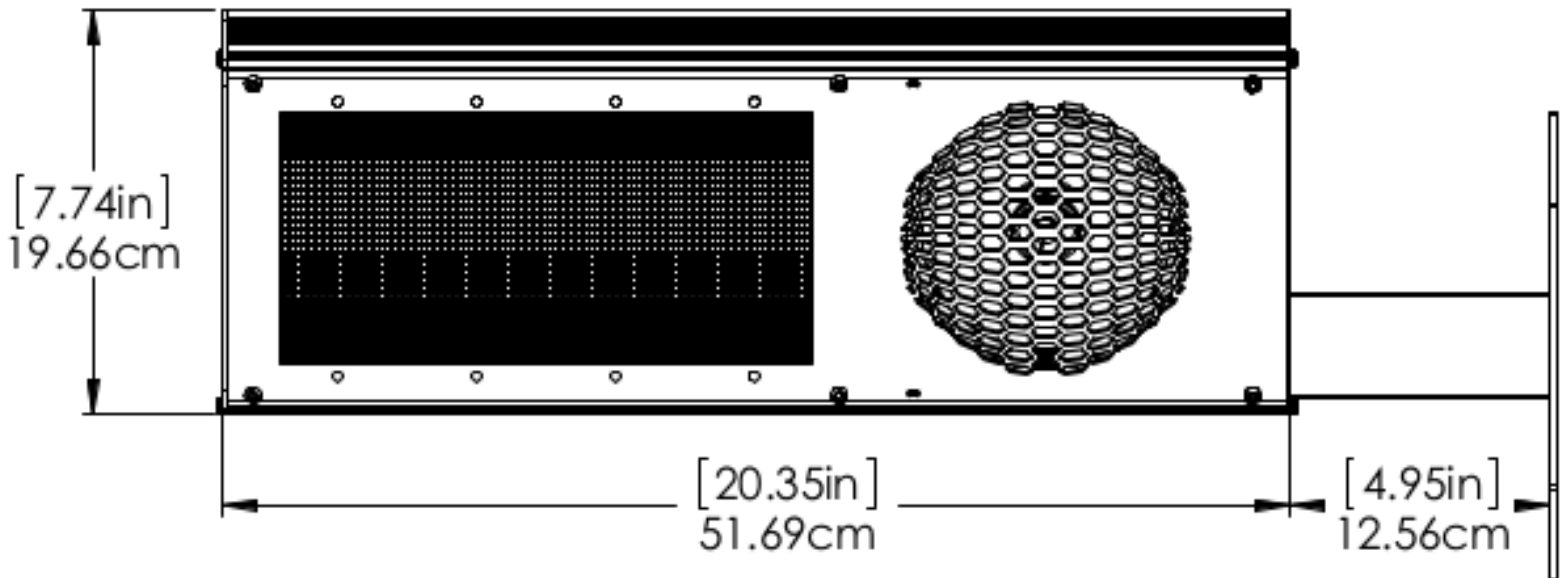
Simple, surface mount wall installation with side access for wiring. Power supplied via Power over Ethernet (PoE) 802.3af. The Wahsega Double Sided Wall Mount IP Display mounts to the surface of a wall, using its included mounting bracket and ½" bolts with the appropriate anchors for your surface material. An earthquake cable is connected to the included eye bolt for further stability.

Job Name: **Model Numbers:** **Date:**

Location: **Notes:**

Dimensions

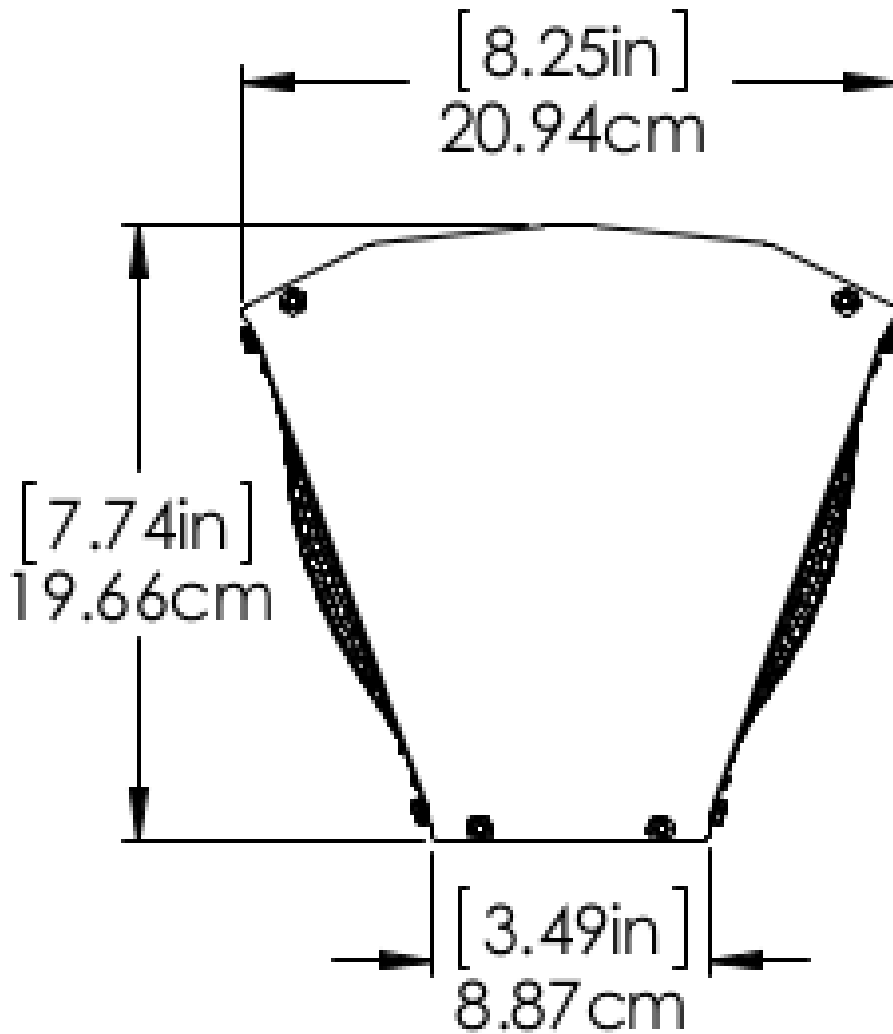
Front View



Job Name: Model Numbers: Date:

Location: Notes:

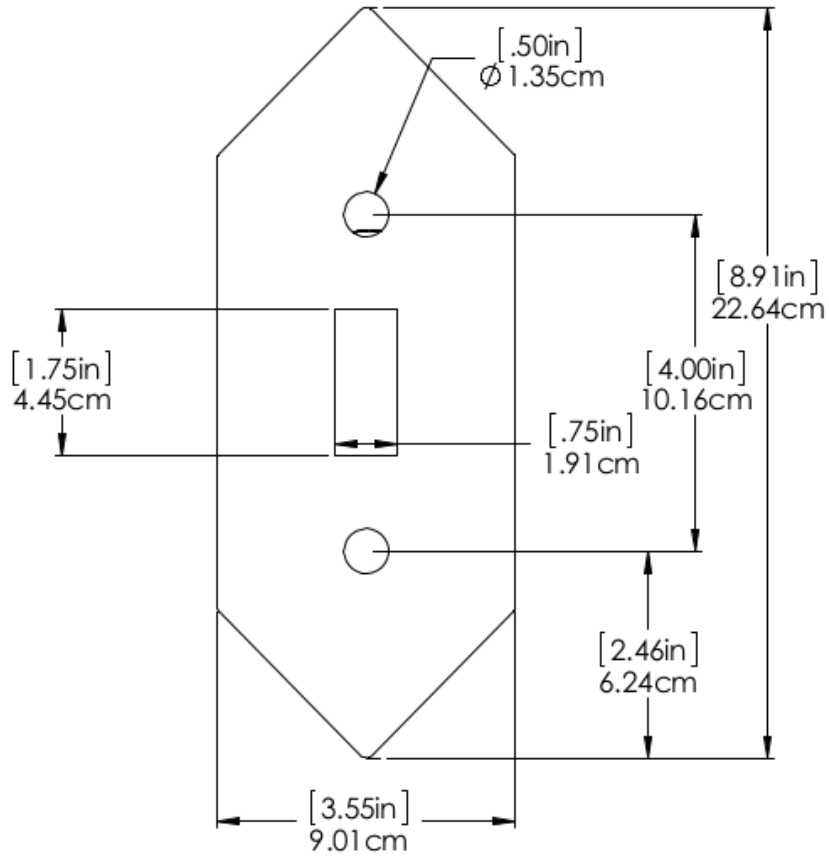
Side View



Job Name: Model Numbers: Date:

Location: Notes:

Mounting Bracket



Job Name: Model Numbers: Date:

Location: Notes: