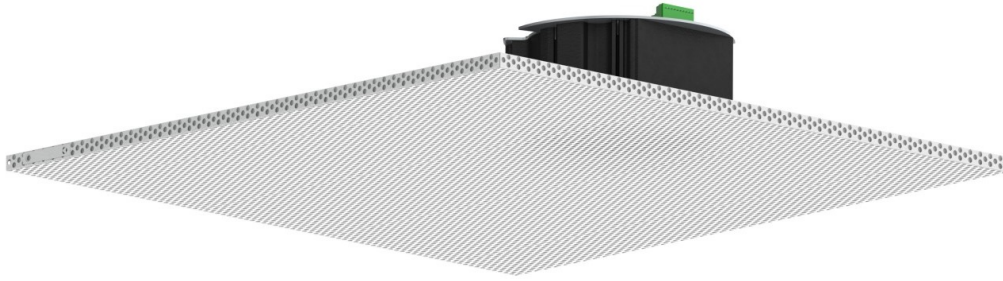


2x2 Extension Ceiling Speaker



Description

The 2x2 Extension Ceiling Speaker works in conjunction with a Wahsega Primary Speaker or Wahsega IP display to increase single-room audio coverage without the need for a second PoE cable run.

This Extension Speaker may be used with Wahsega primary Wall-Mount, Ceiling-Mount and IP Display speakers from any Wahsega speaker and display product family, including Carina and InformaCast. The Extension Speaker is not a standalone speaker.

All audio and data is provided from the primary speaker, and all programming is configured through the primary speaker or display. Once the primary speaker or display is properly programmed, this speaker will play the same audio as the primary speaker or display to which it is connected.

Features

- PoE provided by primary speaker
- Industry-low standby power consumption
- Simple drop-in ceiling grid installation
- Integrated status LED
- Web-based speaker volume control
- RJ45 connection for simplified installation

Job Name: **Model Numbers:** **Date:**

Location: **Notes:**

Specifications

- Ethernet: 10/100 Mbps
- Power Input: PoE 802.3af (from Wahsega Primary Speaker only)
- Standby power: <2 Watts
- Speaker Drive Capabilities: 5W
- Speaker Impedance: 8Ω
- Speaker Sensitivity: 96dB 1W/0.5M SPL
- Coverage Angle: 120° / 4 kHz
- Max Cat5e or Cat6 Cable distance to Primary Speaker: 20m
- Temperature Range: -40°C to +60°C
- Dimensions: 24" x 24" x 4.44"
- Construction: 24-gauge steel housing with white polyester powdercoat paint
- Warranty: 2 years limited

Model Numbers

WL-SPKR-22-A

Wahsega Labs	Speaker	Mount	Functionality
WL	SPKR	22	A
Wahsega Labs	Speaker	22 = 2x2 Lay-in SMT = Surface Mount	A = Extension 2R = Second Room

Installation

Standard 2x2 lay-in mounting with earthquake tabs for added stability. Power supplied via Power-over-Ethernet (PoE 802.3af) connection from Wahsega Primary Speaker. Only one Secondary Speaker (WL-SPKR-xx-A or WL-SPKR-xx-2R) per Wahsega Primary Speaker.

Compatibility

WL-SPKR-SMT-CAR
WL-SPKR-SMT-INF
WL-SPKR-SMT-CAR-2CH
WL-SPKR-SMT-INF-2CH

WL-SPKR-22-CAR
WL-SPKR-22-INF
WL-SPKR-22-CAR-2CH
WL-SPKR-22-INF-2CH

WL-IPD-SPKR-510-CAR
WL-IPD-SPKR-510-INF
WL-IPD-SPKR-510-CAR-2CH
WL-IPD-SPKR-510-INF-2CH
WL-IPD-SPKR-520-CAR
WL-IPD-SPKR-520-INF

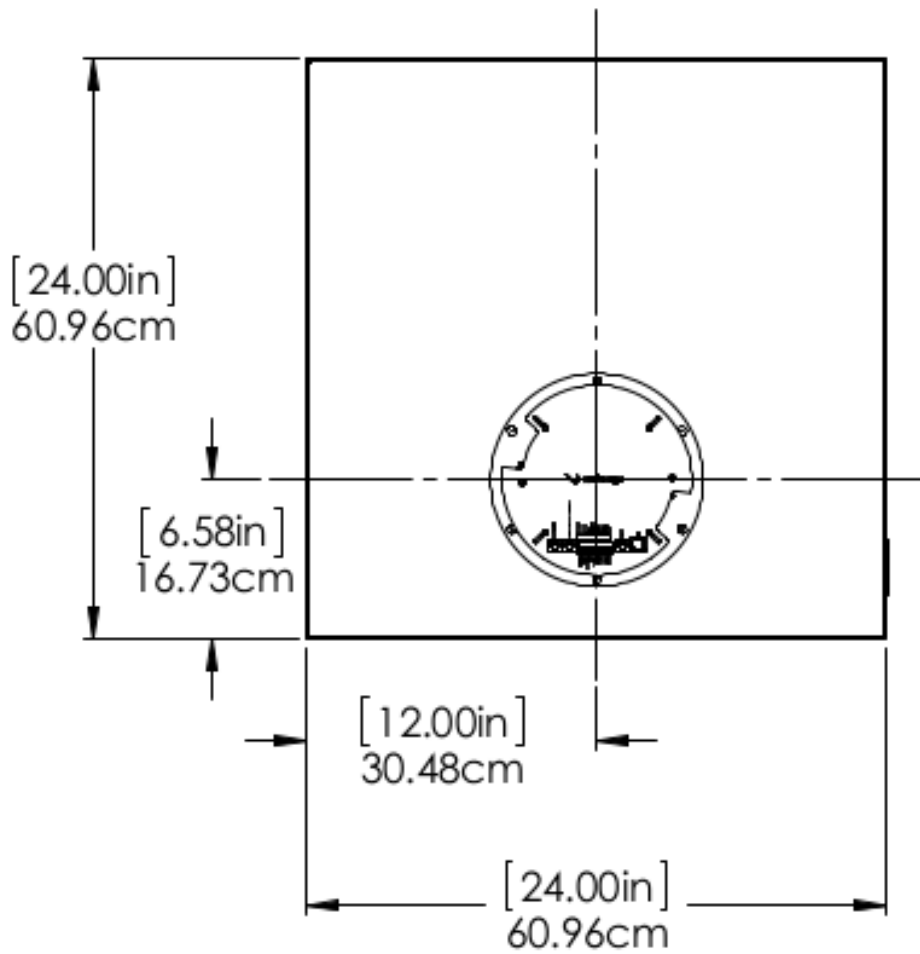
WL-IPD-SPKR-510D-CAR
WL-IPD-SPKR-510D-INF
WL-IPD-SPKR-510D-CAR-TM
WL-IPD-SPKR-510D-INF-TM
WL-IPD-SPKR-540-CAR
WL-IPD-SPKR-540-INF

Job Name: **Model Numbers:** **Date:**

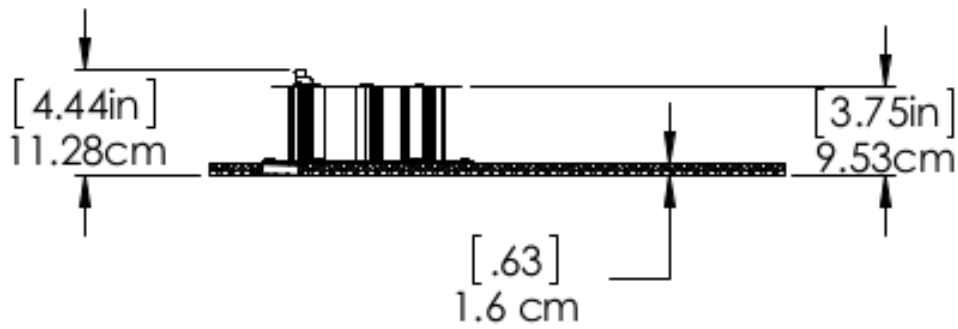
Location: **Notes:**

Dimensions

Length and Width



Ceiling Depth



Job Name: Model Numbers: Date:

Location: Notes: