

Carina Outdoor Pedestal Intercom



Description

Wahsega's Carina Outdoor Pedestal Intercom is a weatherproof outdoor IP intercom designed and manufactured in the USA. With the highest quality two-way audio in the industry, it is perfect for use in manufacturing plants, warehouses, secure outdoor locations, parking garages and multi-tenant office spaces. Greet visitors from any phone on the existing PBX and unlock doors or gates with a simple DTMF code. With PoE power, a durable steel housing and the included vandal resistant security screws, installation is simple and secure. Four bolt holes are located on the rear of the box for mounting on standard gooseneck pedestals. Quickly configure each unit from the central Wahsega Event Manager, which will automatically detect each intercom at startup. One-button, two-button and no-button models all available with optional weather hood. *Note: Ethernet cable may only be connected through the rear conduit access for this model.*

Features:

- Fully configurable via Wahsega Carina Event Manager
- SIP Compliant
- PoE 802.3af power
- Environmental noise suppression
- Full-duplex audio with Acoustic Echo Cancellation (AEC)
- Security screws included
- Peer-to-peer SIP capable
- Paging speaker function
- On-board relay for door latches
- Mic and speaker volume control
- IP65 weather protection (conformal coated internal circuitry)
- Optional weather hood

Job Name:

Model Numbers:

Date:

Location:

Notes:

Specifications

- Ethernet: 10/100 Mbps (Can force 10Mbps Full-Duplex)
- Protocol: SIP RFC 3261 Compatible
- Temperature Range: -40°C to +60°C
- Audio Codecs: G.711 uLaw, G.711 aLaw, G.722 HD, G.726 fixed payload, G.729, DVI4 HD, DVI4 Narrowband, OPUS
- Audio Sampling: Up to 48KHz
- Form C (SPDT) Relay Contact Closure Rating: 30VDC or 270VAC, 3A
- Dimensions: 5.96" x 5.88" x 2.88" (H x W x D)
- Warranty: 2 years limited
- Regulatory Compliance: FCC Class B
- Power Input: PoE 802.3af

Model Numbers

Wahsega Labs	Intercom	Mount	Protocol	Options	Color	Relay
WL	IC	BKMT	CAR	OV		R

Wahsega Labs

Intercom

Carina

Relay

BKMT = Back Mount
 FLMT = Flush Mount
 SMT = Surface Mount

O = Outdoor
 I = Indoor
 V = Vandal Resistant
 (Outdoor only)
 NB = No Button
 2B = Two Buttons

Blank = Brushed Metal
 W = White Glossy
 (Interior only)

WL-IC-SMT-CAR-I-W-R

Wahsega Labs
 Intercom
 Surface Mount
 Carina
 Indoor
 White
 with Relay

WL-IC-BKMT-CAR-OV-R

Wahsega Labs
 Intercom
 Back Mount (Pedestal)
 Carina
 Outdoor
 Vandal Resistant
 Brushed Metal
 with Relay

WL-IC-FLMT-CAR-I-W-R

Wahsega Labs
 Intercom
 Flush Mount (Recessed)
 Carina
 Indoor
 White
 with Relay

Available Carina Outdoor Pedestal Intercom Model Numbers:

- WL-IC-BKMT-CAR-OV-R**
- WL-IC-BKMT-CAR-OVNB-R**
- WL-IC-BKMT-CAR-OV2B-R**

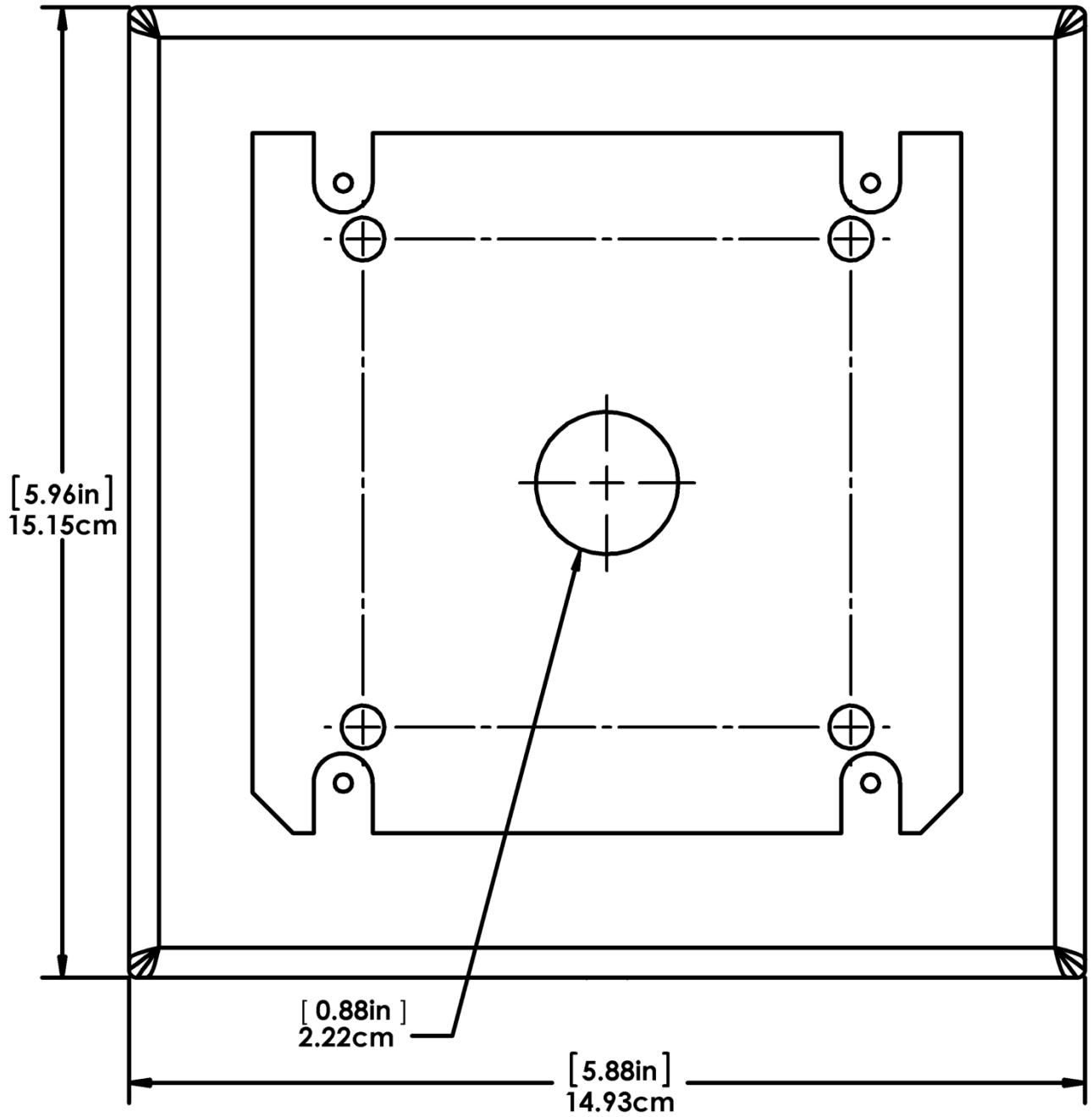
Optional Weather Hood (Compatible only with Outdoor Pedestal Intercoms):

WL-BKMT-HOOD-OV

Job Name: Model Numbers: Date:

Location: Notes:

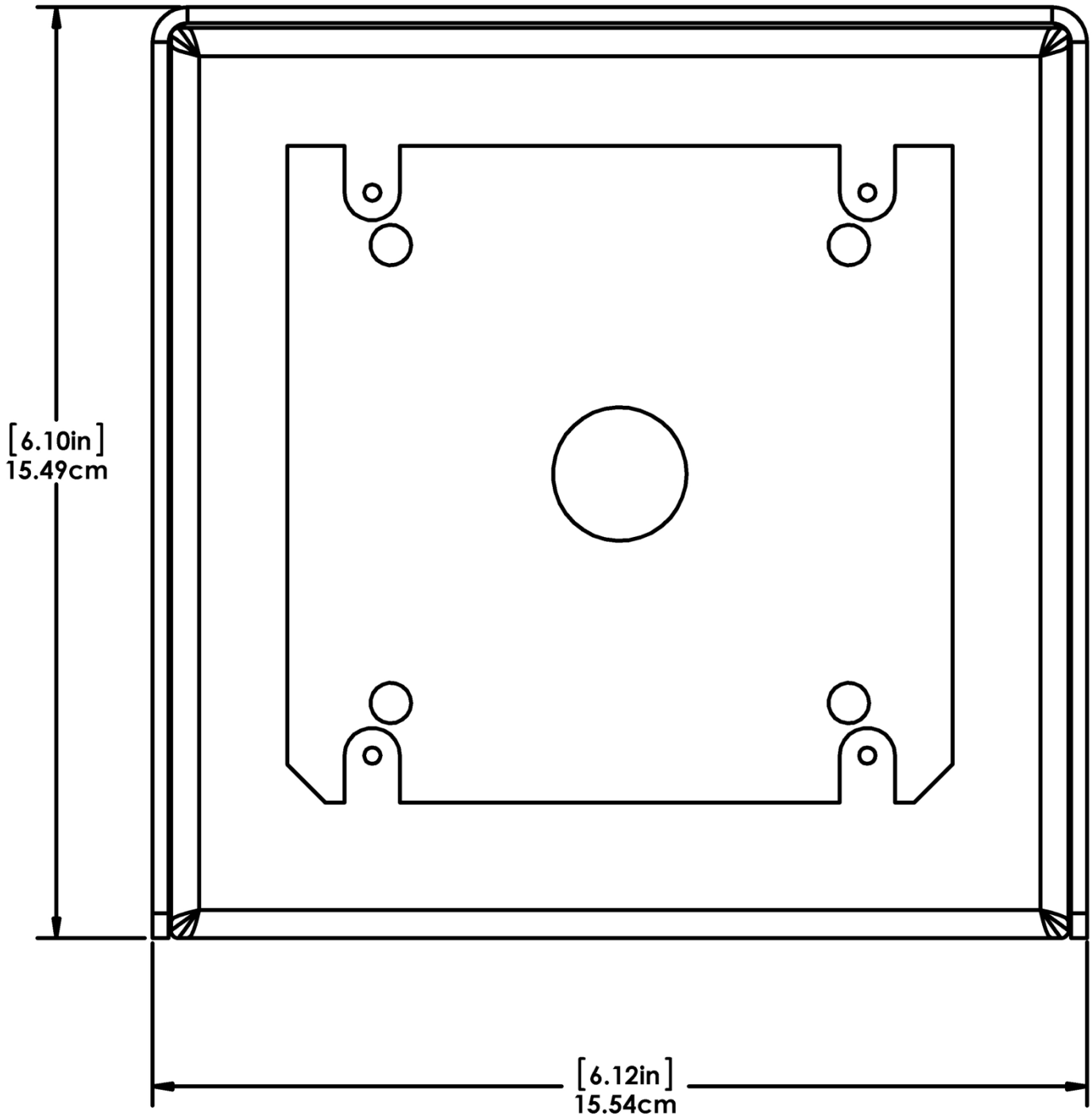
Dimensions



WL-IC-BKMT-CAR-OV-R
Front view

Job Name: Model Numbers: Date:

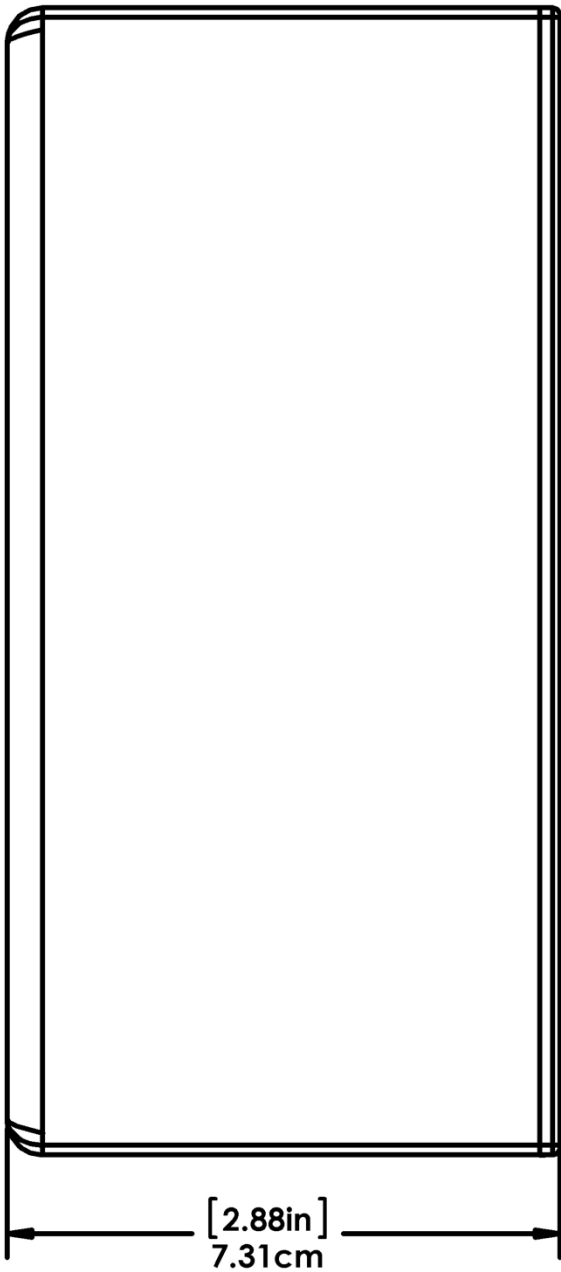
Location: Notes:



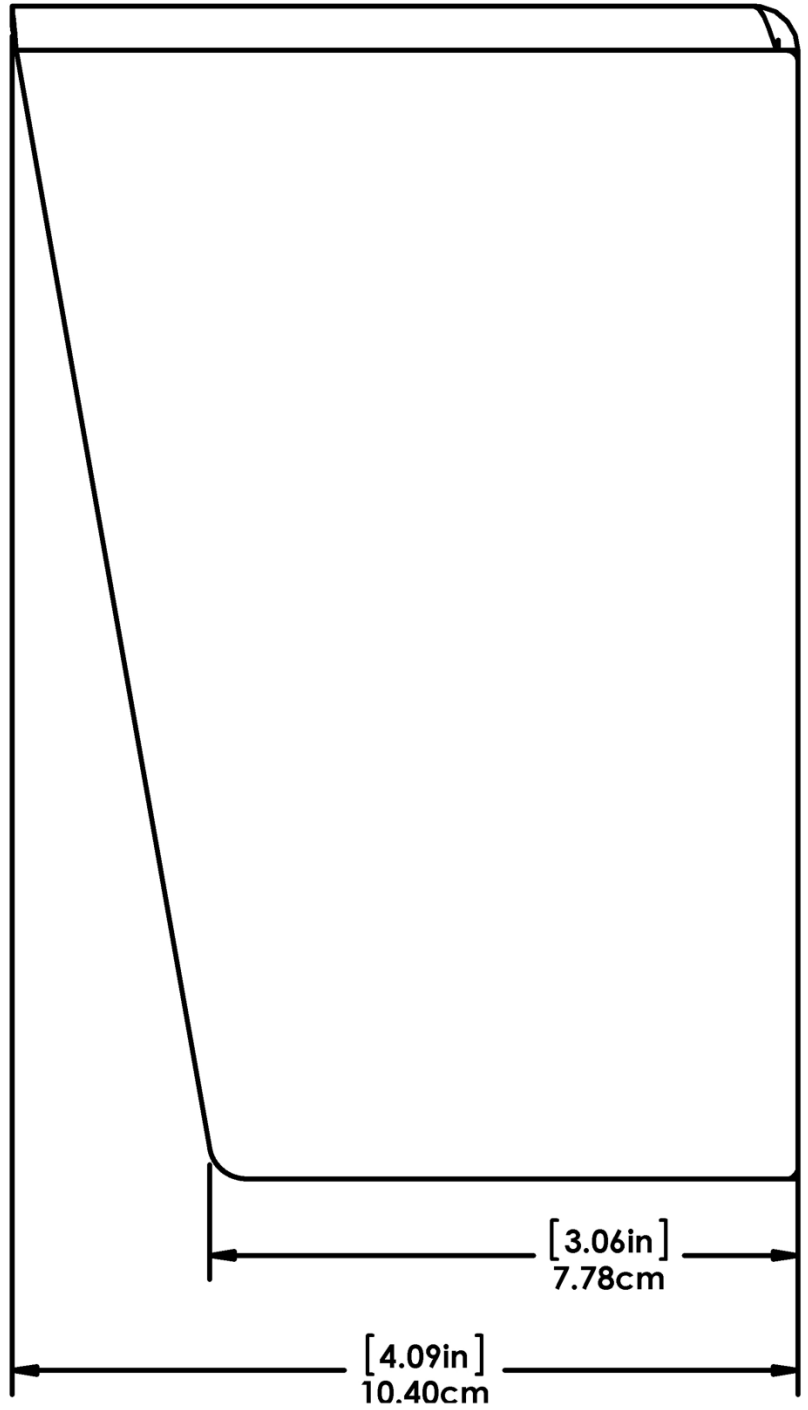
WL-IC-BKMT-CAR-OV-R
Front view with weather hood

Job Name: Model Numbers: Date:

Location: Notes:



WL-IC-BKMT-CAR-OV-R
Side view

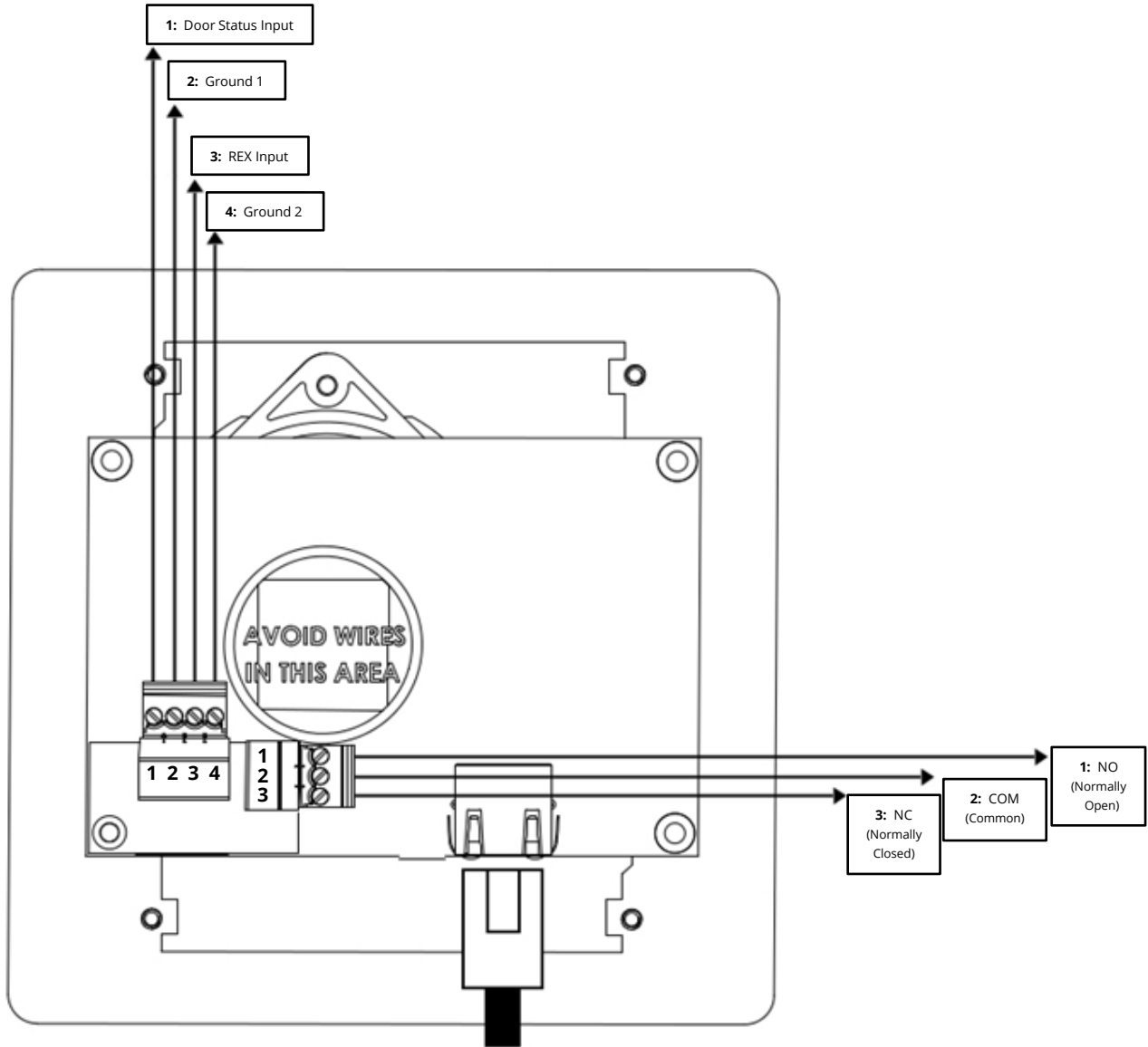


WL-IC-BKMT-CAR-OV-R
Side view with weather hood

Job Name: Model Numbers: Date:

Location: Notes:

Class 2 (PELV) Terminal Connections



NOTE: Ethernet cable can ONLY be installed in the orientation shown.

Job Name: Model Numbers: Date:

Location: Notes: