

## Carina Surface Mount Indoor Intercom



### Description

The Carina Surface Mount Indoor Intercom is a low-cost, small, surface mount IP intercom with one or two buttons, powered via Power-over-Ethernet (PoE). It can be used to broadcast alerts and announcements from the Carina Event Manager using voice over IP (VoIP), or it can function as an SIP intercom.

Carina Surface Mount Indoor Intercom's call button can be configured as a panic button, with a long-press feature to reduce the number of panic button false alarm calls. With this advanced functionality, a brief button press places a call to one preconfigured number in normal intercom mode—such as a front office phone—while a longer press-and-hold will place a call to a second, preconfigured emergency number.

With an onboard relay, the Carina Surface Mount Indoor Intercom allows centralized or local control of a door lock or other relay options such as a strobe.

Programming the Carina Surface Mount Indoor Intercom is simple, and LED feedback on the intercom lets installers know when their system is up and running. Wahsega's Carina Event Manager detects the intercom on startup, and programming is centralized for fast and efficient system initialization and maintenance of large numbers of intercoms for site-wide management.

With simple installation and programming, advanced functionality and reduced labor and installation costs, the Wahsega Carina Surface Mount Indoor Intercom is the perfect solution for a wide range of applications.

**Job Name:**  **Model Numbers:**  **Date:**

**Location:**  **Notes:**

## Features

- Surface mount installation
- Fully configurable via Carina Event Manager
- SIP compliant for both PBX and peer-to-peer (P2P) capability
- Environmental noise suppression
- Full-duplex audio with Acoustic Echo Cancellation (AEC)
- Multicast audio paging with multiple priority levels
- Top and side raceway knockouts
- Integrated status LED
- Integrated microphone
- Industry-leading low standby power
- PoE 802.3af enabled
- Web-based mic & speaker volume control
- On-board relay for door control

## Specifications

- Ethernet: 10/100 Mbps
- Power Input: PoE (Power-over-Ethernet) 802.3af
- Protocol: SIP RFC 3261 compatible
- Audio Codecs: G.711 uLaw, G.711 aLaw, G.722 HD, G.726 fixed payload, G.729, DVI4 HD, DVI4 Narrowband, OPUS
- Audio Sampling: Up to 48KHz
- Speaker Drive Capabilities: 4W
- Speaker Impedance: 6Ω
- Speaker Sensitivity: 80dB 1W/1m SPL
- Form C (SPDT) Relay Contact Closure Rating: 30VDC or 270VAC, 3A
- Max PoE Cable Length: 100m (per standard) PoE 10/100 cable length
- Max Cable Length for Optional Horn Speaker: 20ft
- Temperature Range: -40°C to +60°C
- Dimensions: 4.3" x 4.8" x 1.94"
- Construction: 20-gauge steel housing with white polyester powdercoat paint
- Regulatory Compliance: FCC Class B
- Warranty: 2 years limited

## Model Numbers

Wahsega Labs	Intercom	Mount	Protocol	Options	Color	Relay
WL	IC	SMT	CAR	I	W	R
Wahsega Labs	Intercom	BKMT = Back Mount FLMT = Flush Mount SMT = Surface Mount	Carina	O = Outdoor I = Indoor V = Vandal Resistant (Outdoor only) NB = No Button 2B = Two Buttons	Blank = Brushed Metal W = White Glossy (Interior only)	Relay

### Available Carina Surface Mount Indoor Intercom Model Numbers:

**WL-IC-SMT-CAR-I-W-R**

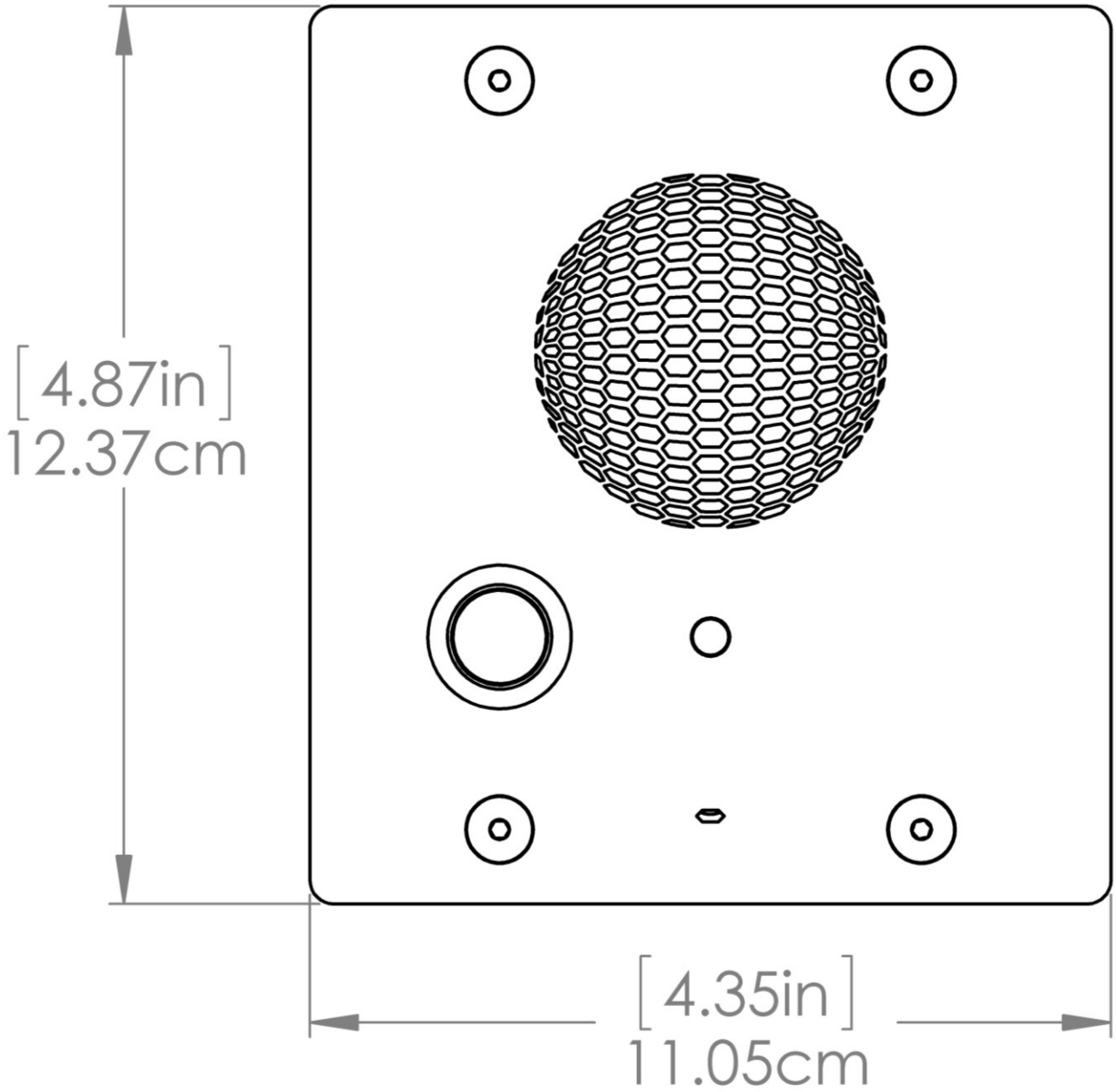
**WL-IC-SMT-CAR-I2B-W-R**

Job Name:  Model Numbers:  Date:

Location:  Notes:

### Dimensions

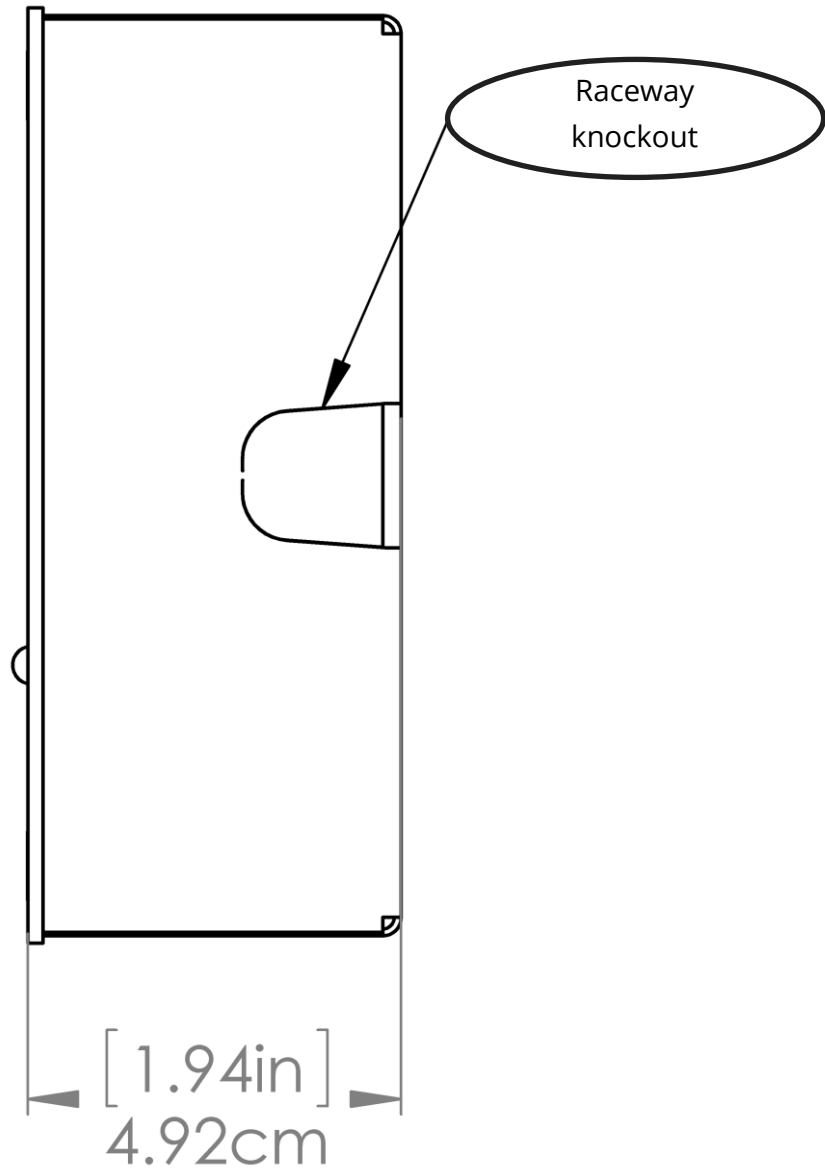
Front View



Job Name:  Model Numbers:  Date:

Location:  Notes:

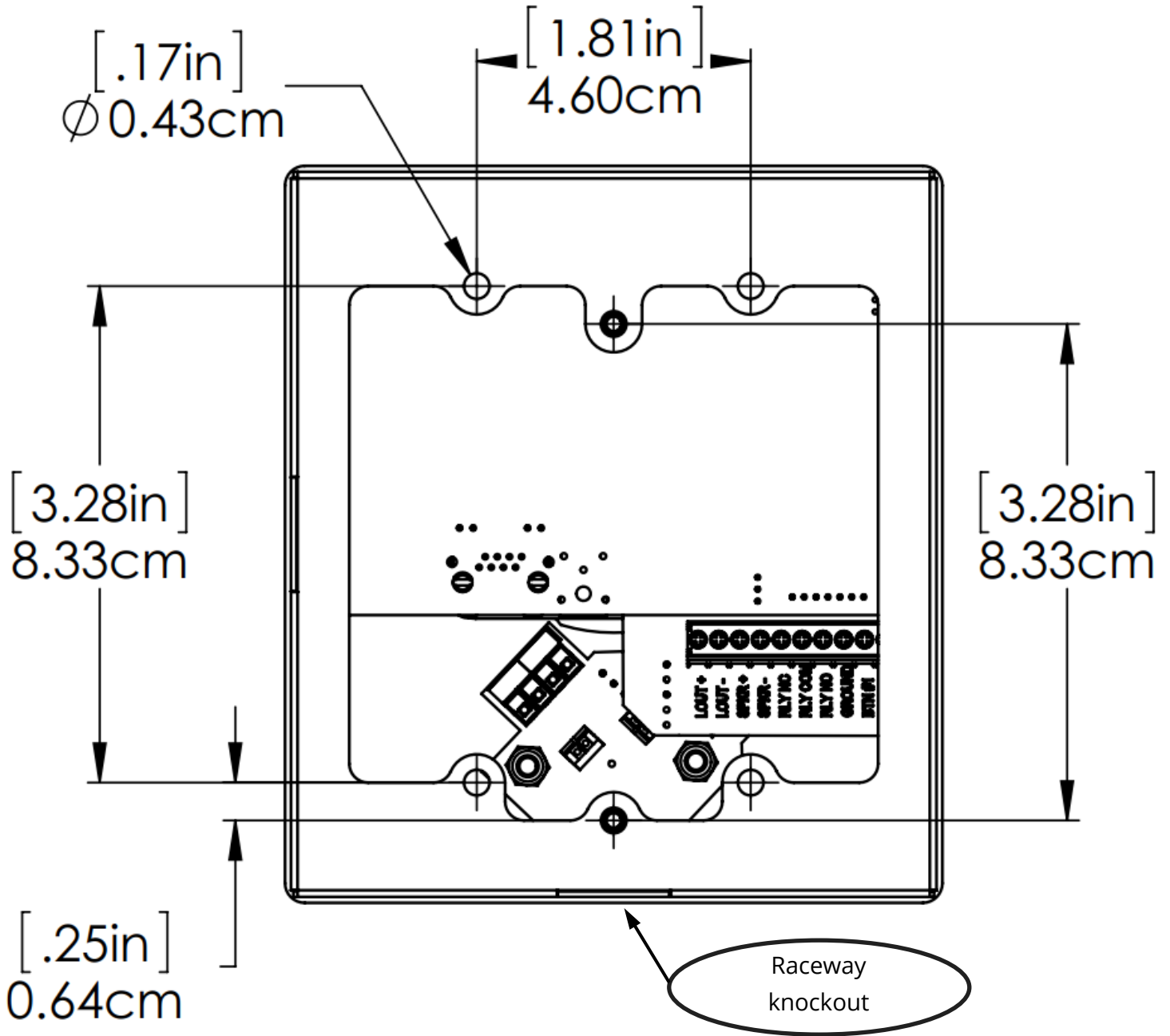
Side View



Job Name:  Model Numbers:  Date:

Location:  Notes:

Rear View



Job Name:  Model Numbers:  Date:

Location:  Notes: