

Carina Wall Mount IP Speaker



Description

The Carina Wall Mount IP Speaker receives and plays audio broadcasts from the Carina Event Manager via multicast and can also place and answer two-way SIP calls using an IP PBX such as Wahsega's Paging Intercom Server (PICS).

The Carina Wall Mount IP Speaker works with standard call buttons or the Wahsega Call Button. Advanced functionality can reduce the number of false alarms from that call button, as a brief button press places a SIP call to one preconfigured number—such as the front office—while a longer press-and-hold will call a second preconfigured number, such as a security desk.

An optional room sound reinforcement panel allows users to play audio from a local source such as a computer or smartphone. Incoming broadcasts and calls mute the local audio, making sure users never miss an alert or announcement.

The Carina Wall Mount IP Speaker also has the ability to drive a second, independent and lower-cost Wahsega speaker up to 20 meters away via Cat5e or Cat6 cable. For larger classrooms where a second speaker is needed, the Wahsega Extension Speaker (WL-SPKR-xx-A) can be used to increase audio coverage without the need for a second PoE homerun. Alternately, the Carina Wall Mount IP Speaker can be used in conjunction with the Wahsega Second Room Speaker (WL-SPKR-xx-2R) for independent control of two separate rooms, using only one PoE port and cable homerun.

The Carina Event Manager automatically discovers and registers the Carina Wall Mount IP Speaker at startup, and all programming and configuration can be handled individually or in bulk through the Carina Event Manager dashboard. This greatly simplifies the installation process and makes it easy to manage the system once installed.

Job Name:	<input type="text"/>	Model Numbers:	<input type="text"/>	Date:	<input type="text"/>
Location:	<input type="text"/>	Notes:	<input type="text"/>		

Features

- Dual registration: SIP and Carina
- PoE 802.3af enabled (Power-over-Ethernet)
- Industry-leading low standby power
- Fully configurable via Carina Event Manager
- Auto-discovery on the Wahsega Carina Event Manager
- QR code label for easy MAC address ID
- Simple surface-mount wall installation
- Integrated status LED
- Able to drive second Wahsega speaker up to 20m away via Cat5e or Cat6
- Integrated microphone
- Web-based mic and speaker volume control
- Two onboard relays for door control
- Compatible with standard call buttons
- Advanced call button functionality to reduce false alarms
- RJ45 connections for simplified installation of second speaker and remote sound reinforcement faceplate
- Available sound reinforcement audio input wallplate

Specifications

- Ethernet: 10/100 Mbps
- Power Input: PoE 802.3af
- Standby power: <2 Watts
- Protocol: SIP RFC 3261 compatible
- Audio Codecs: 16-bit PCM (uncompressed), u-law (G.711u), a-law (G.711a), G.722, G.729
- Audio Sampling: 8 kHz, 16 kHz, or 32 kHz
- Speaker Drive Capabilities: 8W (5W per speaker when driving two speakers)
- Speaker Impedance: 8Ω
- Speaker Sensitivity: 96dB 1W/0.5M SPL
- Coverage Angle: 120° / 4 kHz
- Dry Contact Relay Rating: 2A min, 250V AC, 24V DC
- Max PoE Cable Length: 100m (per standard) PoE 10/100 cable length
- Max Secondary Speaker Cat5e or Cat6 Cable Length: 20m
- Temperature Range: -40°C to +60°C
- Dimensions: 9.25" x 7.0" x 4.62"
- Construction: Aluminum extrusion with plastic side and faceplates
- Options: Remote Sound Reinforcement Wallplate, Wahsega Auxiliary Speaker
- Warranty: 2 years limited

Job Name: **Model Numbers:** **Date:**

Location: **Notes:**

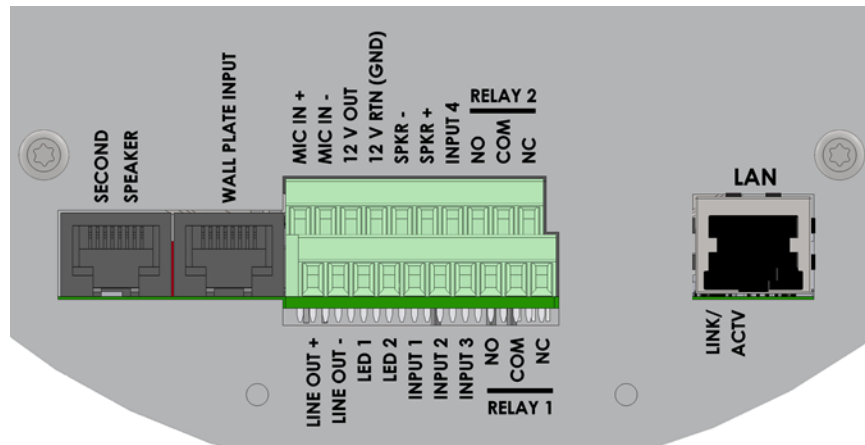
Model Numbers

Primary Speaker

WL-SPKR-SMT-CAR

Wahsega Labs	Speaker	Mount	Protocol
WL	SPKR	SMT	CAR
Wahsega Labs	Speaker	22 = 2x2 Lay-in SMT = Surface Mount	CAR = Carina INF = InformaCast

Connections



Installation

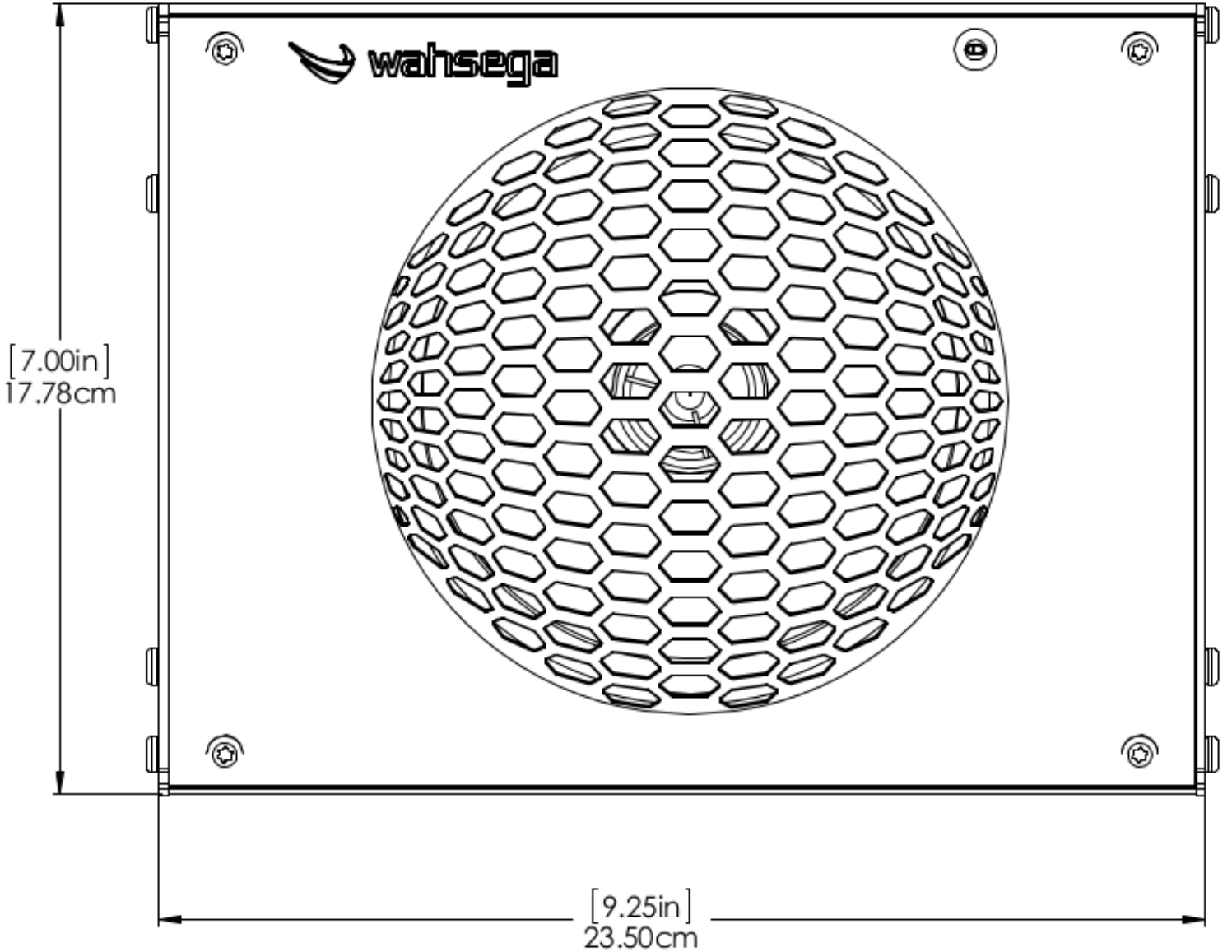
Simple, surface mount wall installation with rear conduit access and side raceway access for wiring. Power supplied via Power-over-Ethernet (PoE 802.3af).

Job Name: Model Numbers: Date:

Location: Notes:

Dimensions

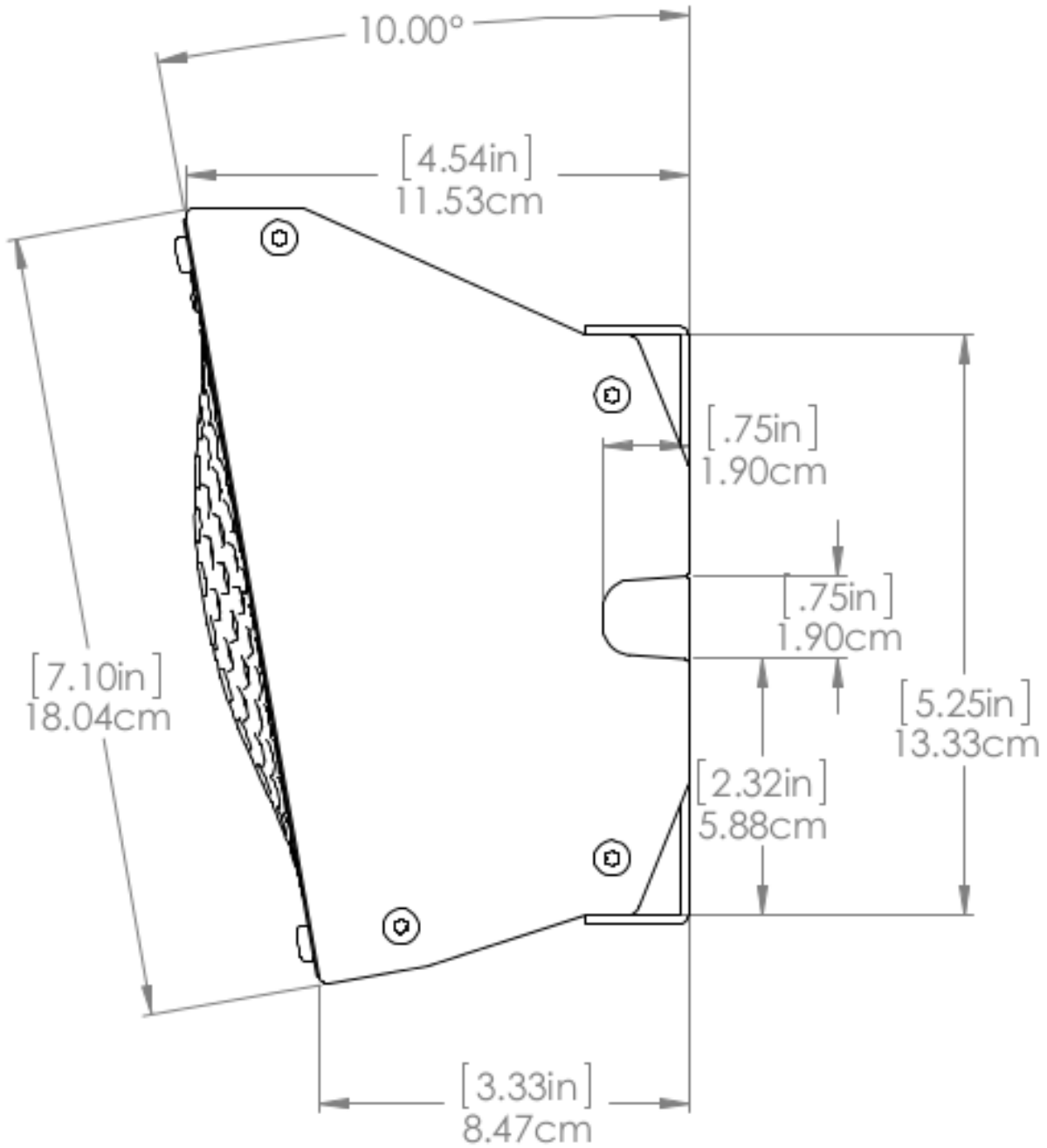
Front View



Job Name: Model Numbers: Date:

Location: Notes:

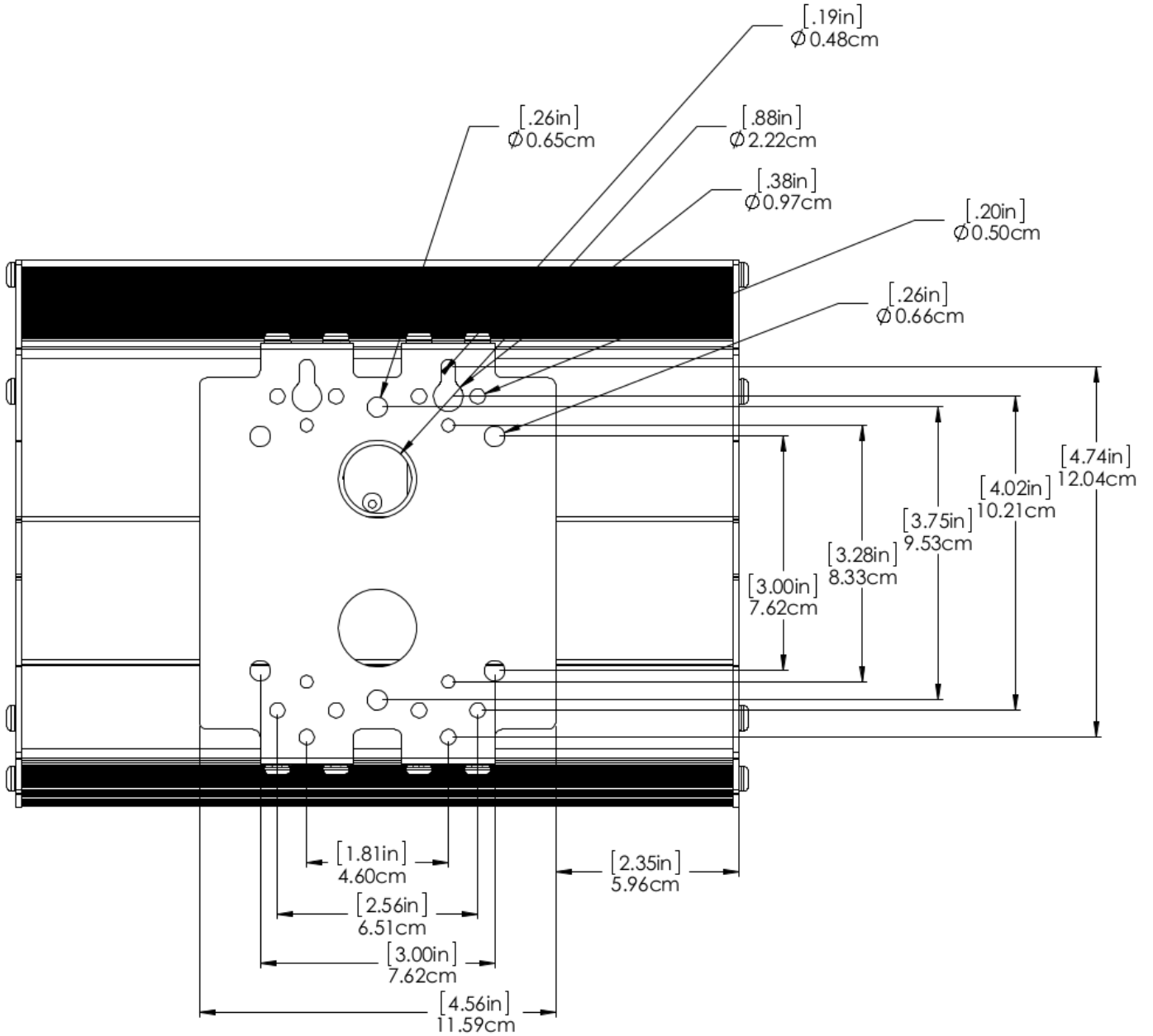
Side View



Job Name: Model Numbers: Date:

Location: Notes:

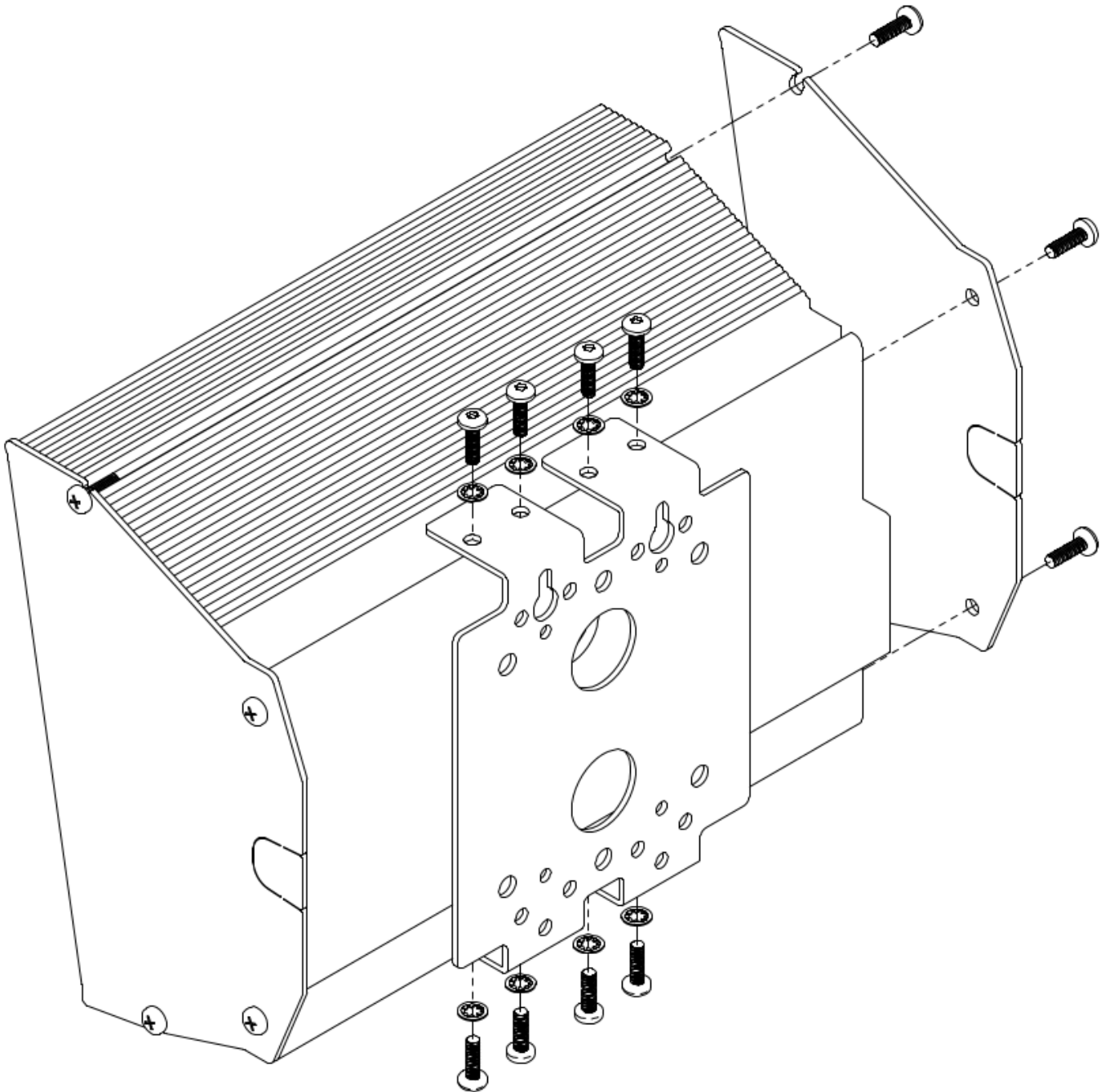
Rear View



Job Name: Model Numbers: Date:

Location: Notes:

Installation View



Job Name: Model Numbers: Date:

Location: Notes: