

Surface Mount Extension Speaker



Description

The Surface Mount Extension Speaker works in conjunction with a Wahsega Primary Speaker or Wahsega IP display to increase single-room audio coverage without the need for a second PoE cable run.

This Extension Speaker may be used with Wahsega primary Wall-Mount, Ceiling-Mount and IP Display speakers from any Wahsega product family, including Carina and InformaCast. The Extension Speaker is not a standalone speaker.

All audio and data is provided from the primary speaker, and all programming is configured through the primary speaker or display. Once the primary speaker or display is properly programmed, this speaker will play the same audio as the primary speaker or display to which it is connected.

Features

- PoE provided by primary speaker
- Industry-low standby power consumption
- Simple drop-in ceiling grid installation
- Integrated status LED
- Web-based speaker volume control
- RJ45 connection for simplified installation

Job Name: **Model Numbers:** **Date:**

Location: **Notes:**

Specifications

- Ethernet: 10/100 Mbps
- Power Input: PoE 802.3af (from Wahsega Primary Speaker only)
- Standby power: <2 Watts
- Speaker Drive Capabilities: 5W
- Speaker Impedance: 8Ω
- Speaker Sensitivity: 96dB 1W/0.5M SPL
- Coverage Angle: 120° / 4 kHz
- Max Cat5e or Cat6 Cable distance to Primary Speaker: 20m
- Temperature Range: -40°C to +60°C
- Dimensions: 24" x 24" x 4.44"
- Construction: 24-gauge steel housing with white polyester powdercoat paint
- Warranty: 2 years limited

Model Numbers

WL-SPKR-SMT-A

Wahsega Labs	Speaker	Mount	Functionality
WL	SPKR	SMT	A
Wahsega Labs	Speaker	Surface Mount	A = Extension 2R = Second Room

Installation

Simple, surface mount wall installation with rear conduit access and side raceway access for wiring. Power supplied via Power-over-Ethernet (PoE 802.3af) connection from Wahsega primary speaker. Only one secondary speaker (WL-SPKR-xx-A or WL-SPKR-xx-2R) per Wahsega primary speaker.

Compatibility

WL-SPKR-SMT-CAR
 WL-SPKR-SMT-INF
 WL-SPKR-SMT-CAR-2CH
 WL-SPKR-SMT-INF-2CH

WL-SPKR-22-CAR
 WL-SPKR-22-INF
 WL-SPKR-22-CAR-2CH
 WL-SPKR-22-INF-2CH

WL-IPD-SPKR-510-CAR
 WL-IPD-SPKR-510-INF
 WL-IPD-SPKR-510-CAR-2CH
 WL-IPD-SPKR-510-INF-2CH
 WL-IPD-SPKR-520-CAR
 WL-IPD-SPKR-520-INF

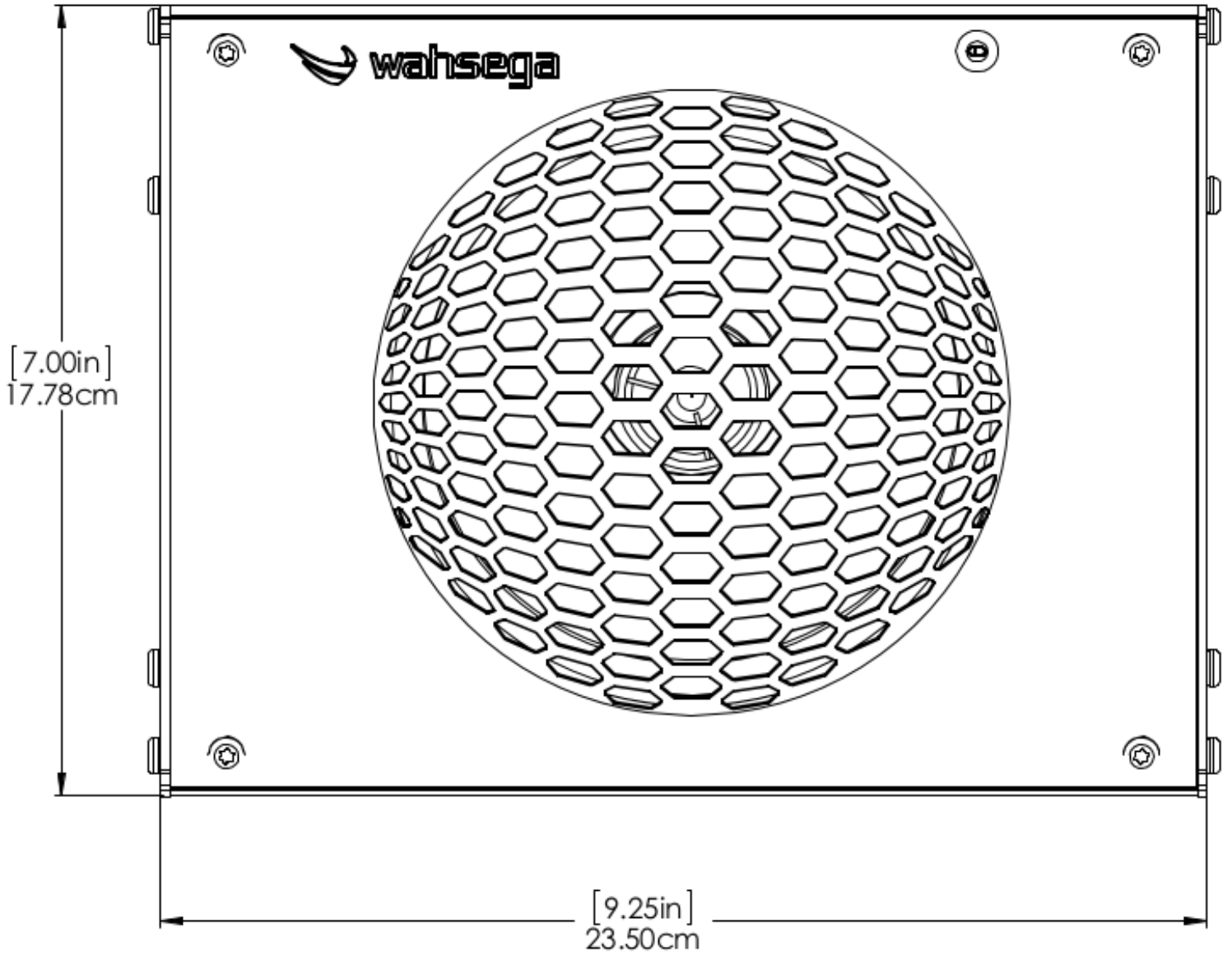
WL-IPD-SPKR-510D-CAR
 WL-IPD-SPKR-510D-INF
 WL-IPD-SPKR-510D-CAR-TM
 WL-IPD-SPKR-510D-INF-TM
 WL-IPD-SPKR-540-CAR
 WL-IPD-SPKR-540-INF

Job Name:
Model Numbers:
Date:

Location:
Notes:

Dimensions

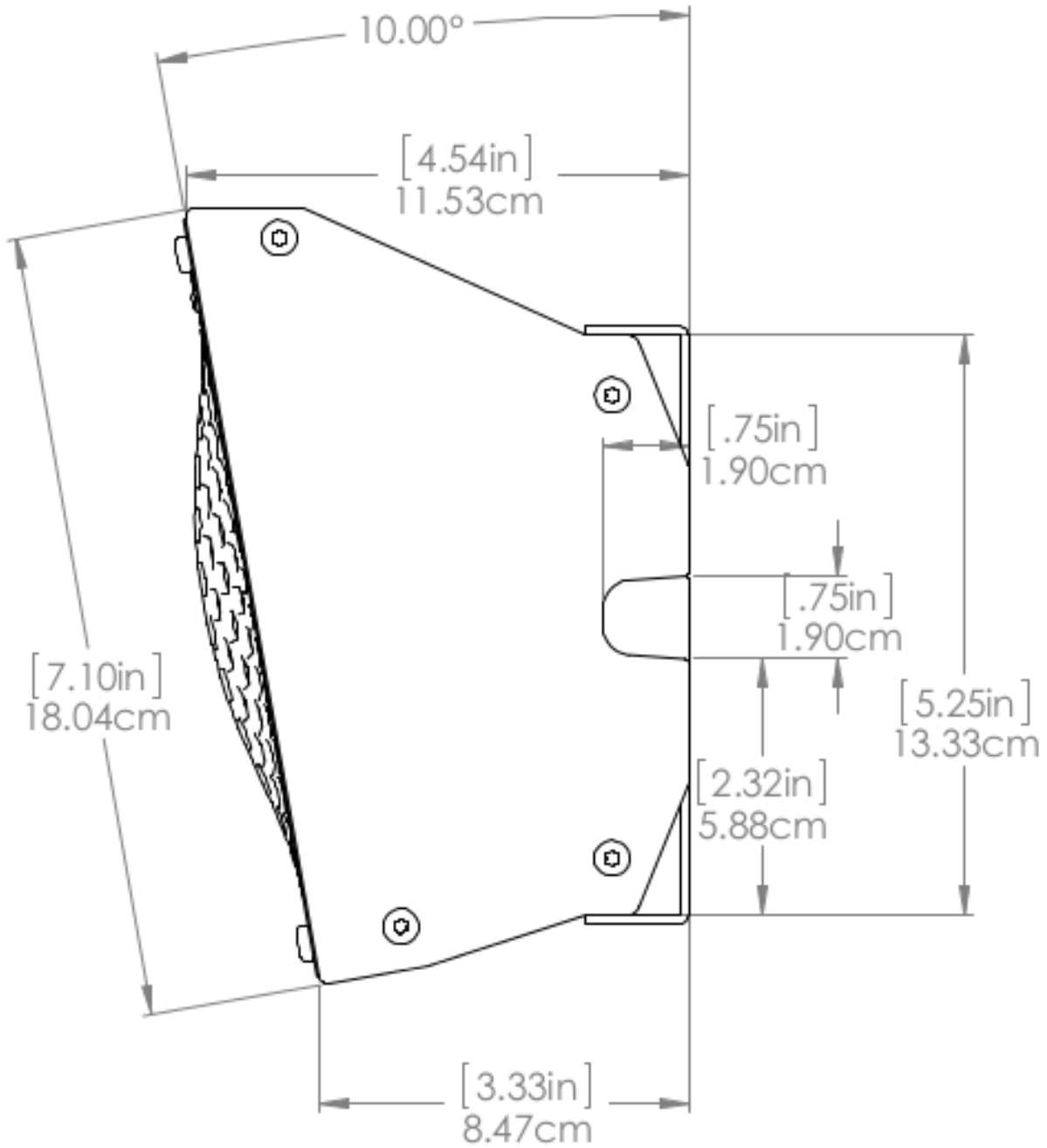
Front View



Job Name: Model Numbers: Date:

Location: Notes:

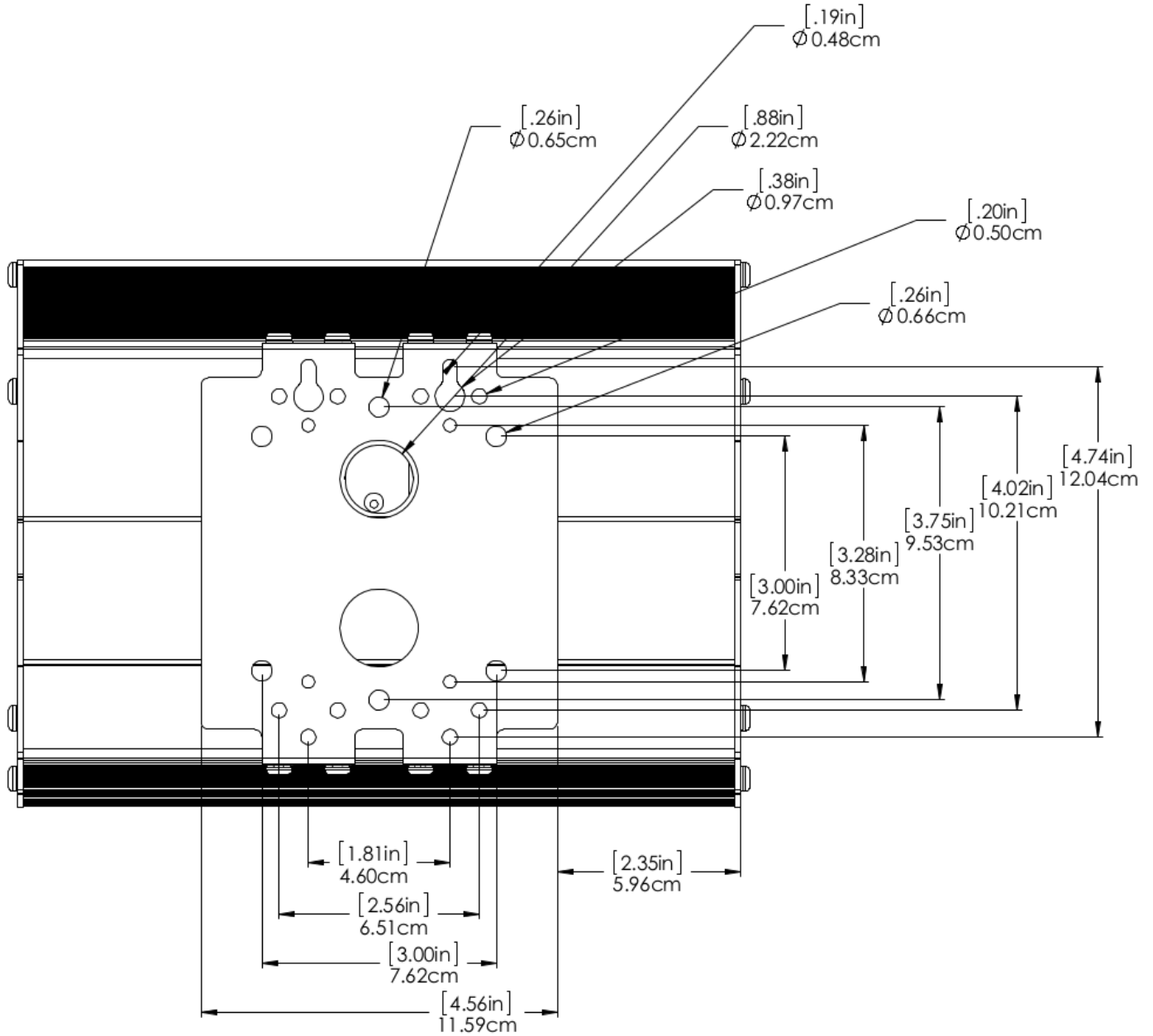
Side View



Job Name: Model Numbers: Date:

Location: Notes:

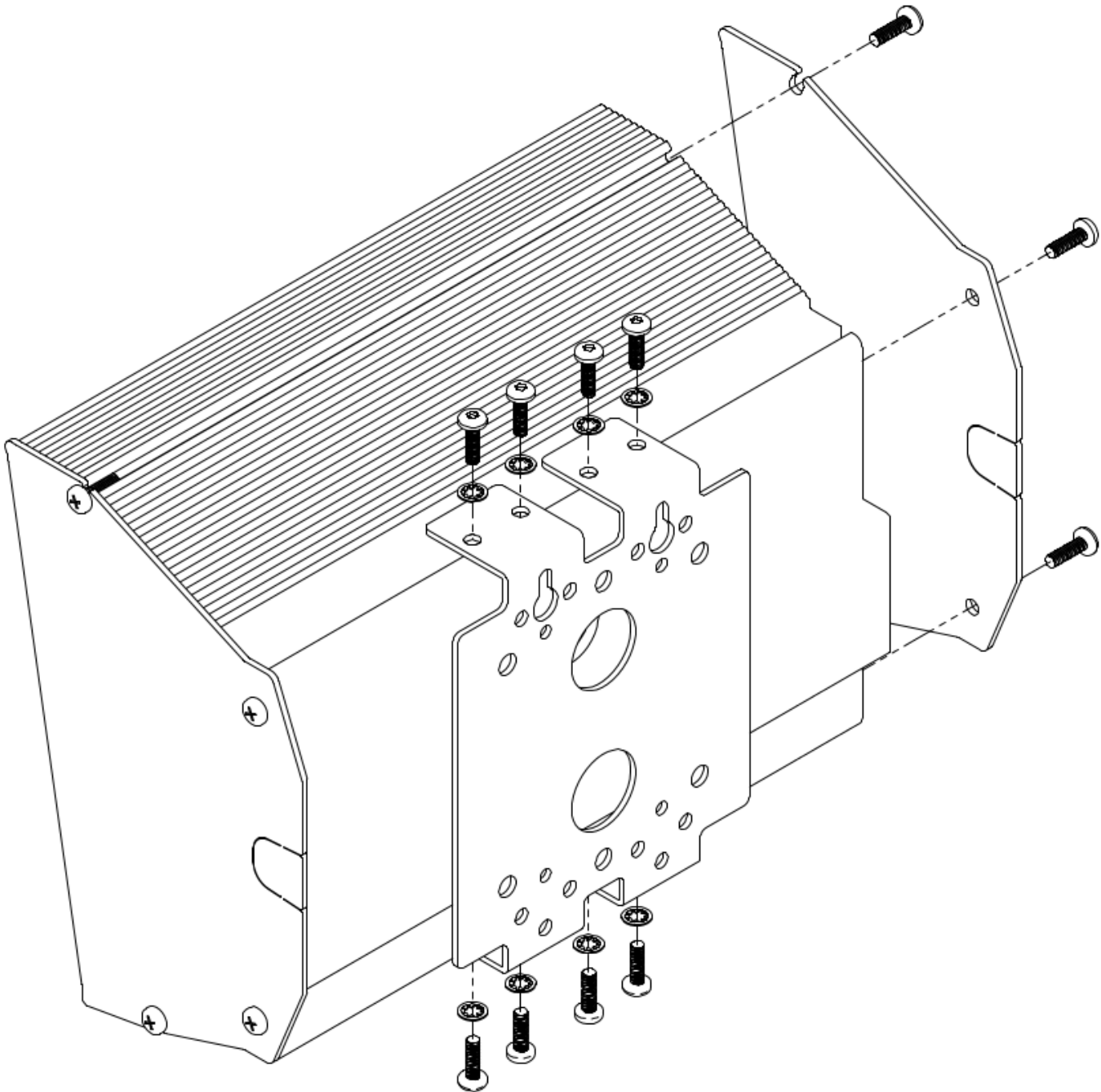
Rear View



Job Name: Model Numbers: Date:

Location: Notes:

Installation View



Job Name:

Model Numbers:

Date:

Location:

Notes: