



# Carina Outdoor Pedestal Intercom


Model No: WL-IC-BKMT-CAR-OV-R

## Description

The Carina Outdoor Pedestal Intercom is a weatherproof outdoor IP intercom designed and manufactured in the USA. With the highest quality two-way audio in the industry, it is perfect for use in manufacturing plants, warehouses, secure outdoor locations, parking garages and multi-tenant office spaces. Greet visitors from any phone on the existing PBX and unlock doors or gates with a simple DTMF code. With PoE power, a durable steel housing and the included vandal resistant security screws, installation is simple and secure. Four bolt holes are located on the rear of the box for mounting on standard gooseneck pedestals. Quickly configure each unit from the central Wahsega Event Manager, which will automatically detect each intercom at startup. One-button, two-button and no-button models all available with optional weather hood. *Note: Ethernet cable may only be connected through the rear conduit access for this model.*

## Key Features

- Fully configurable via Wahsega Carina Event Manager
- SIP Compliant
- PoE 802.3af power
- Environmental noise suppression
- Full-duplex audio with Acoustic Echo Cancellation (AEC)
- Peer-to-peer SIP capable
- Paging speaker function
- On-board relay for door latches
- Mic and speaker volume control
- IP65 weather protection (conformal coated internal circuitry)
- Optional weather hood
- Security screws included

Job Name:	Date:	Location:
Notes:		

# Carina Outdoor Pedestal Intercom

Model No: WL-IC-BKMT-CAR-OV-R

## Specification Submittal

### Specifications

- Ethernet: 10/100 Mbps (Can force 10Mbps Full-Duplex)
- Protocol: SIP RFC 3261 Compatible
- Temperature Range: -40°C to +60°C
- Audio Codecs: G.711 uLaw, G.711 aLaw, G.722 HD, G.726 fixed payload, G.729, DVI4 HD, DVI4 Narrowband, OPUS
- Audio Sampling: Up to 48KHz
- Form C (SPDT) Relay Contact Closure Rating: 30VDC or 270VAC, 3A
- Dimensions: 5.96" x 5.88" x 2.88" (H x W x D)
- Warranty: 3 years limited
- Regulatory Compliance: FCC Class B
- Power Input: PoE 802.3af


### Installation

The Carina Outdoor Pedestal Intercom can be mounted to an exterior wall or pedestal arm installation. Power supplied via Power over Ethernet (PoE) 802.3af. See installation guide for more details.

### Compatibility

Outdoor Weather Hood - WL-BKMT-HOOD-OV



Job Name:	Date:	Location:
Notes:		

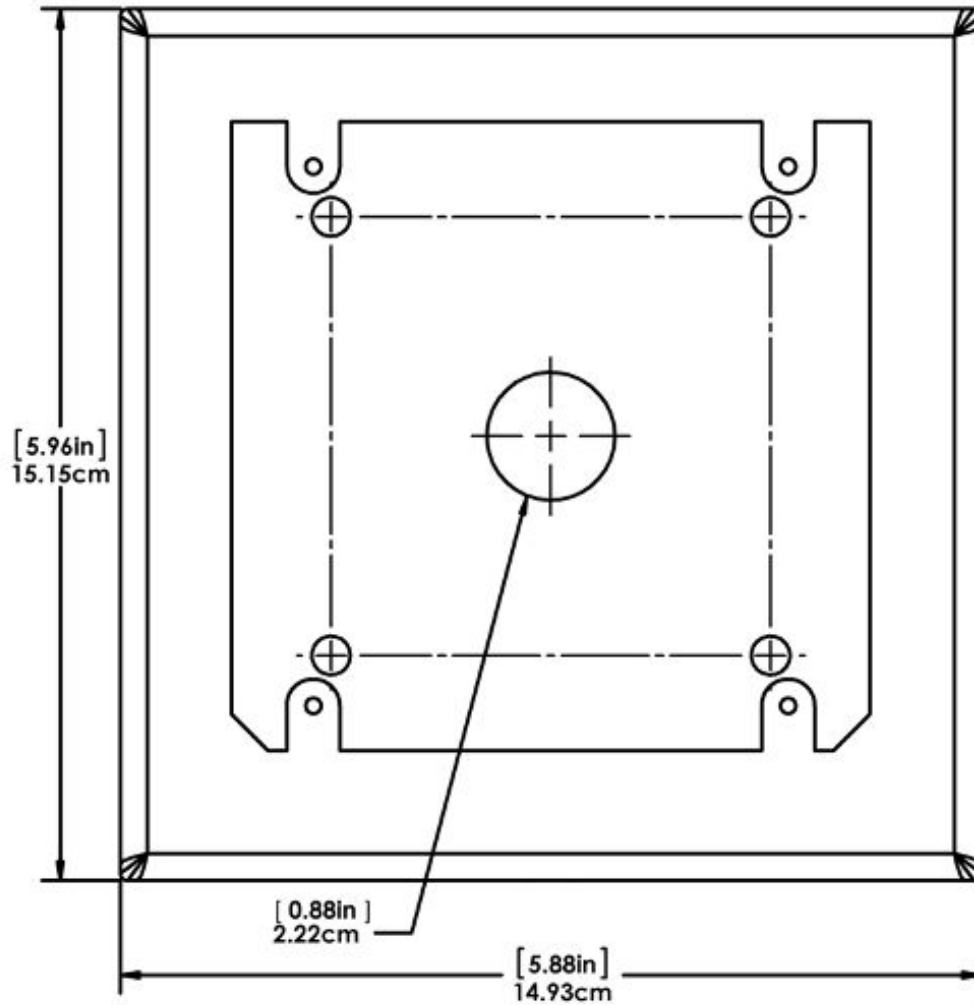
# Carina Outdoor Pedestal Intercom


Model No: WL-IC-BKMT-CAR-OV-R

Specification Submittal

## Dimensions

Front View



Job Name:	Date:	Location:
Notes:		

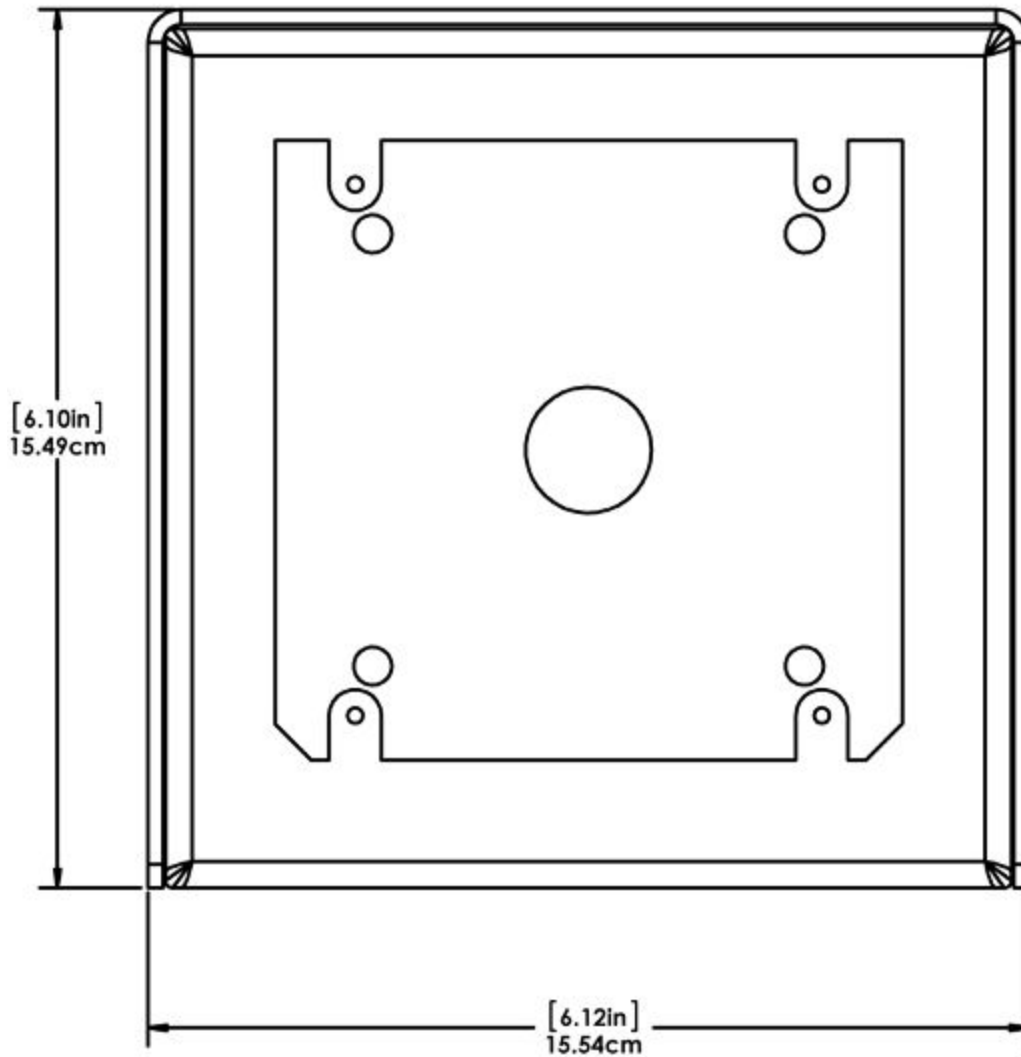
# Carina Outdoor Pedestal Intercom


Model No: WL-IC-BKMT-CAR-OV-R

Specification Submittal

## Dimensions

Front View with Weather Hood



Job Name:	Date:	Location:
Notes:		

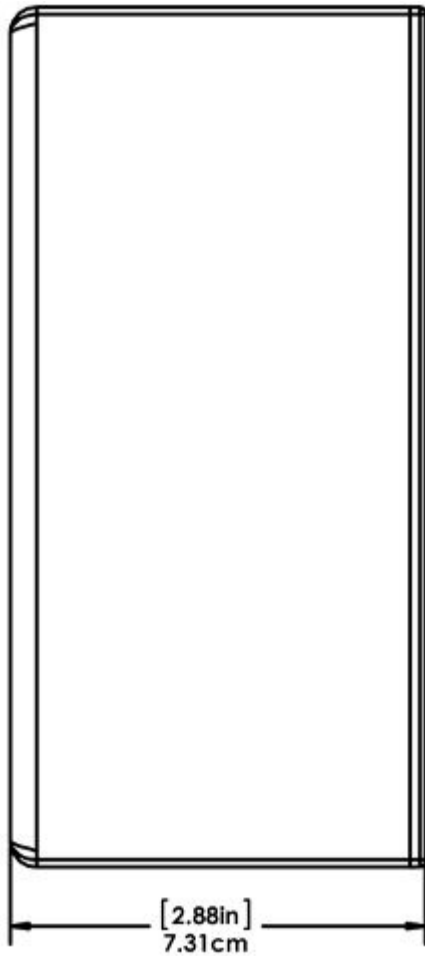
# Carina Outdoor Pedestal Intercom

Model No: WL-IC-BKMT-CAR-OV-R

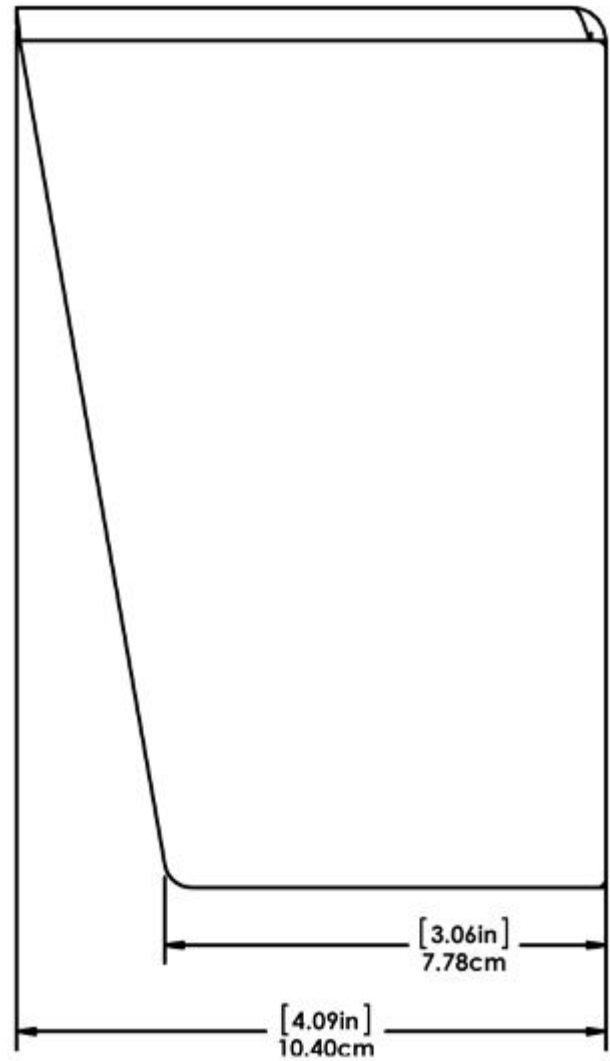
Specification Submittal


## Dimensions

Side View



Side View with Weather Hood



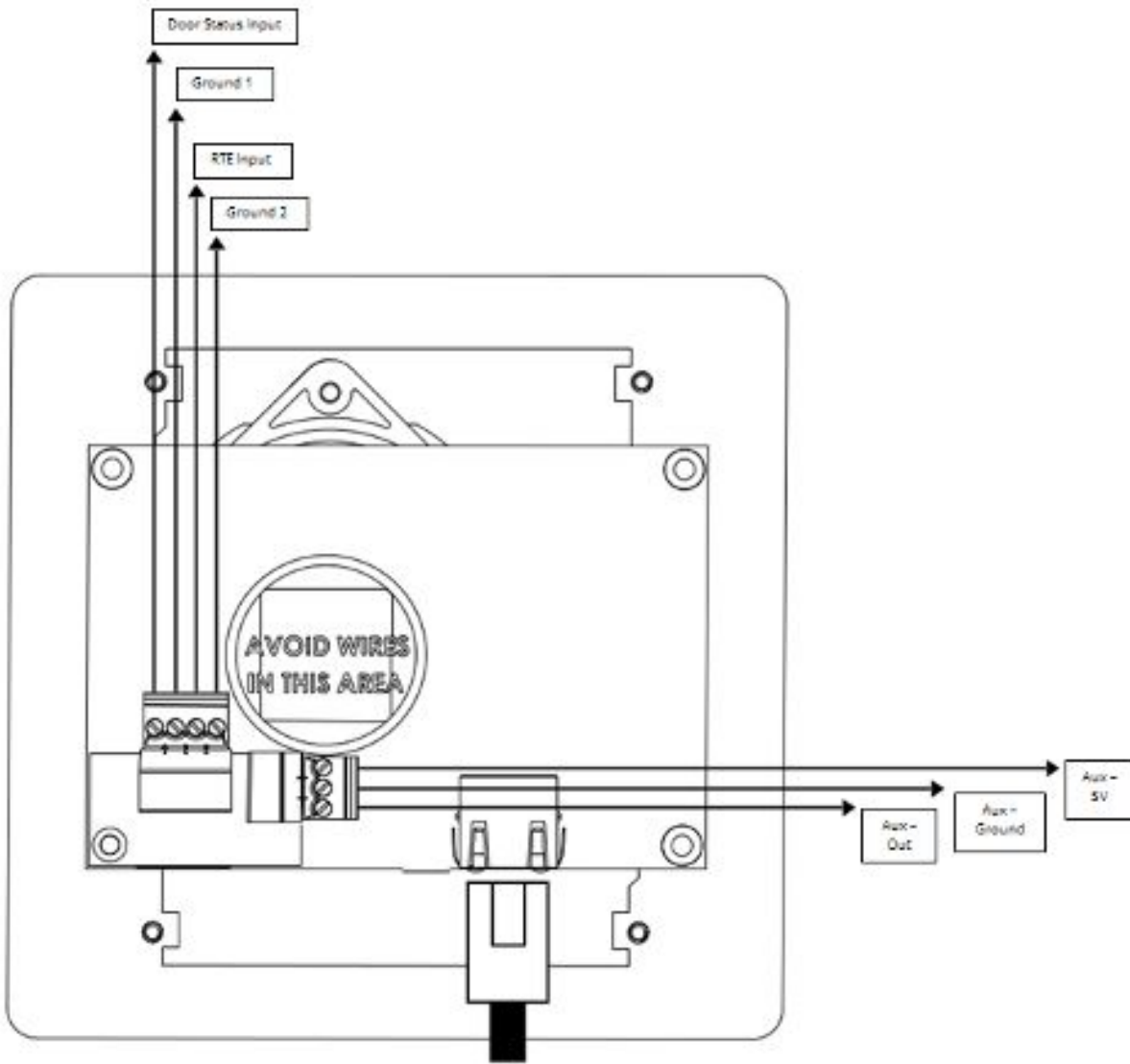
Job Name:	Date:	Location:
Notes:		

# Carina Outdoor Pedestal Intercom

Model No: WL-IC-BKMT-CAR-OV-R

Specification Submittal

## Class 2 (PELV) Terminal Connections



Note: Ethernet cable can ONLY be installed in the orientation shown.

Job Name:	Date:	Location:
Notes:		