



# Wall Mount IP Speaker (Primary)

Model No: WL-SPKR-SMT-CAR

## Description

The Carina Wall Mount IP Speaker receives and plays audio broadcasts from the Carina Event Manager via multicast and can also place and answer two-way SIP calls using an IP PBX such as Wahsega's Carina PBX.

The Carina Wall Mount IP Speaker works with standard call buttons or the Wahsega Call Button. Advanced functionality can reduce the number of false alarms from that call button, as a brief button press places a SIP call to one preconfigured number—such as the front office—while a longer press-and-hold will call a second preconfigured number, such as a security desk.

The Carina Wall Mount IP Speaker also has the ability to drive a second, independent and lower-cost Wahsega speaker up to 20 meters away via Cat5e or Cat6 cable. For larger classrooms where a second speaker is needed, the Wahsega Extension Speaker (WL-SPKR-xx-A) can be used to increase audio coverage without the need for a second PoE homerun. Alternately, the Carina Wall Mount IP Speaker can be used in conjunction with the Wahsega Second Room Speaker (WL-SPKR-xx-2R) for independent control of two separate rooms, using only one PoE port and cable homerun.

## Key Features

- Dual registration: SIP and Carina
- PoE 802.3af enabled (Power-over-Ethernet)
- Industry-leading low standby power
- Fully configurable via Carina Event Manager
- Auto-discovery on the Wahsega Carina Event Manager
- Simple surface-mount wall installation
- Integrated status LED
- Able to drive second Wahsega speaker up to 20m away via Cat5e or Cat6
- Integrated microphone
- Web-based mic and speaker volume control
- Two onboard relays for door control
- Compatible with standard call buttons
- Advanced call button functionality to reduce false alarms
- RJ45 connections for simplified installation of second speaker and remote sound reinforcement faceplate
- Available sound reinforcement audio input wallplate

## Specifications

- Ethernet: 10/100 Mbps
- Power Input: PoE 802.3af
- Standby power: <2 Watts
- Protocol: SIP RFC 3261 compatible
- Audio Codecs: 16-bit PCM (uncompressed), u-law (G.711u), a-law (G.711a), G.722, G.729
- Audio Sampling: 8 kHz, 16 kHz, or 32 kHz
- Speaker Drive Capabilities: 8W (5W per speaker when driving two speakers)
- Speaker Impedance: 8Ω
- Speaker Sensitivity: 96dB 1W/0.5M SPL
- Coverage Angle: 120° / 4 kHz
- Dry Contact Relay Rating: 2A min, 250V AC, 24V DC
- Max PoE Cable Length: 100m (per standard) PoE 10/100 cable length
- Max Secondary Speaker Cat5e or Cat6 Cable Length: 20m
- Temperature Range: -40°C to +60°C
- Weight: 4.36lb
- Dimensions: 10.25" x 7.0" x 4.54"
- Construction: Aluminum extrusion with plastic side and faceplates
- Options: Remote Sound Reinforcement Wallplate, Wahsega Auxiliary Speaker
- Warranty: 3 years limited

## Installation

Simple, surface mount wall installation with side raceway access for wiring. Power supplied via Power over Ethernet (PoE) 802.3af. The Carina Wall Mount IP Speaker can mount to the front a standard 2-gang electrical back box or directly onto the wall, using the appropriate anchors for your surface material. Mounting brackets, screws, washers and lock washers are included.


## Compatibility

### Secondary Speakers

- 2x2 Second Room Ceiling Speaker - WL-SPKR-22-2R
- 2x2 Extension Ceiling Speaker - WL-SPKR-22-A
- Wall Mount Second Room Speaker - WL-SPKR-SMT-2R
- Wall Mount Extension Speaker - WL-SPKR-SMT-A

### Accessories

- Teacher Mic Kit - WL-MIC-WIR-KIT-1-CAR
- Sound Reinforcement Panel - WL-SPKR-RSR-W
- Call / Panic Button - WL-SPKR-RB-W

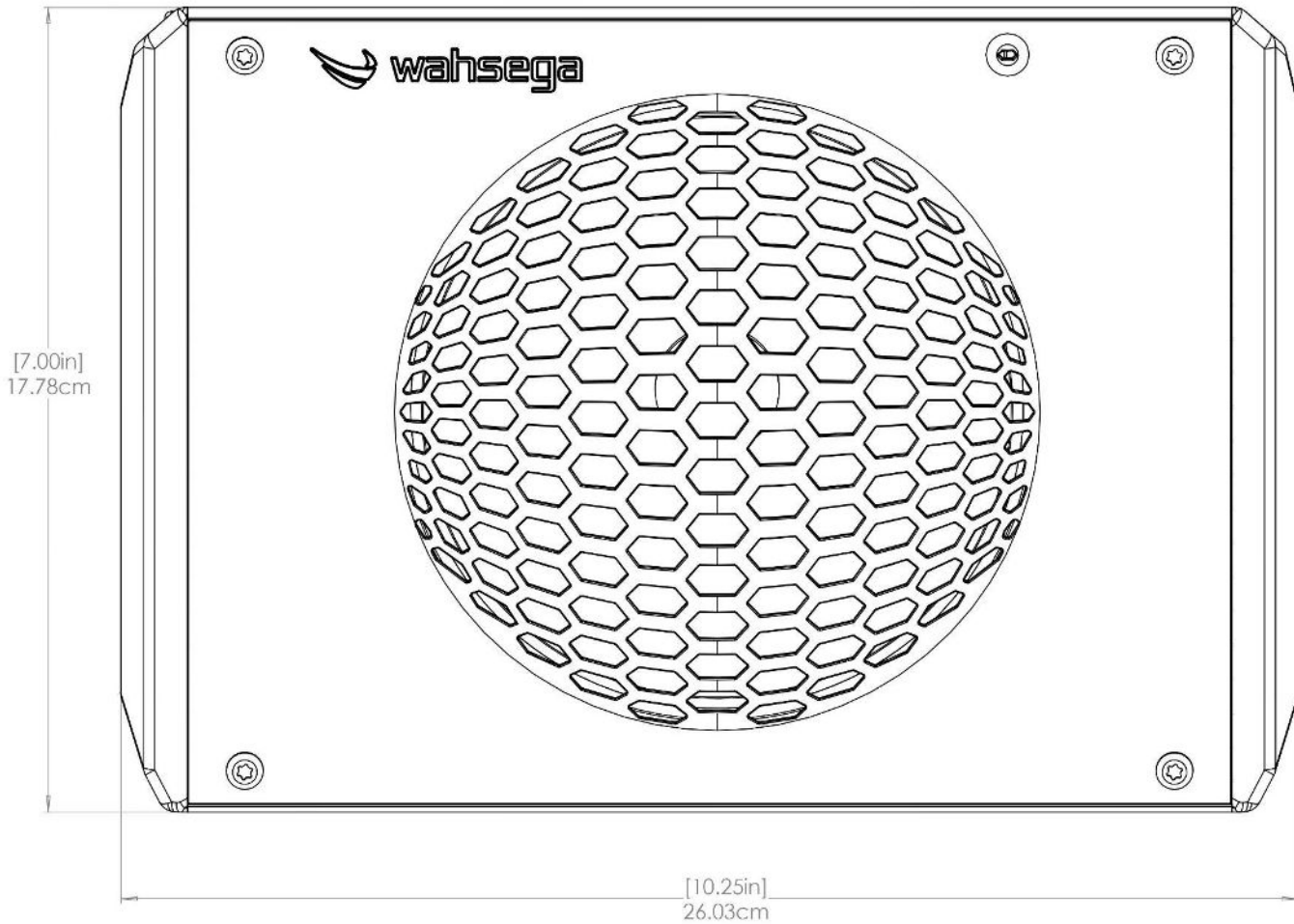
Job Name:	Date:	Location:
Notes:		


# Wall Mount IP Speaker

Model No: WL-SPKR-SMT-CAR

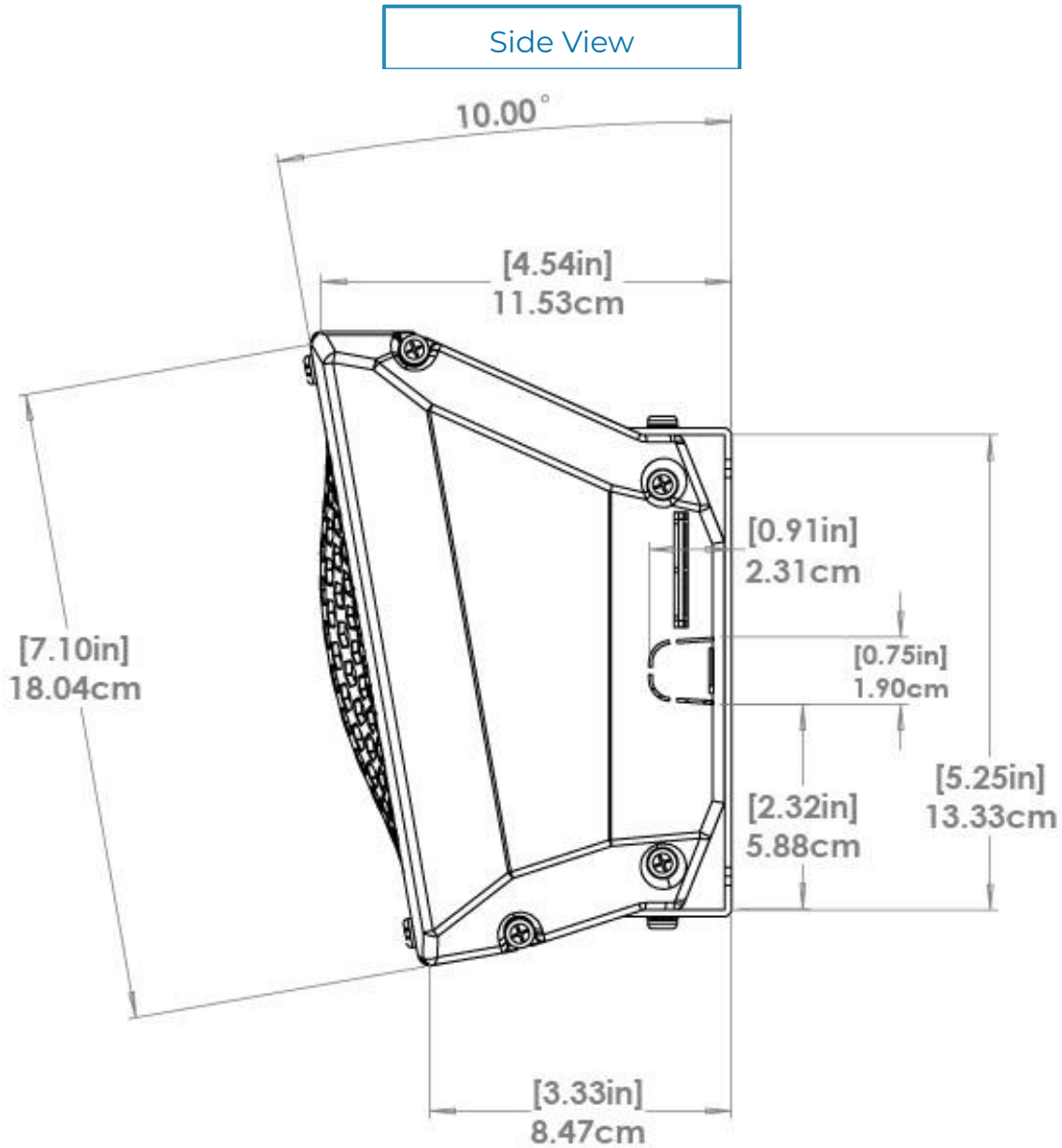
## Dimensions


Front View



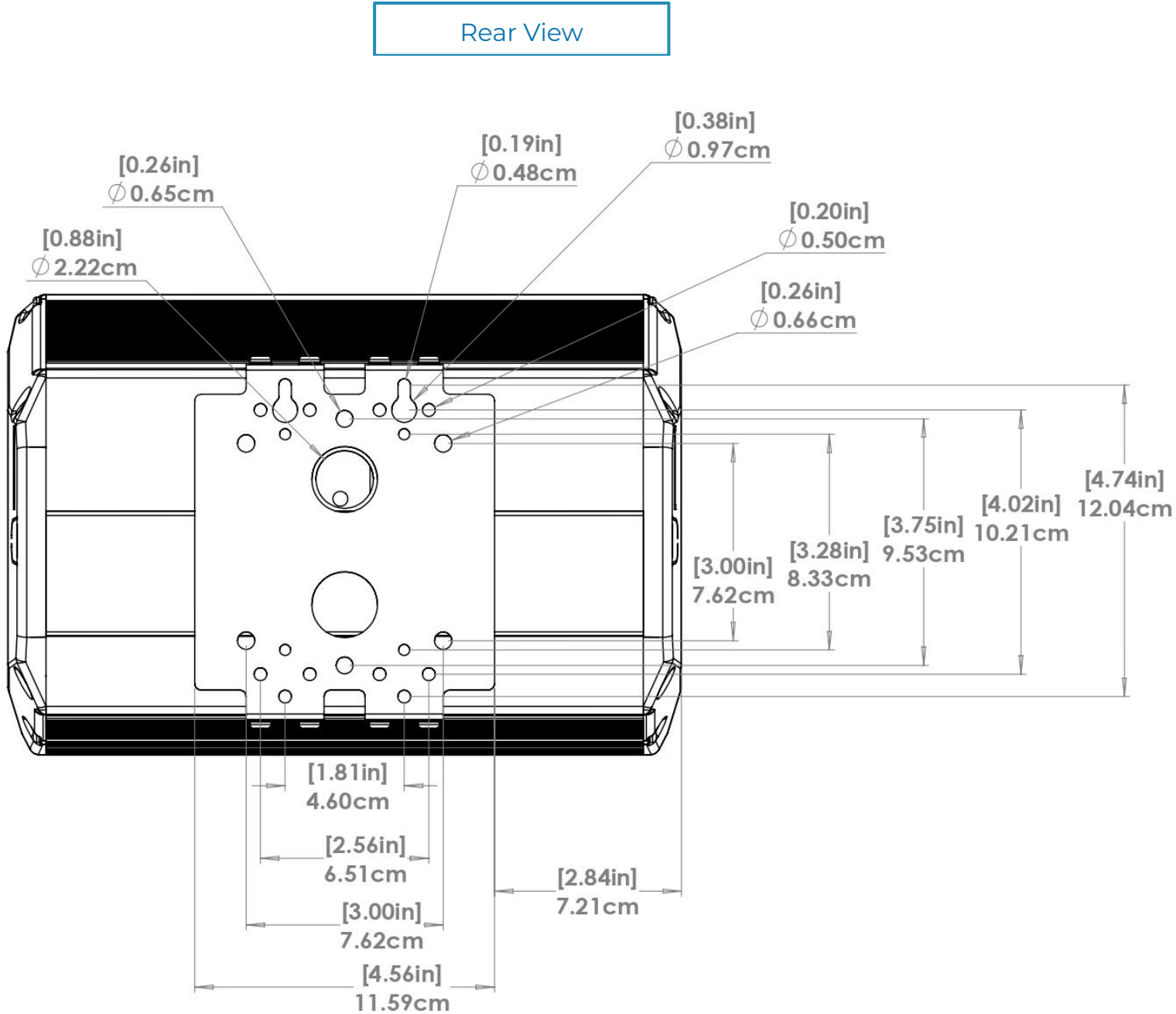
Job Name:	Date:	Location:
Notes:		


## Dimensions



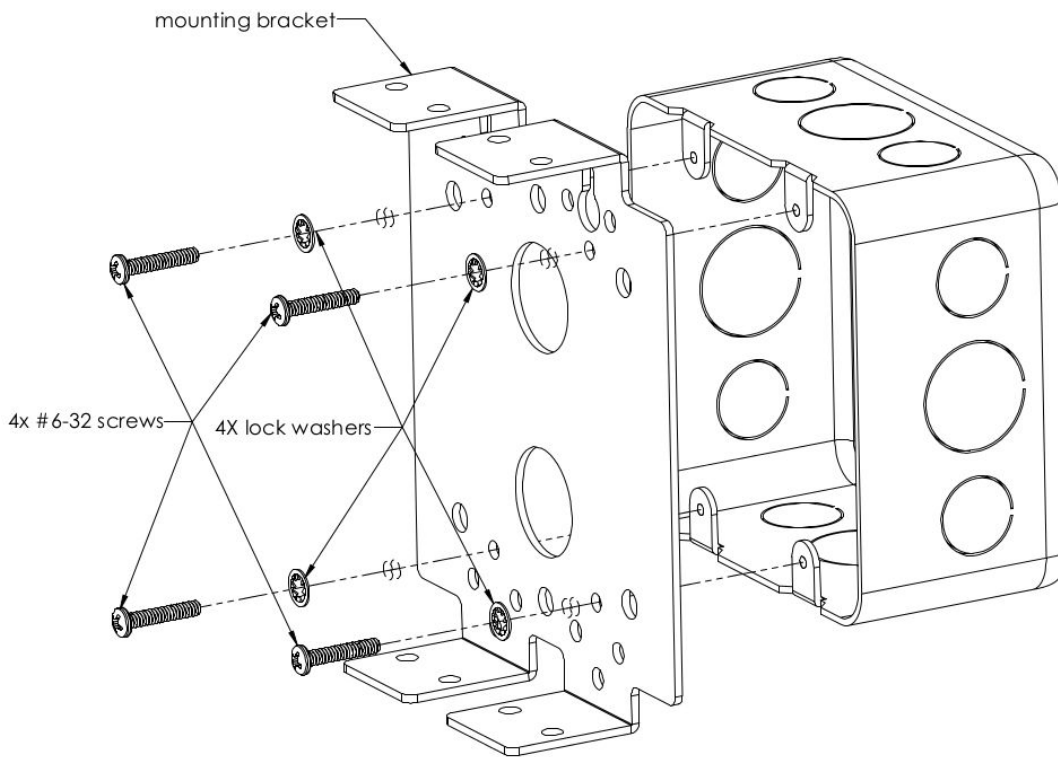
Job Name:	Date:	Location:
Notes:		

## Dimensions




Job Name:	Date:	Location:
Notes:		

### Mounting and Installation



Mounting Bracket

Mount included bracket to the front of a standard two-gang electrical backbox (preferred), using (4) included #6-32 screws and lock washers. If mounting bracket to a solid surface rather than to an electrical backbox, use the appropriate bolts and anchors for that surface.

Job Name:	Date:	Location:
Notes:		

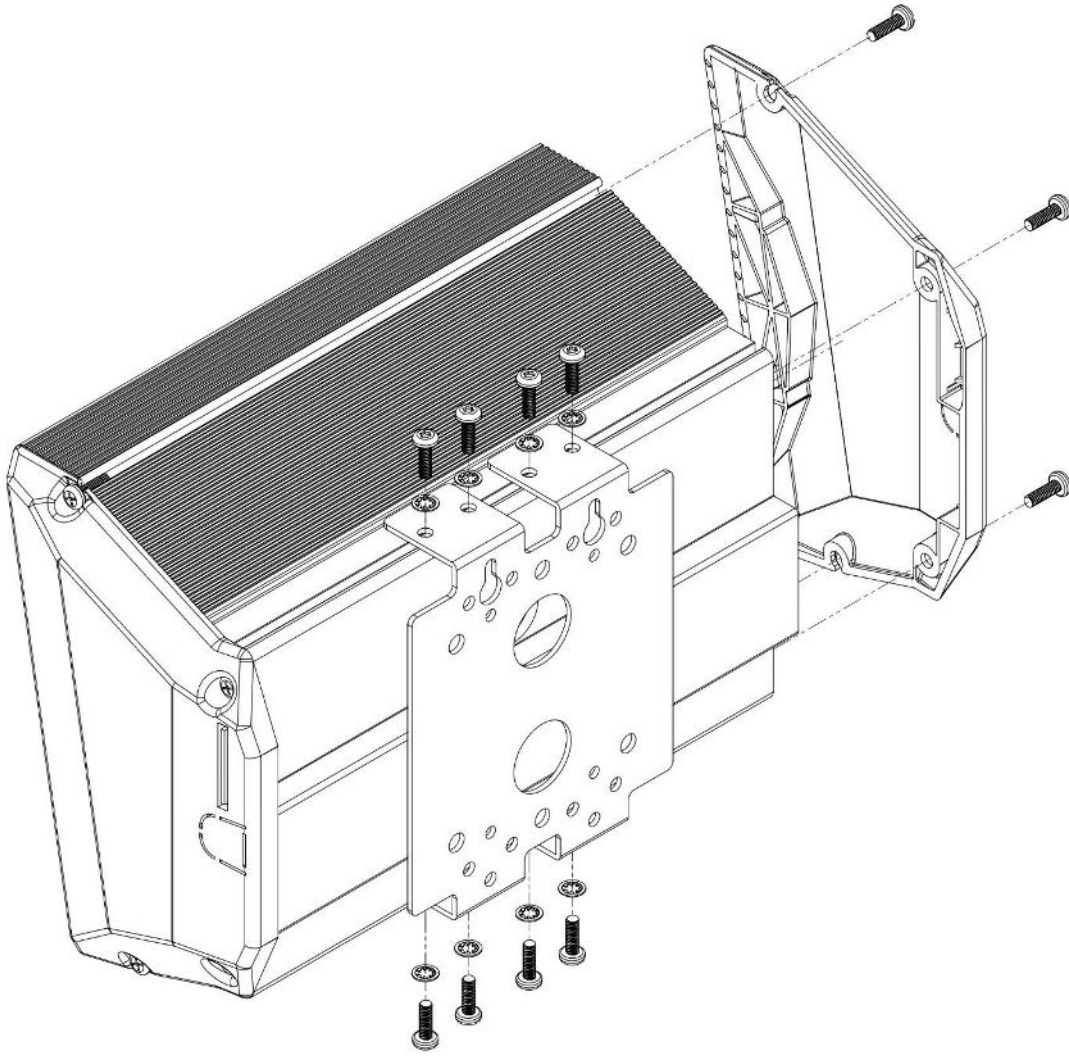
# Wall Mount IP Speaker


Model No: WL-SPKR-SMT-CAR

## Installation

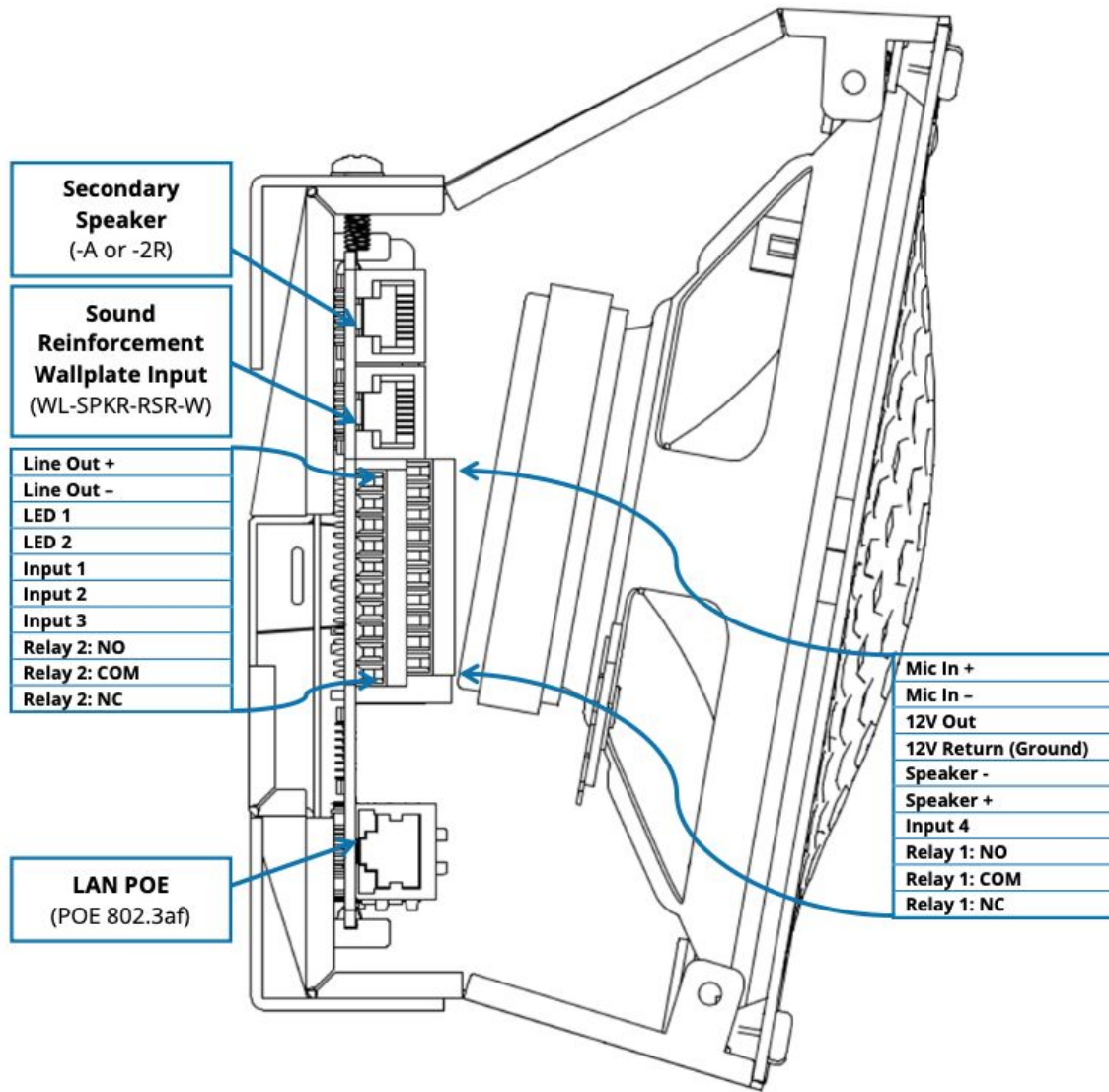
Please see cable routing installation video here - [https://bit.ly/SMT-Cable Installation](https://bit.ly/SMT-Cable%20Installation)


Attach speaker to bracket using included (8) #8-32 screws and washers.



Job Name:	Date:	Location:
Notes:		

## Wiring Diagram



Job Name:	Date:	Location:
Notes:		



### Terminal Blocks

MIC IN +	Unused
MIC IN -	Unused
12 V OUT	Fused, nominal 12V output, max 0.5A. Subject to power capabilities of PoE.
12 V RTN (GND)	Ground
SPKR -	Unused
SPKR +	Unused
INPUT 4	Contact closure to ground (12 V RTN). Connect a Volume Button or SNMP Variable/Trap contact using <i>Input 4</i> and 12 V RTN (GND).
RELAY 1: NO	Isolated dry contact closure. Normally Open.
RELAY 1: COM	Isolated dry contact closure. Common.
RELAY 1: NC	Isolated dry contact closure. Normally Closed.
LINE OUT +	Consumer line input level (-10dBV)
LINE OUT -	Consumer line input level (-10dBV)
LED 1	Unused
LED 2	Unused
INPUT 1	Contact closure to ground (12 V RTN). Connect a Panic/Call Button using <i>Input 1</i> and 12 V RTN (GND).
INPUT 2	Contact closure to ground (12 V RTN). Connect a Volume Button or SNMP Variable/Trap contact using <i>Input 2</i> and 12 V RTN (GND).
INPUT 3	Contact closure to ground (12 V RTN). Connect a Volume Button or SNMP Variable/Trap contact using <i>Input 3</i> and 12 V RTN (GND).
RELAY 2: NO	Isolated dry contact closure. Normally Open.
RELAY 2: COM	Isolated dry contact closure. Common.
RELAY 2: NC	Isolated dry contact closure. Normally Closed.