

2x2 Ceiling IP Speaker (Primary)

Model No: WL-SPKR-22-INF

Description

The 2x2 IP Ceiling Speaker for InformaCast[®] supports dual registration with InformaCast and SIP.


This low-cost, high-quality wall speaker can function as a 2-way intercom and receive broadcast announcements via Singlewire's InformaCast System, all from a single IP speaker.

The Wahsega 2x2 Ceiling IP Speaker works with standard call buttons or the Wahsega IP Call Button. An optional room microphone kit or sound reinforcement panel allows users to play audio from a local source such as a computer or smartphone. Incoming broadcasts and calls mute the local audio, making sure users never miss an alert or announcement.

The Wahsega 2x2 Ceiling Speaker also has the ability to drive a second, independent and lower-cost Wahsega speaker up to 20 meters away via Cat5e or Cat6 cable.

Key Features

- Able to drive second Wahsega classroom speaker up to 20m away via Cat5e or Cat6
- PoE 802.3af enabled (Power-over-Ethernet)
- Industry-leading low standby power
- Fully configurable via InformaCast
- QR code label for easy MAC address ID
- Simple 2x2 grid lay-in ceiling installation
- Standard earthquake tabs for stability
- Integrated status LED
- Integrated microphone
- Two onboard relays for door control
- Compatible with standard call buttons
- Advanced call button functionality to reduce false alarms
- Web-based mic and speaker volume control
- RJ45 connections for simplified installation of second speaker, microphone kit or sound reinforcement panel

Job Name:	Date:	Location:
Notes:		

2x2 Ceiling IP Speaker (Primary)

Specification Submittal

Model No: WL-SPKR-22-INF

Specifications

- Ethernet: 10/100 Mbps
- Power Input: PoE 802.3af
- Standby power: <2 Watts
- Protocol: SIP RFC 3261 compatible
- Audio Codecs: 16-bit PCM (uncompressed), u-law (G.711u), a-law (G.711a), G.722, G.729
- Audio Sampling: 8 kHz, 16 kHz, or 32 kHz
- Speaker Drive Capabilities: 5W
- Speaker Impedance: 8Ω
- Speaker Sensitivity: 96dB 1W/0.5M SPL
- Coverage Angle: 120° / 4 kHz
- Dry Contact Relay Rating: 2A min, 250V AC, 24V DC
- Max PoE Cable Length: 100m (per standard) PoE 10/100 cable length
- Max Auxiliary Speaker Cable Length (Cat5e or Cat6): 20m
- Temperature Range: -40°C to +60°C
- FCC Class A
- Weight: 8.6 lb
- Dimensions: 24" x 24" x 4.44"
- Construction: 24-gauge steel housing with white polyester powder coat paint
- Warranty: 3 years limited

Installation

Standard 2x2 lay-in mounting with earthquake tabs for added stability. Power supplied via Power-over-Ethernet (PoE 802.3af).


Compatibility

Secondary Speakers

- 2x2 Second Room Ceiling Speaker - WL-SPKR-22-2R
- 2x2 Extension Ceiling Speaker - WL-SPKR-22-A
- Wall Mount Second Room Speaker - WL-SPKR-SMT-2R
- Wall Mount Extension Speaker - WL-SPKR-SMT-A

Accessories

- Teacher Mic Kit - WL-MIC-WIR-KIT-1-CAR
- Sound Reinforcement Panel - WL-SPKR-RSR-W
- Call / Panic Button - WL-SPKR-RB-W

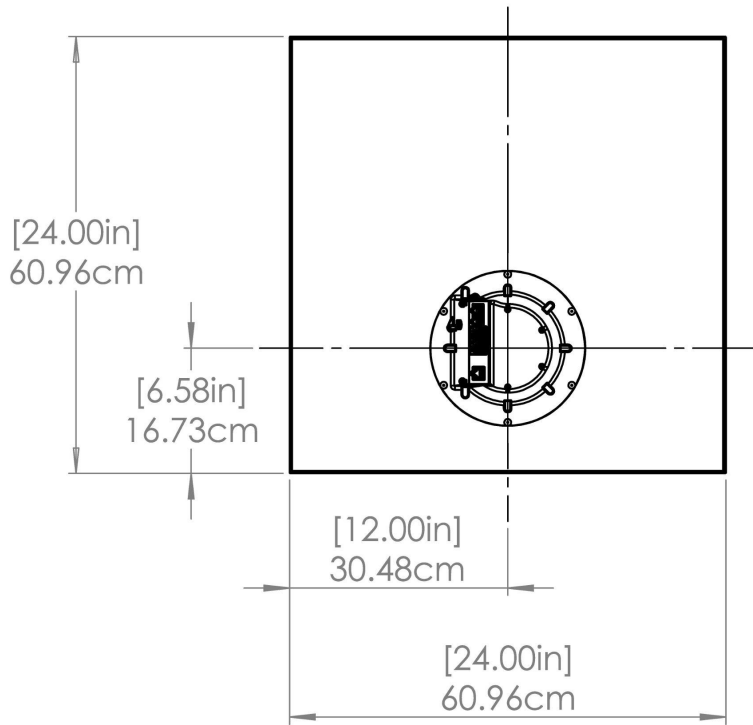
Job Name:	Date:	Location:
Notes:		

2x2 Ceiling IP Speaker (Primary)

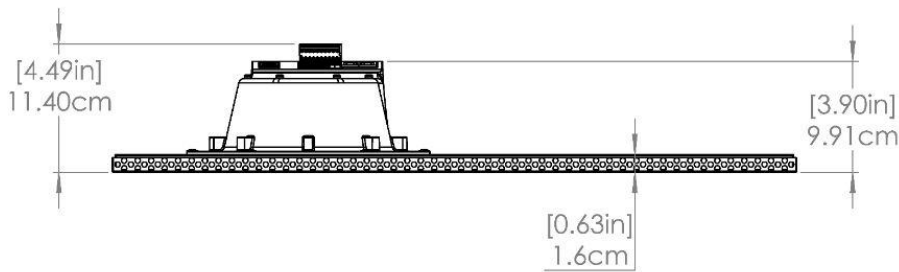
Specification Submittal

Model No: WL-SPKR-22-INF


Dimensions



Length and Width



Ceiling Depth

Job Name:	Date:	Location:
Notes:		


2x2 Ceiling IP Speaker (Primary)

Model No: WL-SPKR-22-INF

Specification Submittal

Connections



Job Name:	Date:	Location:
Notes:		

2x2 Ceiling IP Speaker (Primary)

Specification Submittal

Model No: WL-SPKR-22-INF

Terminal Blocks

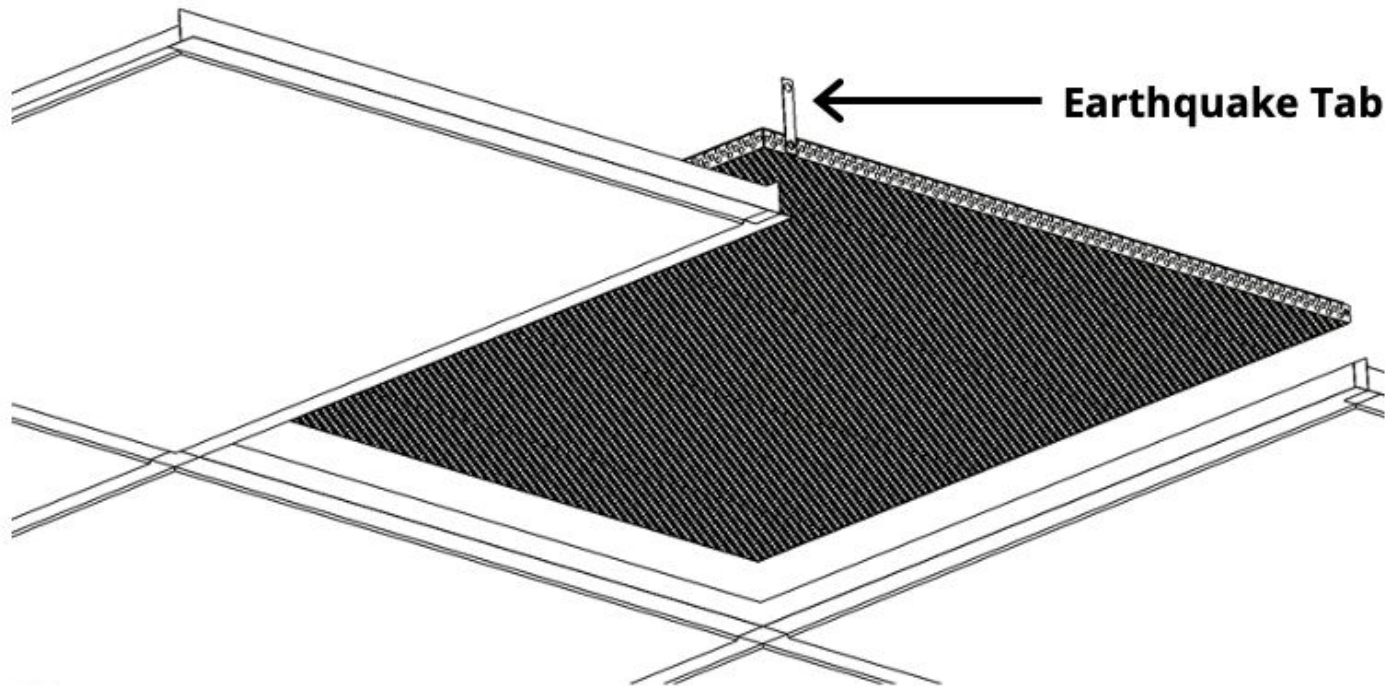
MIC IN +	Unused
MIC IN -	Unused
12 V OUT	Fused, nominal 12V output, max 0.5A. Subject to power capabilities of PoE.
12 V RTN (GND)	Ground
SPKR -	Unused
SPKR +	Unused
INPUT 4	Contact closure to ground (12 V RTN). Connect a Volume Button or SNMP Variable/Trap contact using <i>Input 4</i> and 12 V RTN (GND).
RELAY 1: NO	Isolated dry contact closure. Normally Open.
RELAY 1: COM	Isolated dry contact closure. Common.
RELAY 1: NC	Isolated dry contact closure. Normally Closed.
LINE OUT +	Consumer line input level (-10dBV)
LINE OUT -	Consumer line input level (-10dBV)
LED 1	Unused
LED 2	Unused
INPUT 1	Contact closure to ground (12 V RTN). Connect a Panic/Call Button using <i>Input 1</i> and 12 V RTN (GND).
INPUT 2	Contact closure to ground (12 V RTN). Connect a Volume Button or SNMP Variable/Trap contact using <i>Input 2</i> and 12 V RTN (GND).
INPUT 3	Contact closure to ground (12 V RTN). Connect a Volume Button or SNMP Variable/Trap contact using <i>Input 3</i> and 12 V RTN (GND).
RELAY 2: NO	Isolated dry contact closure. Normally Open.
RELAY 2: COM	Isolated dry contact closure. Common.
RELAY 2: NC	Isolated dry contact closure. Normally Closed.

2x2 Ceiling IP Speaker (Primary)

Specification Submittal

Model No: WL-SPKR-22-INF

Installation



1. Lift earthquake tabs until perpendicular to the speaker frame.
2. Carefully angle and lift speaker and place into ceiling grid.
3. Ensure wires and cables are properly connected.
4. Attach earthquake tabs to secure speaker to structure per local building and electrical codes.

