



Wall Mount IP Speaker (Primary)

Model No: WL-SPKR-SMT-INF

Description

The Wahsega Wall Mount IP Speaker supports dual registration with InformaCast[®] and SIP. With classroom sound reinforcement functionality and the ability to drive a second, independent classroom speaker, the surface mounted wall speaker is powered via Power-over-Ethernet (PoE). This low-cost, high-quality wall speaker can function as a 2-way intercom and receive broadcast announcements via Singlewire's InformaCast System, all from a single IP speaker.

With two onboard relays, the Wahsega Wall Mount IP Speaker with InformaCast enables emergency classroom lockdown by controlling door locks for up to two doors.

The Wahsega Wall Mount IP Speaker also has the ability to drive a second, lower-cost Wahsega speaker up to 20 meters away via Cat5e or Cat6 cable. For larger classrooms where a second speaker is needed, an Extension Speaker (WL-SPKR-22-A or WL-SPKR-SMT-A) can be used to increase audio output without the need for a second PoE homerun. Alternately, the Wall Mount IP Speaker can be used in conjunction with the WL-SPKR-22-2R or WL-SPKR-SMT-2R Second Classroom Speaker for independent control of two separate classrooms, using only one PoE homerun.

The InformaCast system will automatically recognize and register the speakers, making programming quick and efficient. Both audible and LED feedback at the speakers will let installers know when their system is up and running. With simple installation and advanced functionality, the Wahsega Wall Mount IP Speaker with InformaCast is perfect for any classroom application, large or small.

Key Features

- PoE 802.3af enabled (Power-over-Ethernet)
- Industry-leading low standby power
- Configurable via InformaCast
- Simple surface-mount wall installation
- Integrated status LED
- Able to drive second Wahsega speaker up to 20m away via Cat5e or Cat6
- Integrated microphone
- Web-based mic and speaker volume control
- Two onboard relays for door control
- Compatible with standard call buttons
- Advanced call button functionality to reduce false alarms
- RJ45 connections for simplified installation of second speaker and remote sound reinforcement faceplate
- Available sound reinforcement audio input wallplate

Specifications

- Ethernet: 10/100 Mbps
- Power Input: PoE 802.3af
- Standby power: <2 Watts
- Protocol: SIP RFC 3261 compatible
- Audio Codecs: 16-bit PCM (uncompressed), u-law (G.711u), a-law (G.711a), G.722, G.729
- Audio Sampling: 8 kHz, 16 kHz, or 32 kHz
- Speaker Drive Capabilities: 8W (5W per speaker when driving two speakers)
- Speaker Impedance: 8Ω
- Speaker Sensitivity: 96dB 1W/0.5M SPL
- Coverage Angle: 120° / 4 kHz
- Dry Contact Relay Rating: 2A min, 250V AC, 24V DC
- Max PoE Cable Length: 100m (per standard) PoE 10/100 cable length
- Max Secondary Speaker Cat5e or Cat6 Cable Length: 20m
- Temperature Range: -40°C to +60°C
- Weight: 4.36lb
- Dimensions: 10.25" x 7.0" x 4.54"
- Construction: Aluminum extrusion with plastic side and faceplates
- Options: Remote Sound Reinforcement Wallplate, Wahsega Auxiliary Speaker
- Warranty: 3 years limited

Installation

Simple, surface mount wall installation with side raceway access for wiring. Power supplied via Power over Ethernet (PoE) 802.3af. The Wahsega Wall Mount IP Speaker can mount to the front a standard 2-gang electrical back box or directly onto the wall, using the appropriate anchors for your surface material. Mounting brackets, screws, washers and lock washers are included.


Compatibility

Secondary Speakers

- 2x2 Second Room Ceiling Speaker - WL-SPKR-22-2R
- 2x2 Extension Ceiling Speaker - WL-SPKR-22-A
- Wall Mount Second Room Speaker - WL-SPKR-SMT-2R
- Wall Mount Extension Speaker - WL-SPKR-SMT-A

Accessories

- Sound Reinforcement Panel - WL-SPKR-RSR-W
- Call / Panic Button - WL-SPKR-RB-W

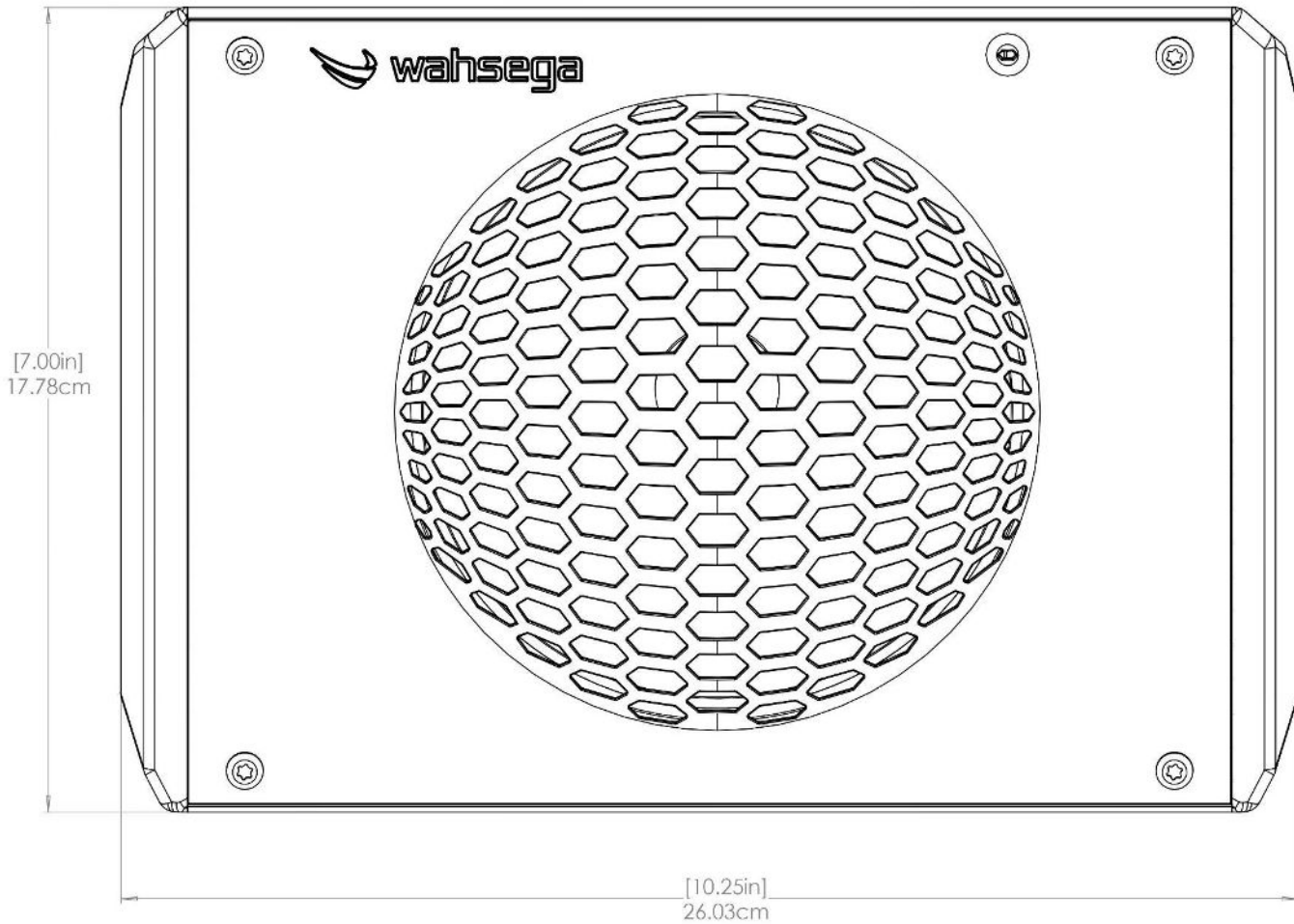
Job Name:	Date:	Location:
Notes:		


Wall Mount IP Speaker

Model No: WL-SPKR-SMT-INF

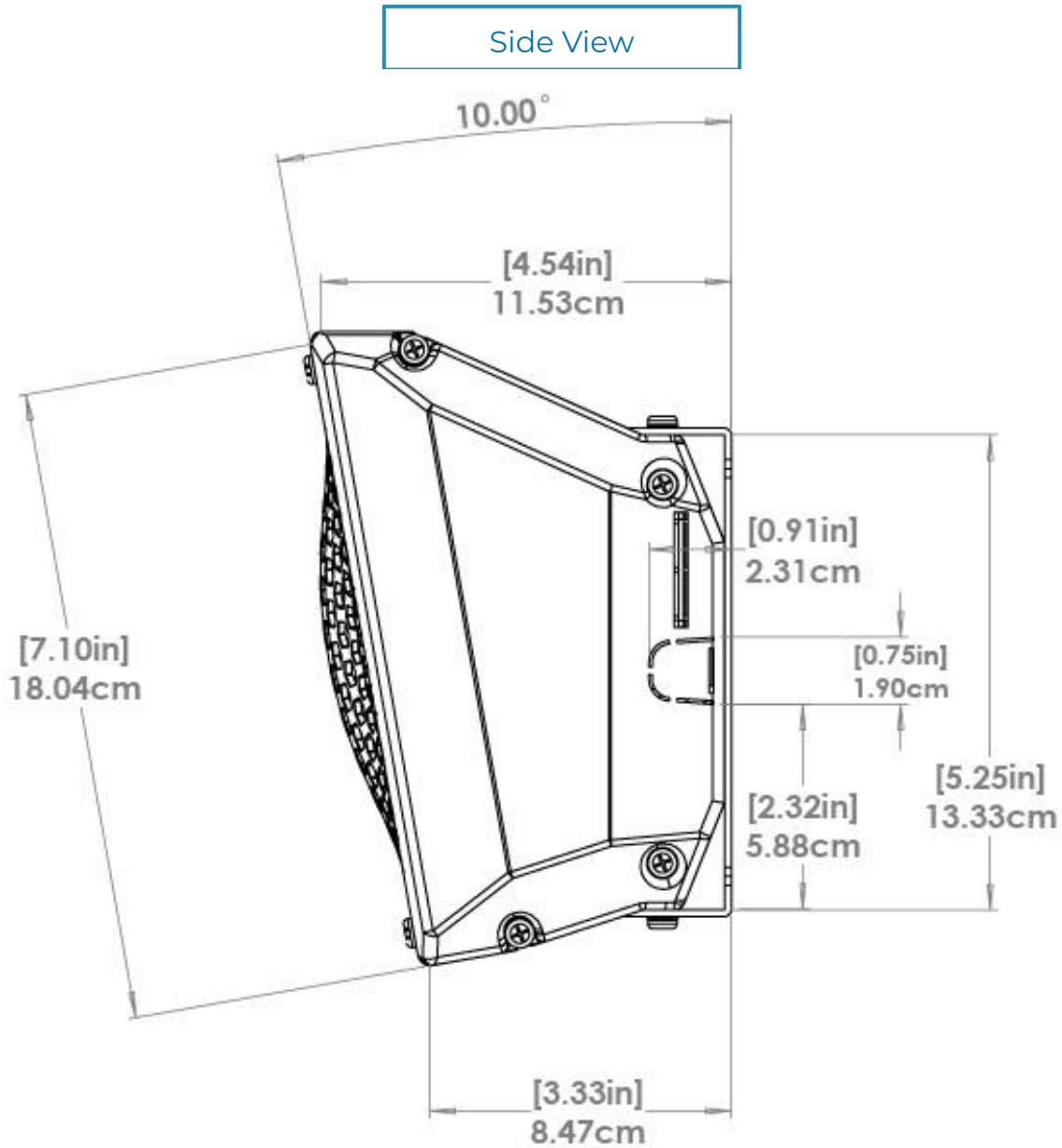
Dimensions


Front View



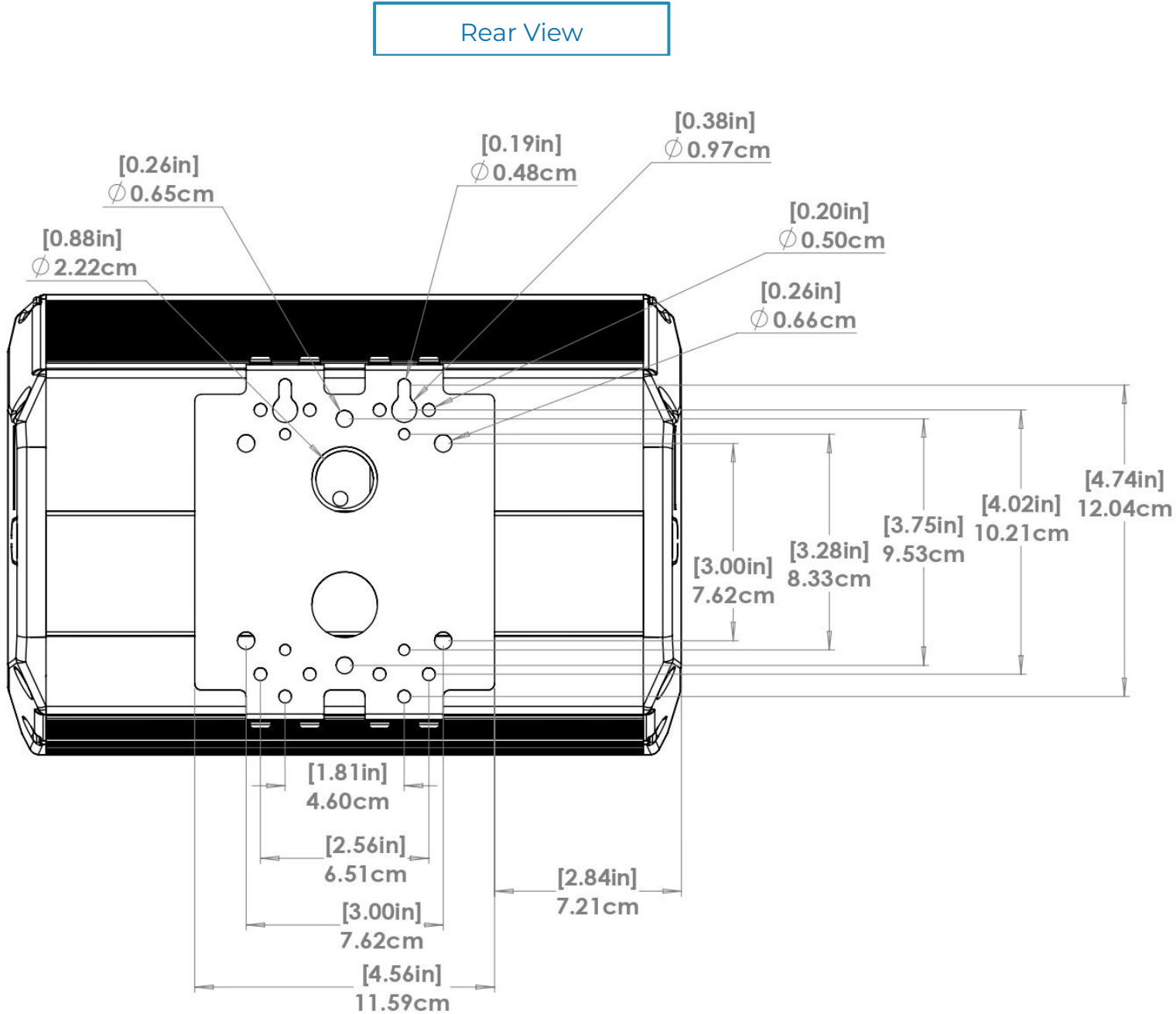
Job Name:	Date:	Location:
Notes:		


Dimensions



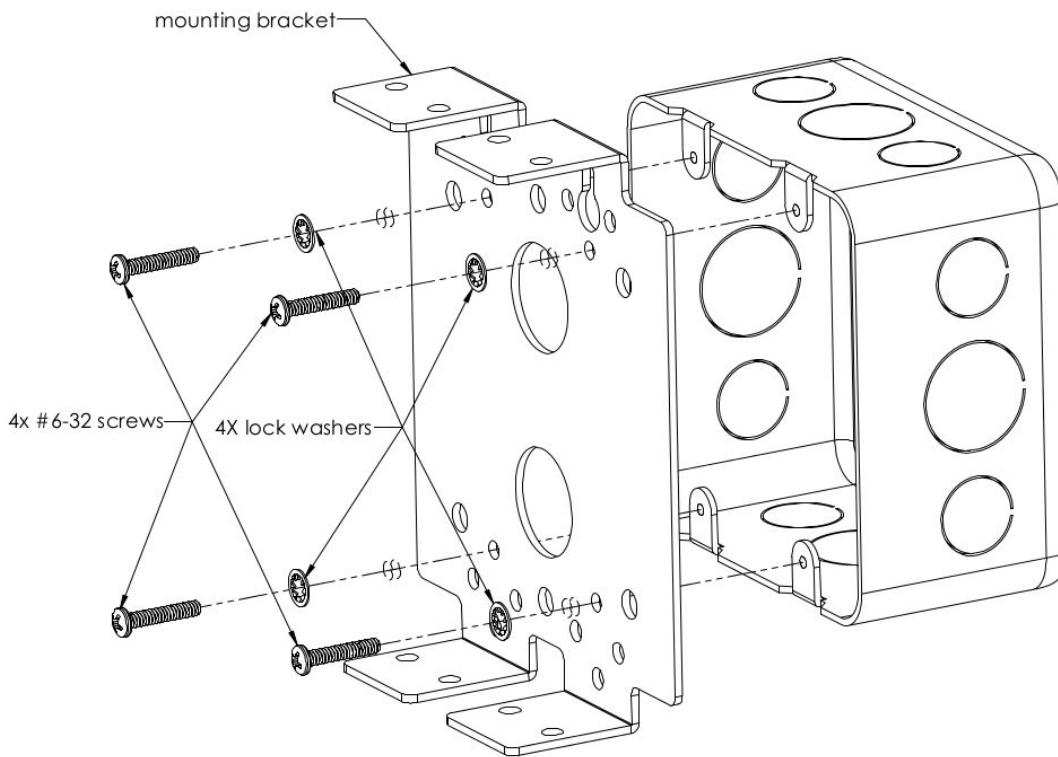
Job Name:	Date:	Location:
Notes:		

Dimensions




Job Name:	Date:	Location:
Notes:		

Mounting and Installation



Mounting Bracket

Mount included bracket to the front of a standard two-gang electrical backbox (preferred), using (4) included #6-32 screws and lock washers. If mounting bracket to a solid surface rather than to an electrical backbox, use the appropriate bolts and anchors for that surface.

Job Name:	Date:	Location:
Notes:		

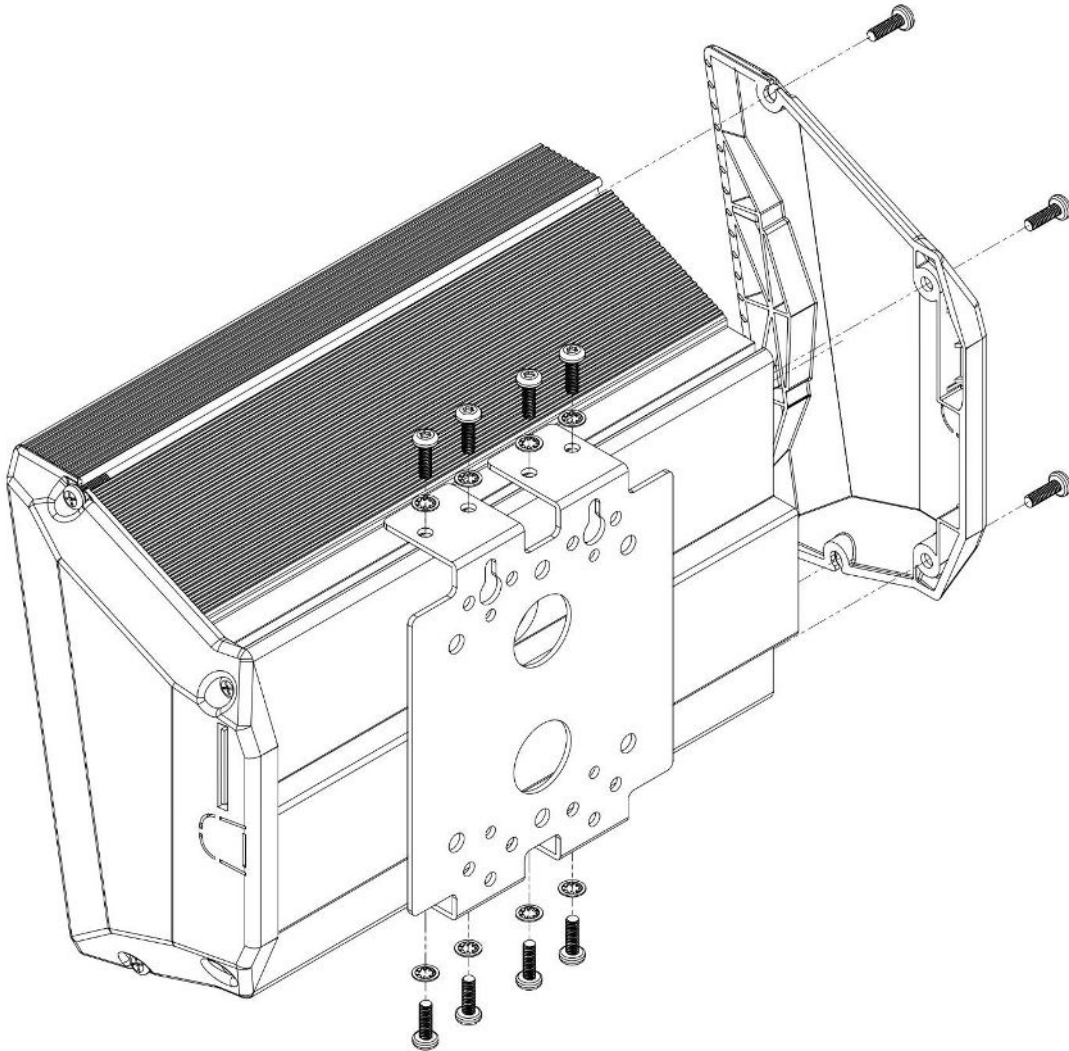
Wall Mount IP Speaker


Model No: WL-SPKR-SMT-INF

Installation

Please see cable routing installation video here - [https://bit.ly/SMT-Cable Installation](https://bit.ly/SMT-Cable%20Installation)

Attach speaker to bracket using included (8) #8-32 screws and washers.

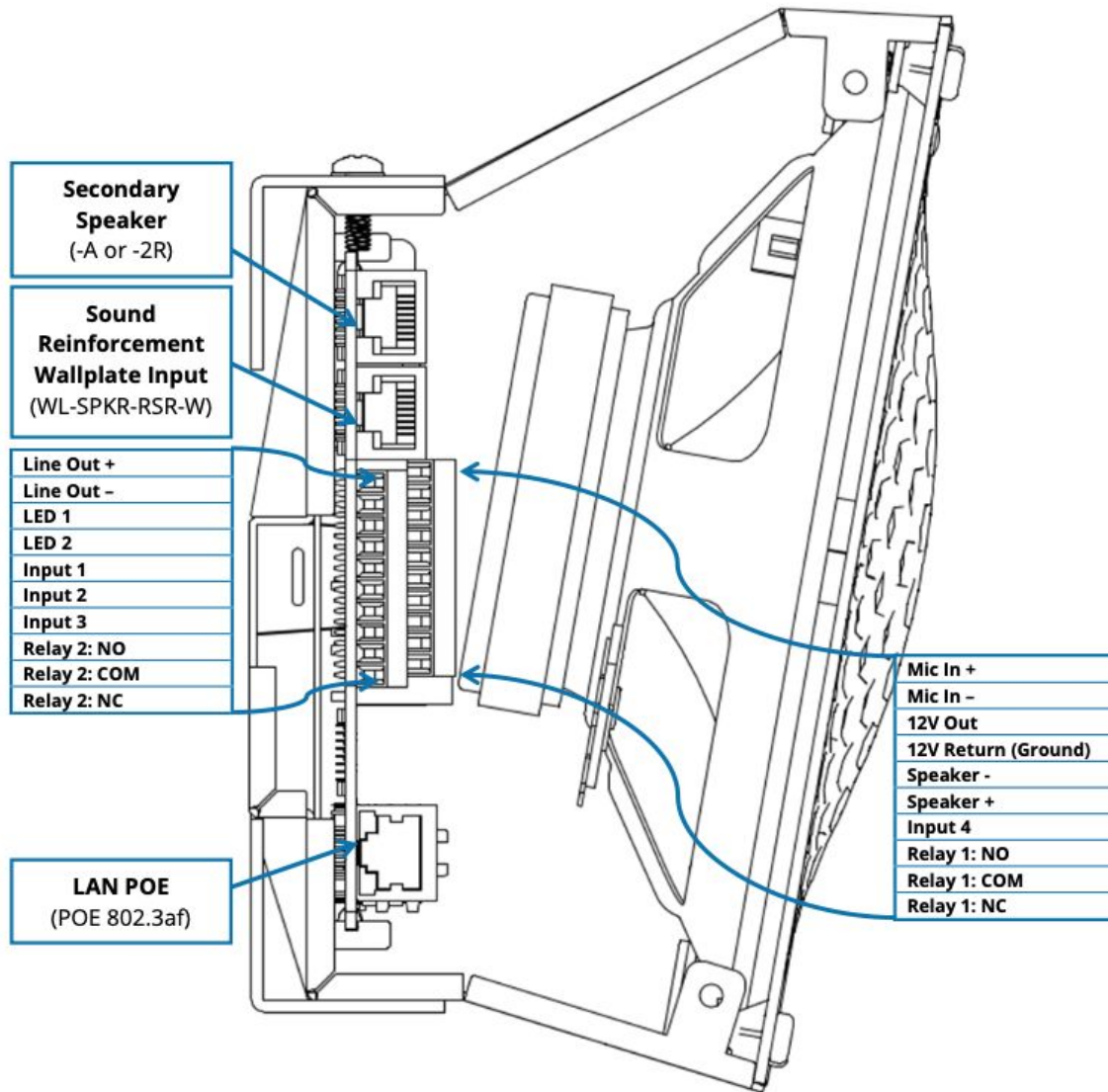



Job Name:	Date:	Location:
Notes:		

Wall Mount IP Speaker

Model No: WL-SPKR-SMT-INF

Wiring Diagram



Job Name:	Date:	Location:
Notes:		

Terminal Blocks

MIC IN +	Unused
MIC IN -	Unused
12 V OUT	Fused, nominal 12V output, max 0.5A. Subject to power capabilities of PoE.
12 V RTN (GND)	Ground
SPKR -	Unused
SPKR +	Unused
INPUT 4	Contact closure to ground (12 V RTN). Connect a Volume Button or SNMP Variable/Trap contact using <i>Input 4</i> and 12 V RTN (GND).
RELAY 1: NO	Isolated dry contact closure. Normally Open.
RELAY 1: COM	Isolated dry contact closure. Common.
RELAY 1: NC	Isolated dry contact closure. Normally Closed.
LINE OUT +	Consumer line input level (-10dBV)
LINE OUT -	Consumer line input level (-10dBV)
LED 1	Unused
LED 2	Unused
INPUT 1	Contact closure to ground (12 V RTN). Connect a Panic/Call Button using <i>Input 1</i> and 12 V RTN (GND).
INPUT 2	Contact closure to ground (12 V RTN). Connect a Volume Button or SNMP Variable/Trap contact using <i>Input 2</i> and 12 V RTN (GND).
INPUT 3	Contact closure to ground (12 V RTN). Connect a Volume Button or SNMP Variable/Trap contact using <i>Input 3</i> and 12 V RTN (GND).
RELAY 2: NO	Isolated dry contact closure. Normally Open.
RELAY 2: COM	Isolated dry contact closure. Common.
RELAY 2: NC	Isolated dry contact closure. Normally Closed.