



Outdoor Extension Speaker

Model No: WL-SPKR-OF-A


Description

Wahsega's Outdoor Extension Speaker extends audio coverage by connecting to a primary Outdoor IP Speaker (up 20m cable length).

This outdoor speaker is robust and weatherproof, providing crystal clear audio broadcast announcements in extreme weather conditions. Speaker angle can be set specifically for your application.

Key Features

- Connects to a primary speaker (required)
- PoE 802.3af enabled (Power-over-Ethernet)
- Weatherproof housing: IP65
- Industry-leading low standby power
- Remote firmware upgradeable
- Simple installation with bracket
- Onboard relay
- Powered by a primary Outdoor IP Speaker up to 20m away via Cat5e or Cat6

| | | |
|-----------|-------|---|
| Job Name: | Date: | Location: |
| Notes: | |  |


Model No: WL-SPKR-OF-A

Specifications

- Ethernet: 10/100 Mbps
- Power Input: PoE (IEEE 802.3af)
- Standby power: <~0 Watts
- Nominal Frequency response: 200Hz – 12kHz
- Speaker Sensitivity: 106dB 375hz – 8kHz +-5dB 1W/1M
- Peak output 116dB @ 1M
- Speaker Distortion < 0.3% 375Hz – 10kHz 1W/1M
- Max Extension Speaker Cable Length (Cat5e or Cat6): 20m
- Temperature Range: -40°C to +60°C
- FCC Class A
- Weight: 4.5 lb
- Dimensions: 17.08" W x 13.03" H x 14.96" D with mounting bracket
- UV-Resistant ASA plastic – [UL Certified E108538](#)
- Warranty: 3 years limited

Compatibility

Connect to an Outdoor IP Speaker (Primary)
Model Number: WL-SPKR-OF-CAR or WL-SPKR-OF-INF

| | | |
|-----------|-------|---|
| Job Name: | Date: | Location: |
| Notes: | |  |

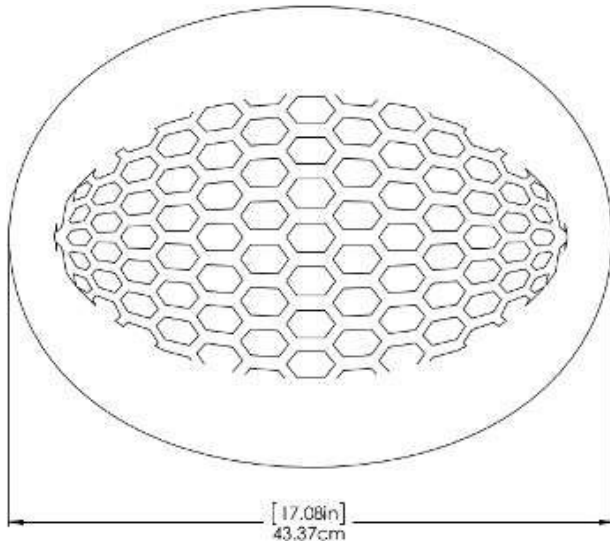
Outdoor IP Speaker

Specification Submittal

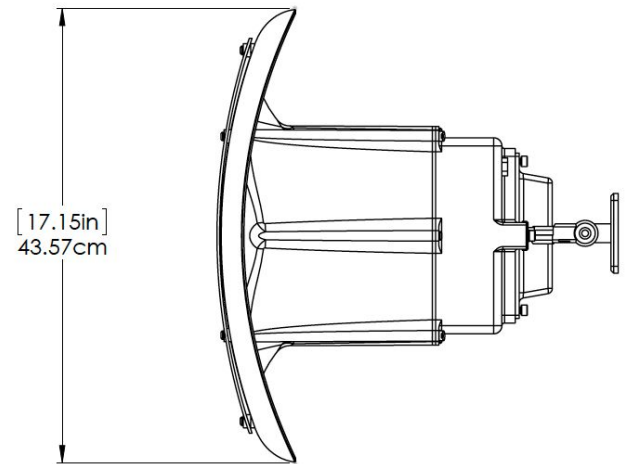
Model No: WL-SPKR-OF-A

Dimensions

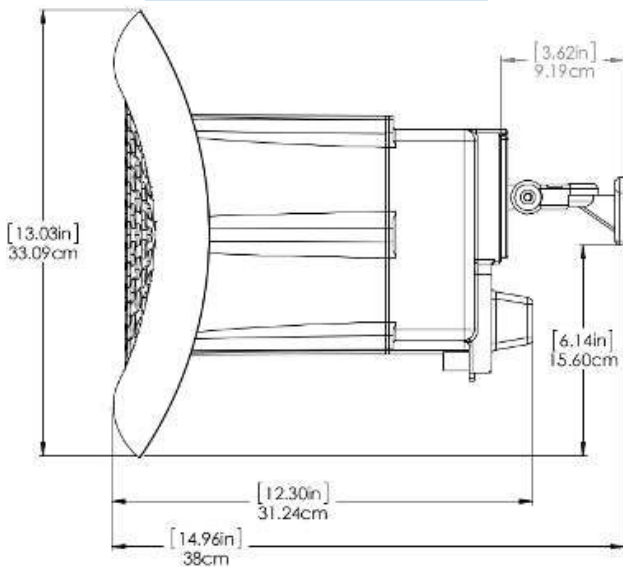
Front View



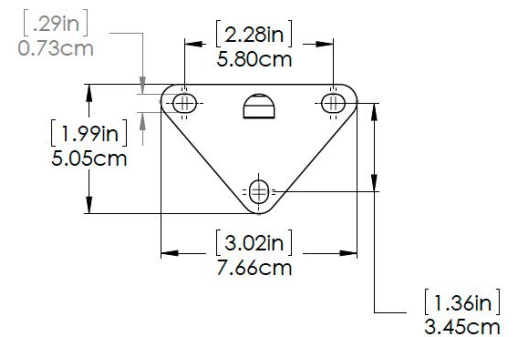
Top View



Side View



Mounting Bracket



Job Name:

Date:

Location:

Notes:

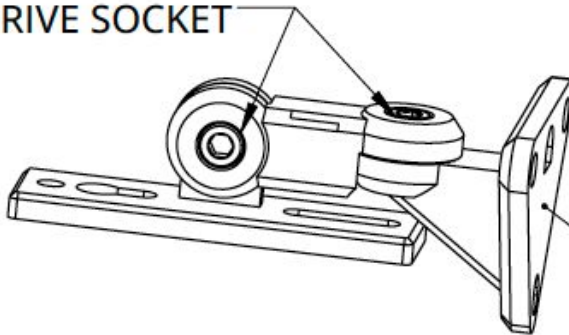


Model No: WL-SPKR-OF-A

Installation

Fully adjustable, steel surface-mount wall bracket and hardware for mounting speaker to bracket are included. Install at three connection points, using anchors appropriate for your wall surface. Power-over-Ethernet (PoE) 802.3af power supplied via Cat5e or Cat6 cabling.

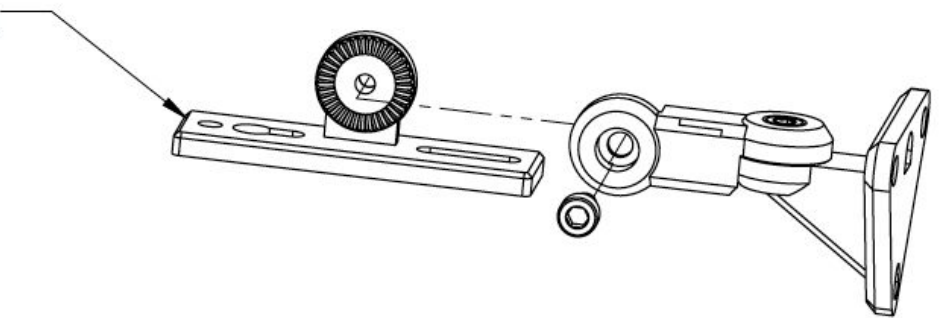
5 MM HEX DRIVE SOCKET




BASE MOUNTS TO WALL WITH APPROPRIATE ANCHORS

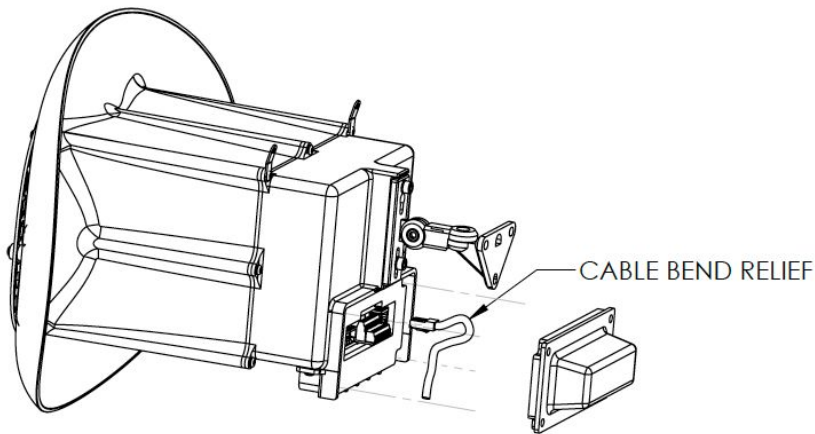
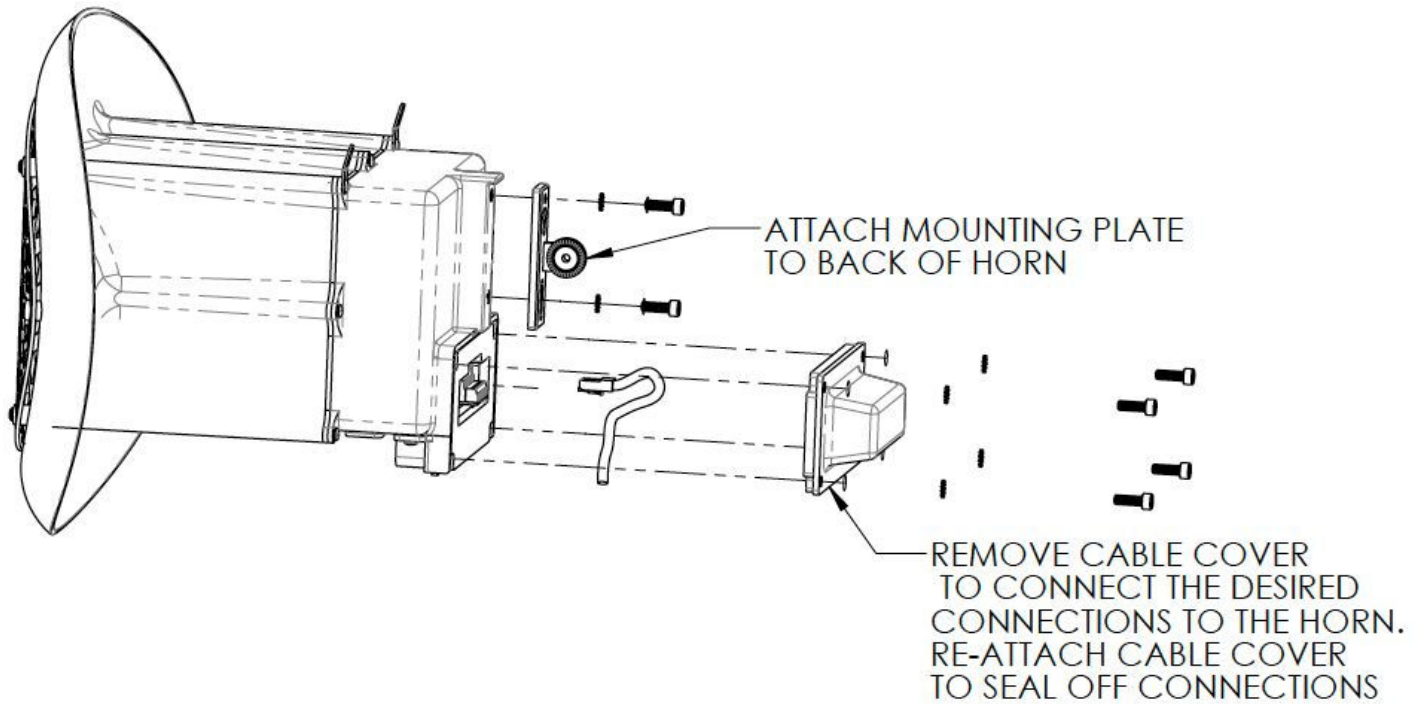
LOOSEN SCREWS TO SET ANGLE


REMOVE MOUNTING PLATE
PRIOR TO INSTALLING
MOUNTING BRACKET ON WALL



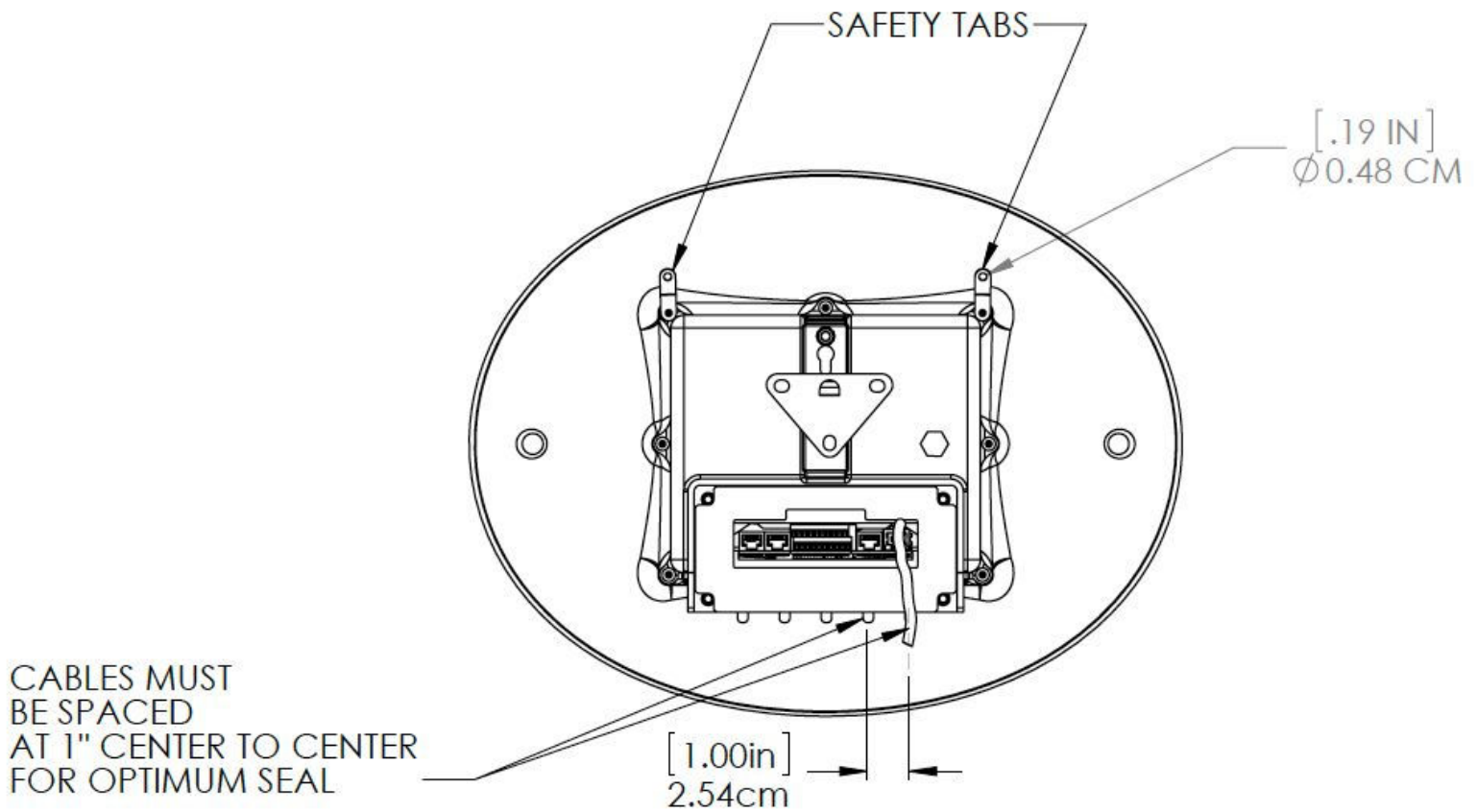
| | | |
|-----------|-------|---|
| Job Name: | Date: | Location: |
| Notes: | |  |


Installation (continued)



| | | |
|-----------|-------|---|
| Job Name: | Date: | Location: |
| Notes: | |  |

Installation (continued)

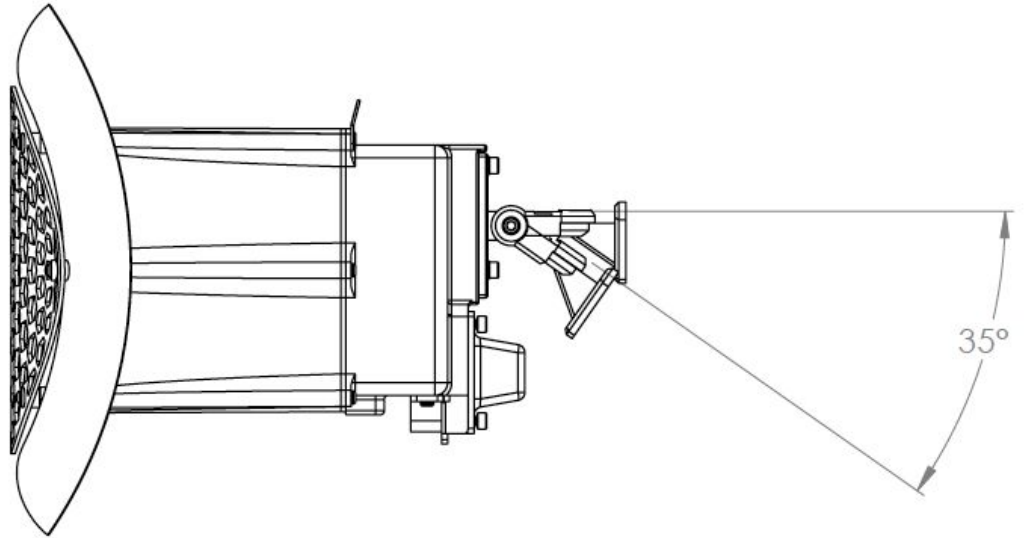


| | | |
|-----------|-------|---|
| Job Name: | Date: | Location: |
| Notes: | |  |

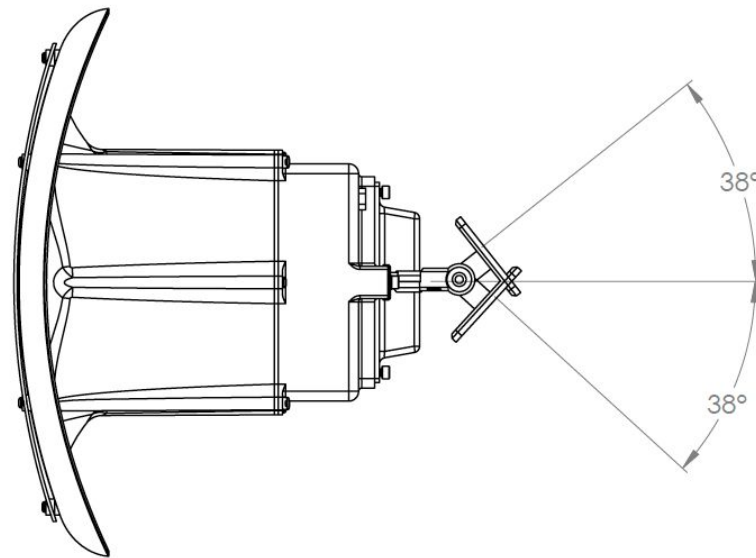
Model No: WL-SPKR-OF-A

Angle Range

Side View



Top View



Job Name:

Date:

Location:

Notes:

