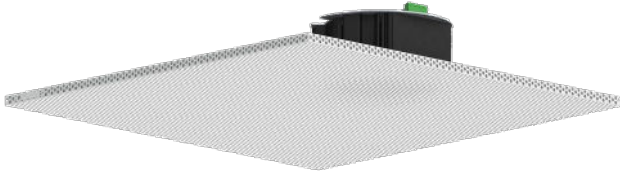


Second Room 2x2 Ceiling IP Speaker (2R)

Model No: WL-SPKR-22-2R



Description


The 2x2 IP Ceiling Speaker connects to a Wahsega Primary Speaker, allowing buildings to cover two distinct audio zones using only one PoE drop. The Second Room Speaker receives all of its data and power from its connected Primary Speaker, and yet it can be registered as a separate SIP account and separate audio zone, appearing to the end user to be completely independent. All programming is configured at the Primary Speaker.

The Second Room Speaker can have its own Call/Panic Button input, Sound Reinforcement Panel input, microphone, and relays. It may be installed within twenty meters of its connected Primary speaker.

This Second Room Speaker may be used with Wahsega Wall-Mount or Ceiling-Mount speakers from any Wahsega speaker product family, including SIP, InformaCast and Carina. The Second Room Speaker is not a standalone device.

Key Features

- Powered by and connected to a Wahsega primary speaker
- Industry-leading low standby power
- Fully configurable via Primary Speaker on Carina or InformaCast
- QR code label for easy MAC address ID
- Simple 2x2 grid lay-in ceiling installation
- Standard earthquake tabs for stability
- Integrated status LED
- Integrated microphone
- Two onboard relays for door control
- Compatible with standard call buttons
- Web-based mic and speaker volume control
- RJ45 connections for simplified installation
- Available microphone kit
- Available sound reinforcement panel

Job Name:	Date:	Location:
Notes:		

Second Room 2x2 Ceiling IP Speaker (2R)

Model No: WL-SPKR-22-2R

Specification Submittal

Specifications

- Ethernet: 10/100 Mbps
- Power Input: PoE 802.3af
- Standby power: <2 Watts
- Protocol: SIP RFC 3261 compatible
- Audio Codecs: 16-bit PCM (uncompressed), u-law (G.711u), a-law (G.711a), G.722, G.729
- Audio Sampling: 8 kHz, 16 kHz, or 32 kHz
- Speaker Drive Capabilities: 5W
- Speaker Impedance: 8Ω
- Speaker Sensitivity: 96dB 1W/0.5M SPL
- Coverage Angle: 120° / 4 kHz
- Dry Contact Relay Rating: 2A min, 250V AC, 24V DC
- Max PoE Cable Length: 100m (per standard) PoE 10/100 cable length
- Max Auxiliary Speaker Cable Length (Cat5e or Cat6): 20m
- Temperature Range: -40°C to +60°C
- Dimensions: 24" x 24" x 4.44"
- Construction: 24-gauge steel housing with white polyester powdercoat paint
- Warranty: 3 years limited

Installation

Standard 2x2 lay-in mounting with earthquake tabs for added stability. Power supplied via Power-over-Ethernet (PoE 802.3af).


Compatibility

Primary Speakers

- 2x2 Ceiling IP Speaker - WL-SPKR-22-CAR
- Wall Mount IP Speaker - WL-SPKR-SMT-CAR
- 2x2 Ceiling IP Speaker (InformaCast) - WL-SPKR-22-INF
- Wall Mount IP Speaker (InformaCast) - WL-SPKR-SMT-INF

Accessories

- Teacher Mic Kit - WL-MIC-WIR-KIT-1-CAR
- Sound Reinforcement Panel - WL-SPKR-RSR-W
- Call / Panic Button - WL-SPKR-RB-W

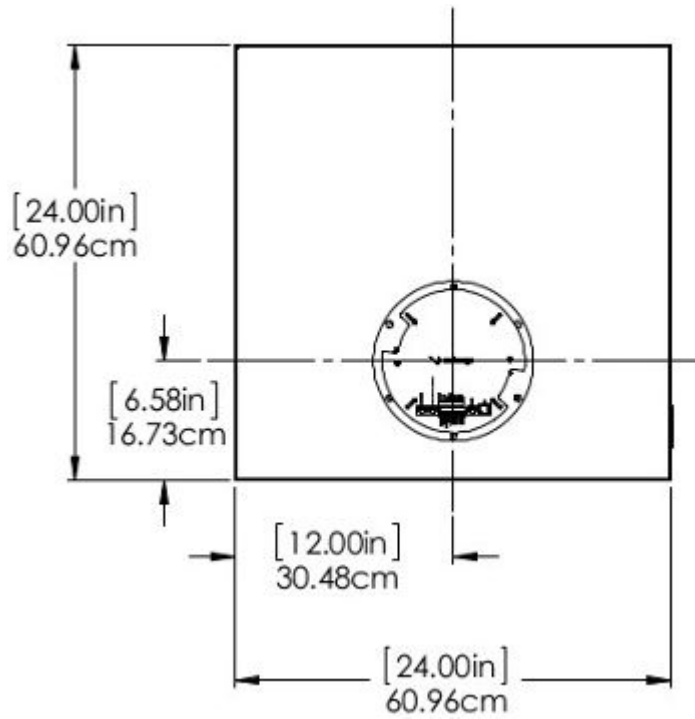
Job Name:	Date:	Location:
Notes:		

Second Room 2x2 Ceiling IP Speaker (2R)

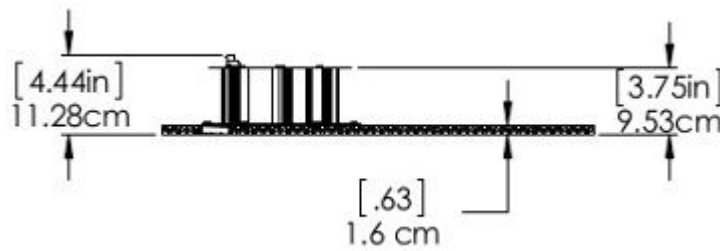
Model No: WL-SPKR-22-2R

Specification Submittal


Dimensions



Length and Width



Ceiling Depth

Job Name:	Date:	Location:
Notes:		

Second Room 2x2 Ceiling IP Speaker (2R)

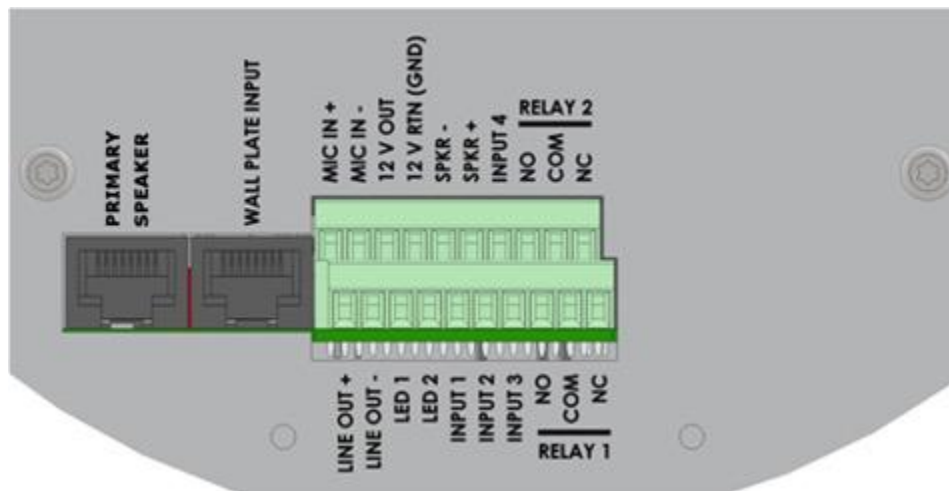
Model No: WL-SPKR-22-2R


Specification Submittal

Connections



Magnified Area



Job Name:	Date:	Location:
Notes:		

Second Room 2x2 Ceiling IP Speaker (2R)

Model No: WL-SPKR-22-2R

Specification Submittal

Terminal Blocks

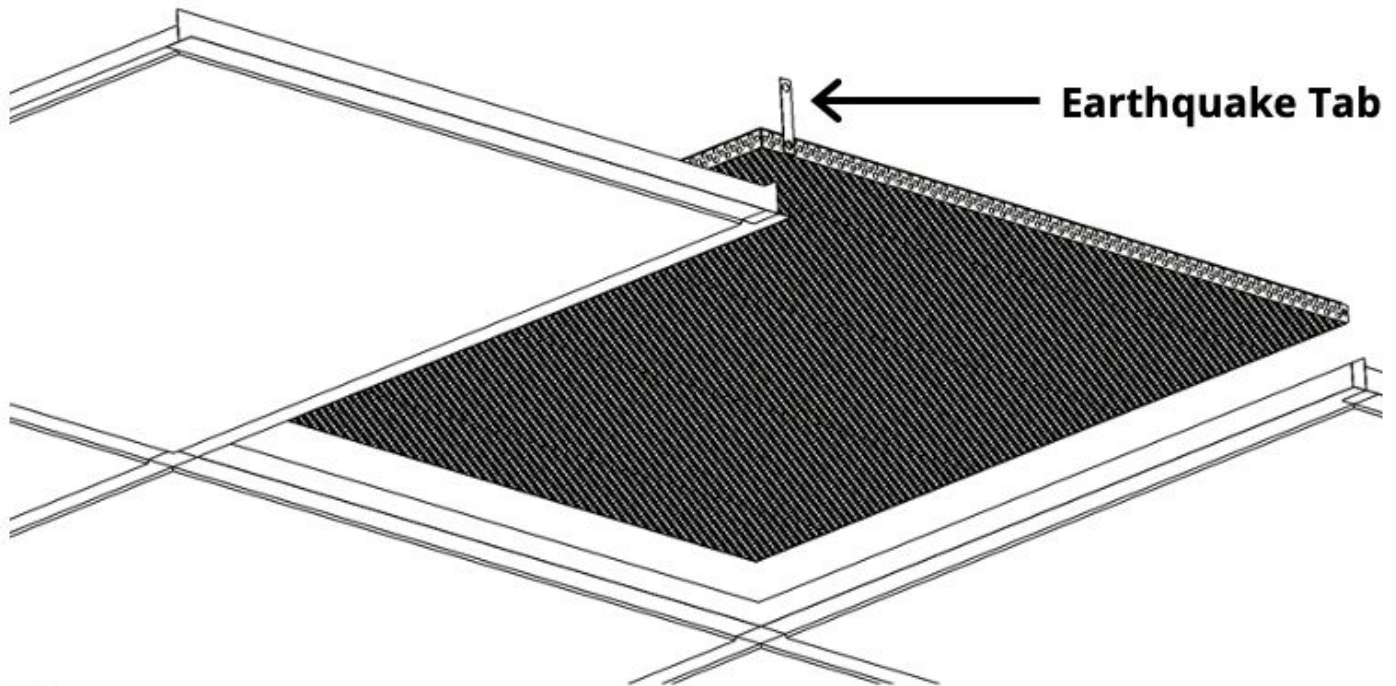
MIC IN +	Unused
MIC IN -	Unused
12 V OUT	Fused, nominal 12V output, max 0.5A. Subject to power capabilities of PoE.
12 V RTN (GND)	Ground
SPKR -	Unused
SPKR +	Unused
INPUT 4	Contact closure to ground (12 V RTN). Connect a Volume Button or SNMP Variable/Trap contact using <i>Input 4</i> and 12 V RTN (GND).
RELAY 1: NO	Isolated dry contact closure. Normally Open.
RELAY 1: COM	Isolated dry contact closure. Common.
RELAY 1: NC	Isolated dry contact closure. Normally Closed.
LINE OUT +	Consumer line input level (-10dBV)
LINE OUT -	Consumer line input level (-10dBV)
LED 1	Unused
LED 2	Unused
INPUT 1	Contact closure to ground (12 V RTN). Connect a Panic/Call Button using <i>Input 1</i> and 12 V RTN (GND).
INPUT 2	Contact closure to ground (12 V RTN). Connect a Volume Button or SNMP Variable/Trap contact using <i>Input 2</i> and 12 V RTN (GND).
INPUT 3	Contact closure to ground (12 V RTN). Connect a Volume Button or SNMP Variable/Trap contact using <i>Input 3</i> and 12 V RTN (GND).
RELAY 2: NO	Isolated dry contact closure. Normally Open.
RELAY 2: COM	Isolated dry contact closure. Common.
RELAY 2: NC	Isolated dry contact closure. Normally Closed.

Second Room 2x2 Ceiling IP Speaker (2R)

Model No: WL-SPKR-22-2R

Specification Submittal

Installation



1. Lift earthquake tabs until perpendicular to the speaker frame.
2. Carefully angle and lift speaker and place into ceiling grid.
3. Ensure wires and cables are properly connected.
4. Attach earthquake tabs to secure speaker to structure per local building and electrical codes.

Cat 5e or Cat 6 Ethernet Cable to PoE →

