



Student Microphone

Model No:


WL-MIC-WIR-BL-CAR

Description

The Carina Wireless Student Microphone is an add-on to the Carina Wireless Teacher Microphone Kit. The student microphone enables students to ask questions that are then also projected through the classroom's PA system. This comprehensive solution aims to elevate the auditory experience in educational settings, ensuring that both teachers and students are heard loud and clear.

Key Features

- Wireless microphone with mute button
- Hand-held wireless microphone
- Volume up and down controls
- Works with the Teacher Mic Kit
- Rechargeable battery with convenient charging cradle

Job Name:	Date:	Location:
Notes:		

Model No: WL-MIC-WIR-BL-CAR

Specifications

- Temperature Range: -40°C to +60°C
- Warranty: 3 years limited

Carina Wireless Microphone in Black

- Model No: WL-MIC-WIR-BL-CAR
- Weight: 75 grams
- Construction: Anodized aluminum with white ASA plastic

Carina Wireless Microphone Charging Dock

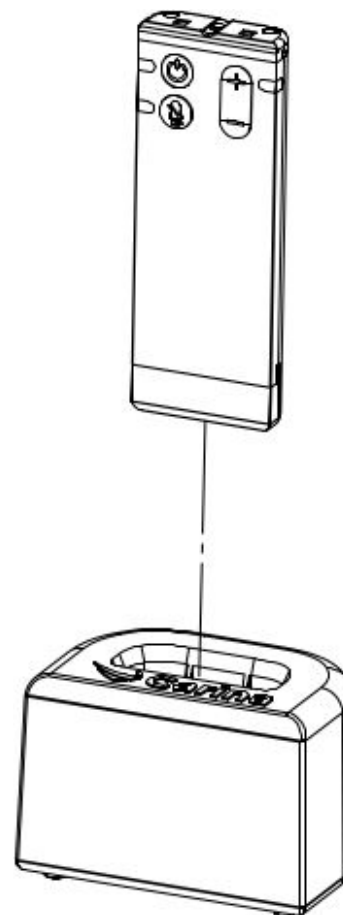
- Model No: WL-MIC-WIR-CD-CAR
- Weight: 79 grams
- Construction: White ASA plastic

Compatibility


The Student Microphone is compatible with the Carina Teacher Mic Kit - WL-MIC-WIR-KIT-1-CAR

Installation

1. Connect the charging cradle to the AC adapter. Plug the AC Adapter to a 110v outlet.
2. Charge the wireless microphone in the charging cradle.
3. When charging is complete, pair the microphone. [Video tutorial](https://bit.ly/carinamicpairing) available at bit.ly/carinamicpairing

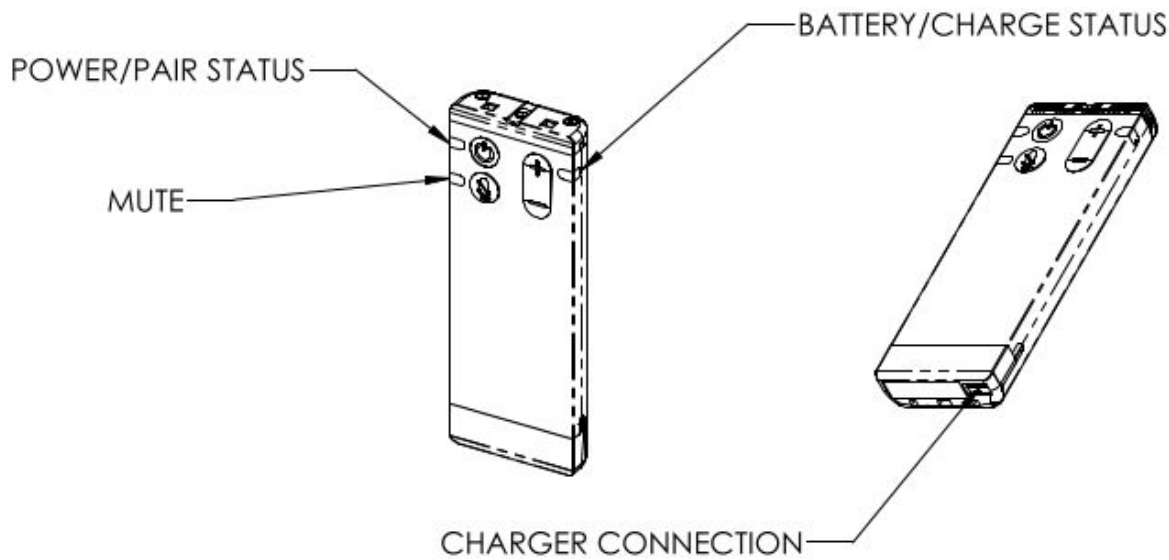
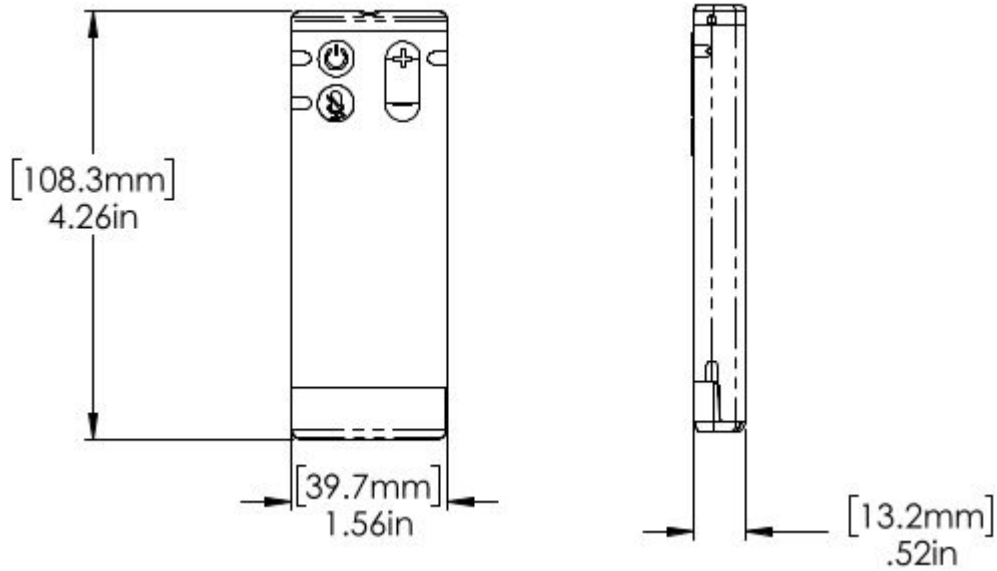


Insert microphone into powered cradle to charge

Job Name:	Date:	Location:
Notes:		

Carina Wireless Microphone in Black

Dimensions



Job Name:	Date:	Location:
Notes:		