

Surface Mount Extension Speaker



Description

The Surface Mount Extension Speaker works in conjunction with a Wahsega Primary Speaker or Wahsega IP display to increase single-room audio coverage without the need for a second PoE cable run.

This Extension Speaker may be used with Wahsega primary Wall-Mount, Ceiling-Mount and IP Display speakers from any Wahsega product family, including Carina and InformaCast. The Extension Speaker is not a standalone speaker.

All audio and data is provided from the primary speaker, and all programming is configured through the primary speaker or display. Once the primary speaker or display is properly programmed, this speaker will play the same audio as the primary speaker or display to which it is connected.

Features

- PoE provided by primary speaker
- Industry-low standby power consumption
- Simple wall mount installation
- Integrated status LED
- Web-based speaker volume control
- RJ45 connection for simplified installation

Job Name:

Model Numbers:

Date:

Location:

Notes:

Specifications

- Powered by Wahsega Primary Speaker (required)
- Standby power: <2 Watts
- Speaker Drive Capabilities: 5W
- Speaker Impedance: 8Ω
- Speaker Sensitivity: 96dB 1W/1M SPL
- Coverage Angle: 120° / 4 kHz
- Max Cat5e or Cat6 Cable distance to Primary Speaker: 20m
- Temperature Range: -40°C to +60°C
- Dimensions: 10" x 10" x 5"
- Construction: Black extruded aluminum housing with white plastic faceplate
- Warranty: 2 years limited

Model Numbers

WL-SPKR-SMT-A

Wahsega Labs	Speaker	Mount	Functionality
WL	SPKR	SMT	A
Wahsega Labs	Speaker	Surface Mount	A = Extension 2R = Second Room

Installation

Simple, surface mount wall installation. Cable routes directly to speaker via side raceway or through rear bracket to side panel cutout. Power and data supplied via Cat5e or Cat6 connection from Wahsega primary speaker. Only one secondary speaker (WL-SPKR-xx-A or WL-SPKR-xx-2R) per Wahsega primary speaker.

Compatibility

WL-SPKR-SMT-CAR
WL-SPKR-SMT-INF
WL-SPKR-SMT-CAR-2CH
WL-SPKR-SMT-INF-2CH

WL-SPKR-22-CAR
WL-SPKR-22-INF
WL-SPKR-22-CAR-2CH
WL-SPKR-22-INF-2CH

WL-IPD-SPKR-510-CAR
WL-IPD-SPKR-510-INF
WL-IPD-SPKR-510-CAR-2CH
WL-IPD-SPKR-510-INF-2CH

WL-IPD-SPKR-520-CAR
WL-IPD-SPKR-520-INF
WL-IPD-SPKR-540-CAR
WL-IPD-SPKR-540-INF

Job Name:

Model Numbers:

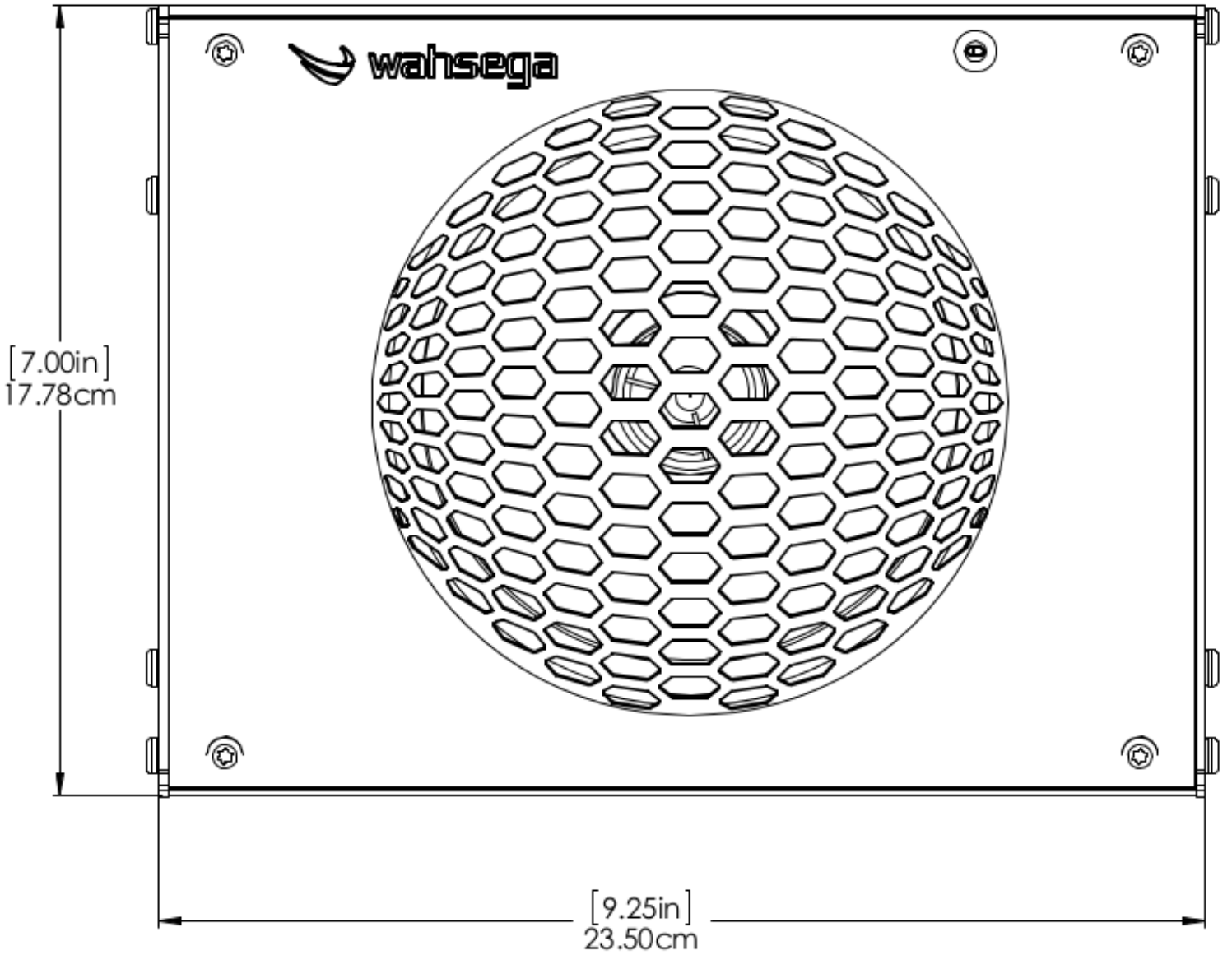
Date:

Location:

Notes:

Dimensions

Front View



Job Name:

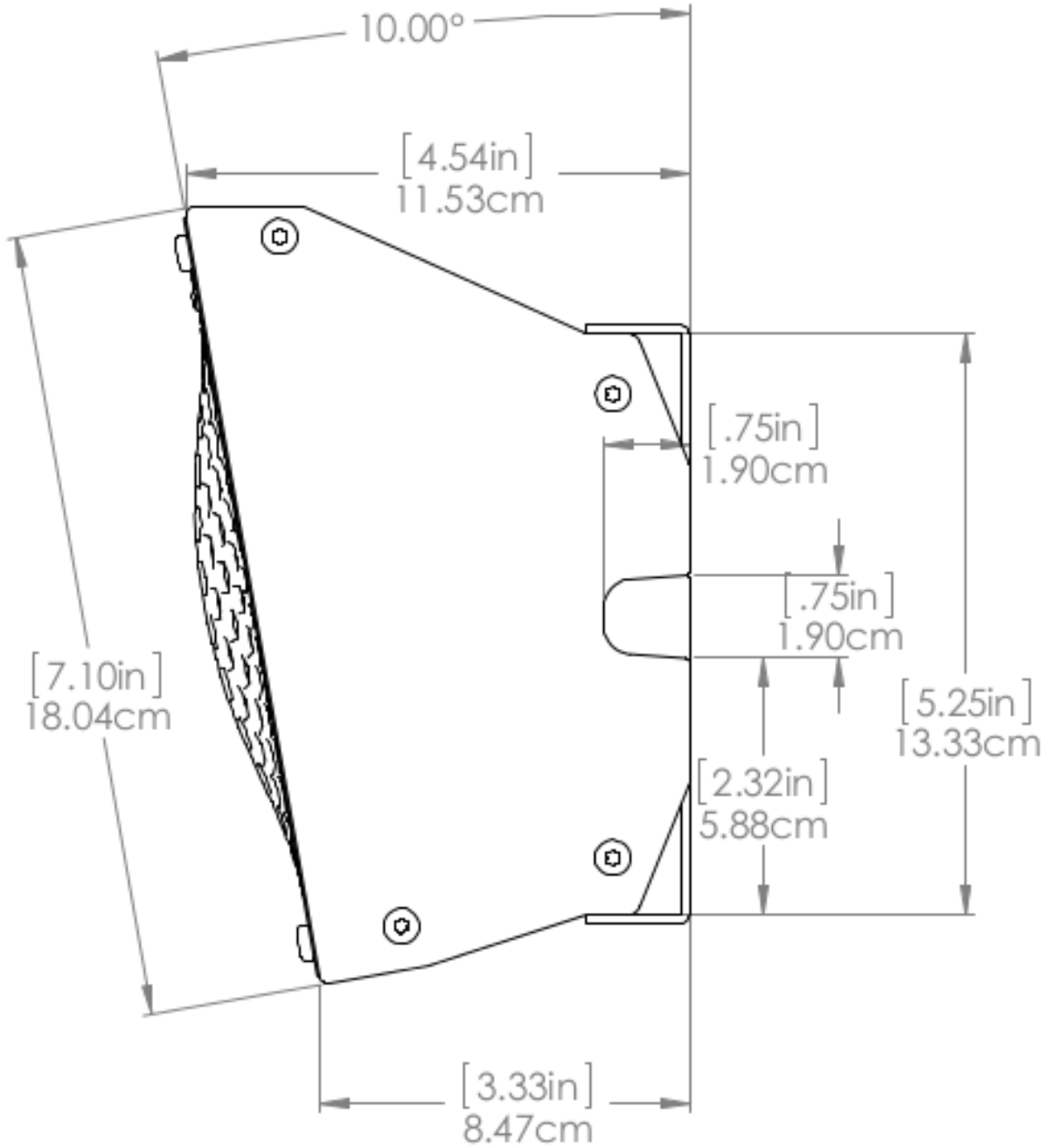
Model Numbers:

Date:

Location:

Notes:

Side View
With Bracket



Job Name:

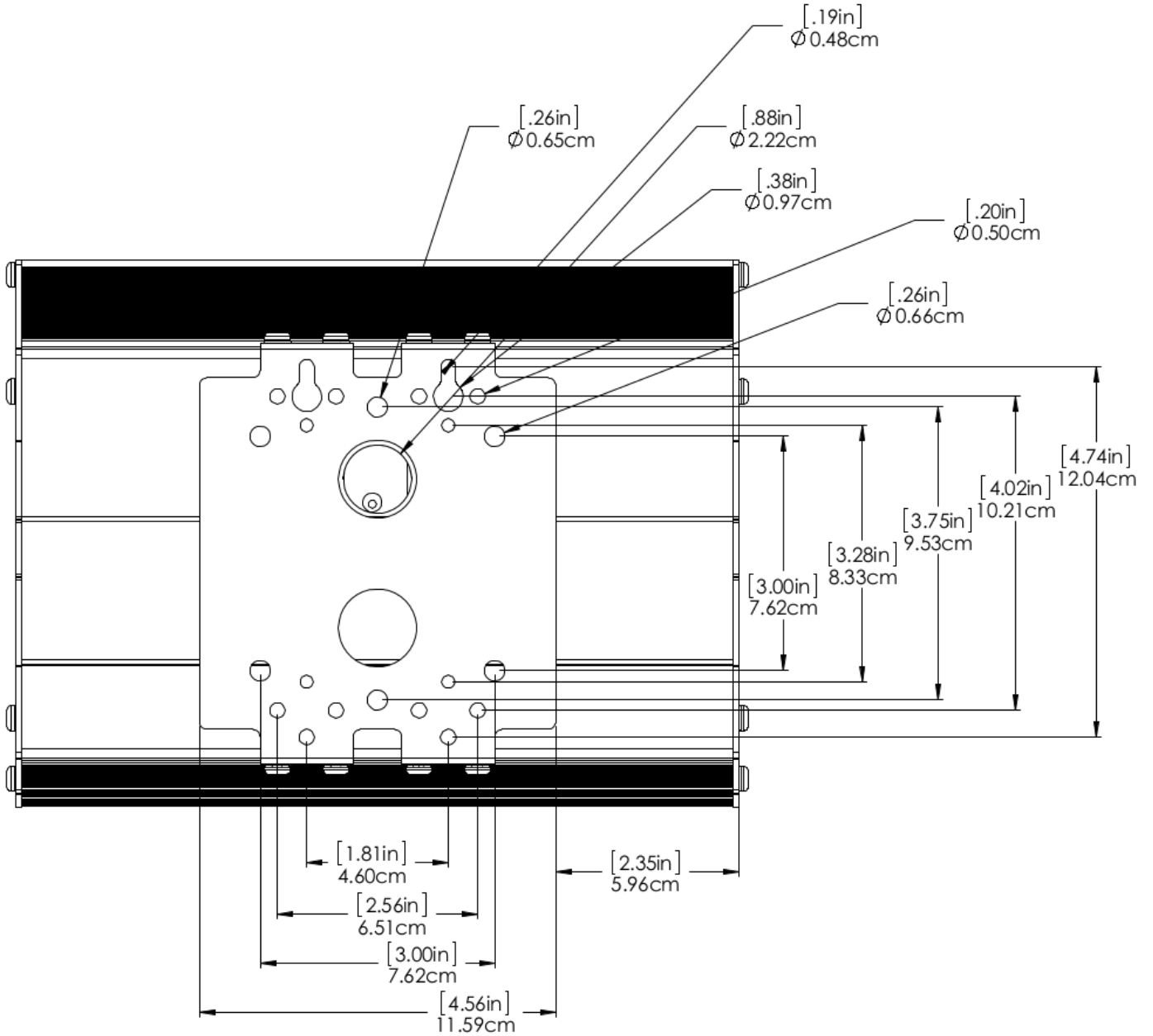
Model Numbers:

Date:

Location:

Notes:

Rear View
With Bracket



Job Name:

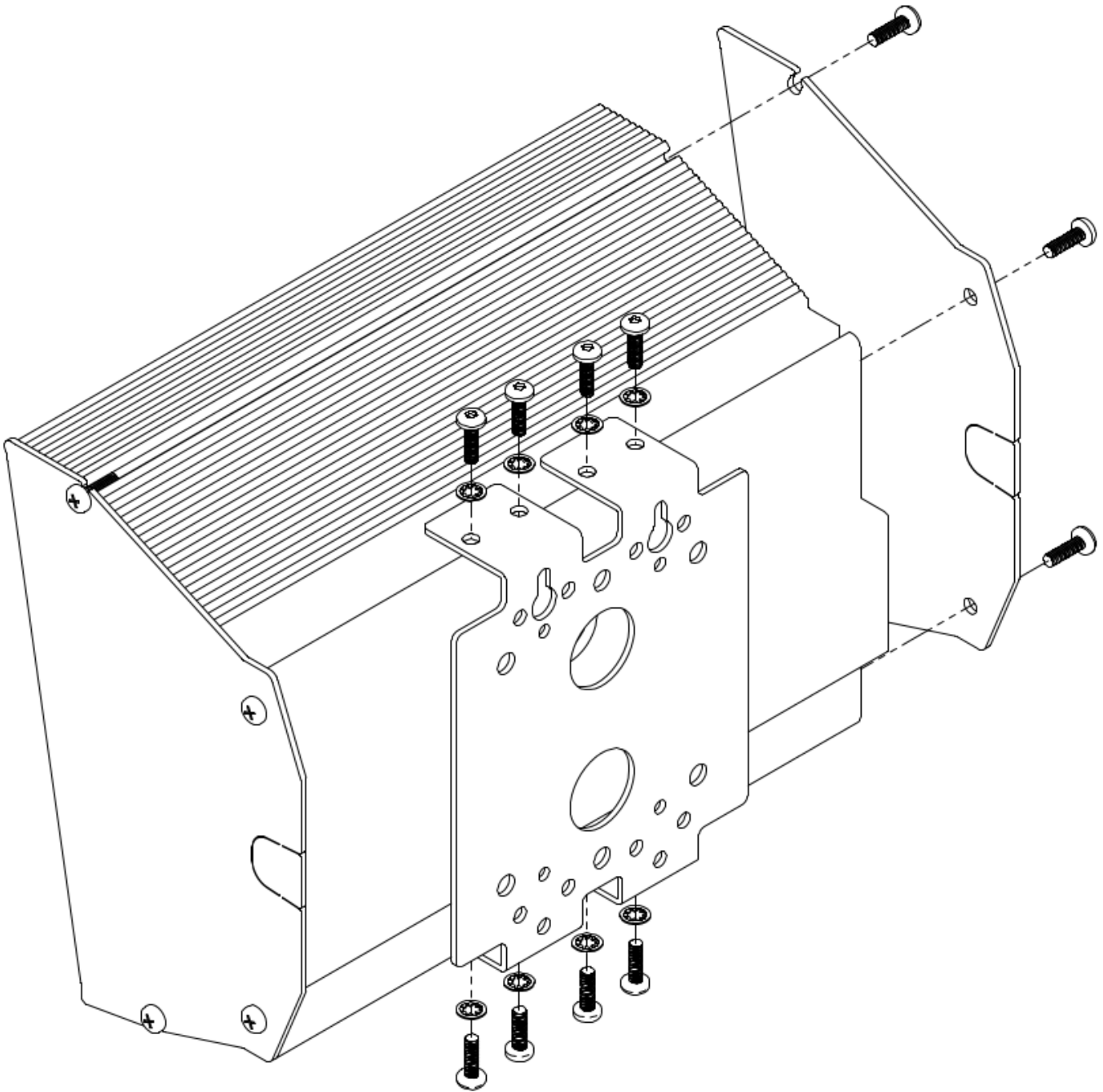
Model Numbers:

Date:

Location:

Notes:

Installation View
with Bracket



Job Name:

Model Numbers:

Date:

Location:

Notes: