



## Wall Mount Extension Speaker (A)

Model No: WL-SPKR-SMT-A

### Description

The Surface Mount Extension Speaker works in conjunction with a Wahsega Primary Speaker or Wahsega IP display to increase single-room audio coverage without the need for a second PoE cable run.

This Extension Speaker may be used with Wahsega primary Wall-Mount, Ceiling-Mount and IP Display speakers from any Wahsega product family, including Carina and InformaCast. The Extension Speaker is not a standalone speaker.

All audio and data is provided from the primary speaker, and all programming is configured through the primary speaker or display. Once the primary speaker or display is properly programmed, this speaker will play the same audio as the primary speaker or display to which it is connected.

### Key Features

- Powered by and connected to a Wahsega primary speaker or Wahsega IP Display
- Industry-leading low standby power
- Simple surface-mount wall installation
- Integrated status LED

## Specifications

- Power Input: Provided by primary speaker (required)
- Standby Power: ~0W (with Primary Speaker)
- Speaker Drive Capabilities: 5W
- Speaker Impedance: 8Ω
- Speaker Sensitivity: 96dB 1W/1M SPL
- Max Cable Length: 20m Cat5e or Cat6
- Temperature Range: -40°C to +60°C
- FCC Class A
- Dimensions: 10.25" x 7.0" x 4.54"
- Weight: 4.36lb
- Construction: Construction: Black extruded aluminum housing with white plastic faceplate
- Warranty: 3 years limited

## Installation

Simple, surface mount wall installation with side raceway access for wiring. Power supplied via ethernet connection to primary speaker (up to 20 m). Do not use a crossover cable. The Second Room Wall Mount IP Speaker can mount to the front a standard 2-gang electrical back box or directly onto the wall, using the appropriate anchors for your surface material. Mounting brackets, screws, washers and lock washers are included.

## Compatibility

### Primary Speakers


- 2x2 Ceiling IP Speaker - WL-SPKR-22-CAR
- Wall Mount IP Speaker - WL-SPKR-SMT-CAR
- 2x2 Ceiling IP Speaker (InformaCast) - WL-SPKR-22-INF
- Wall Mount IP Speaker (InformaCast) - WL-SPKR-SMT-INF

### Carina IP Displays

- Small IP Display - WL-IPD-SPKR-510-CAR
- Large IP Display - WL-IPD-SPKR-520-CAR
- Extra Large IP Display - WL-IPD-SPKR-540-CAR
- Wall Mount Double Sided IP Display - WL-IPD-SPKR-510D-CAR
- Ceiling Mount Double Sided IP Display - WL-IPD-SPKR-510D-CAR-TM

### IP Displays (InformaCast)

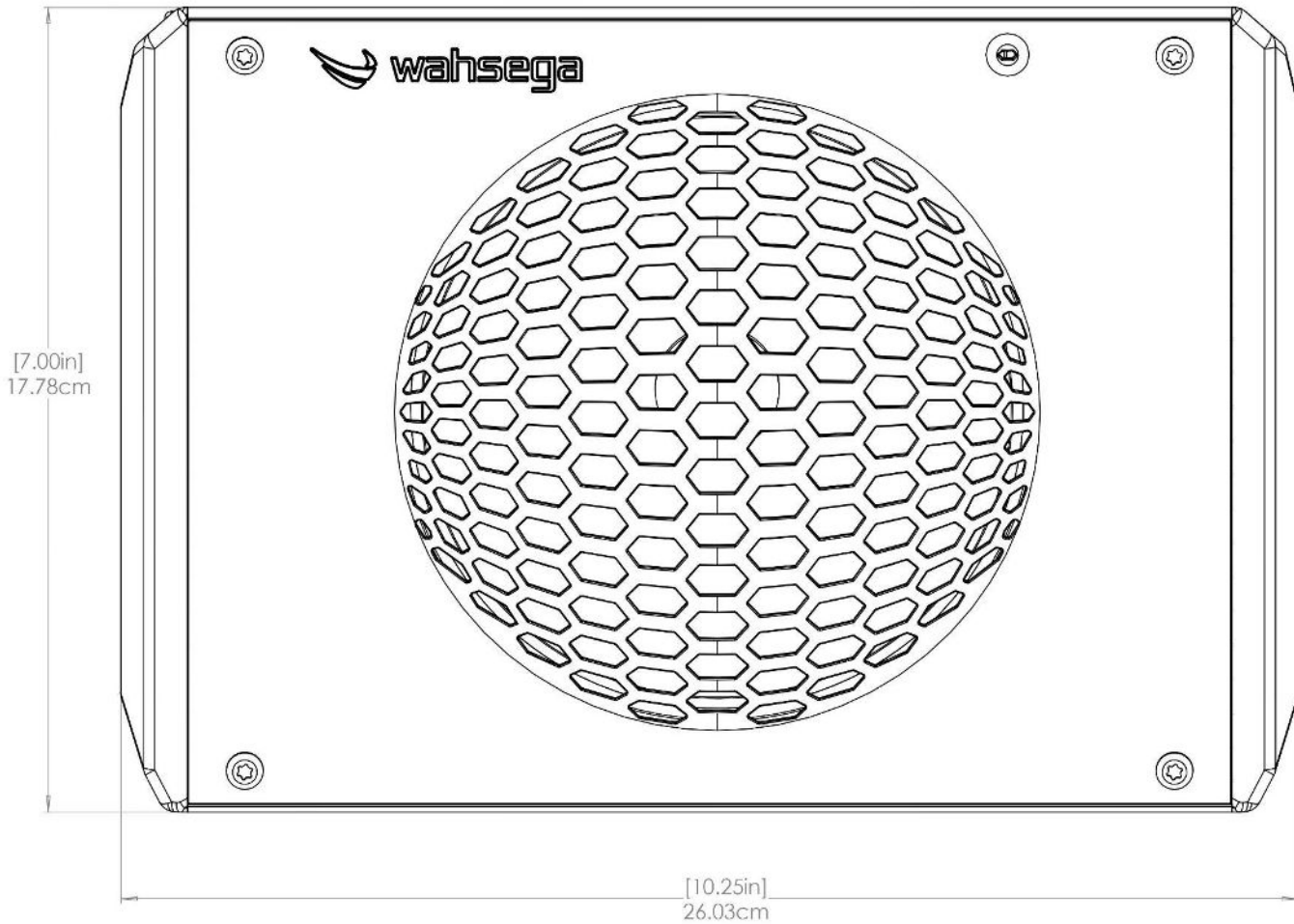
- Small IP Display - WL-IPD-SPKR-510-INF
- Large IP Display - WL-IPD-SPKR-520-INF
- Extra Large IP Display - WL-IPD-SPKR-540-INF
- Wall Mount Double Sided IP Display - WL-IPD-SPKR-510D-INF
- Ceiling Mount Double Sided IP Display - WL-IPD-SPKR-510D-INF-TM


Job Name:	Date:	Location:
Notes:		

Model No: WL-SPKR-SMT-A

## Dimensions

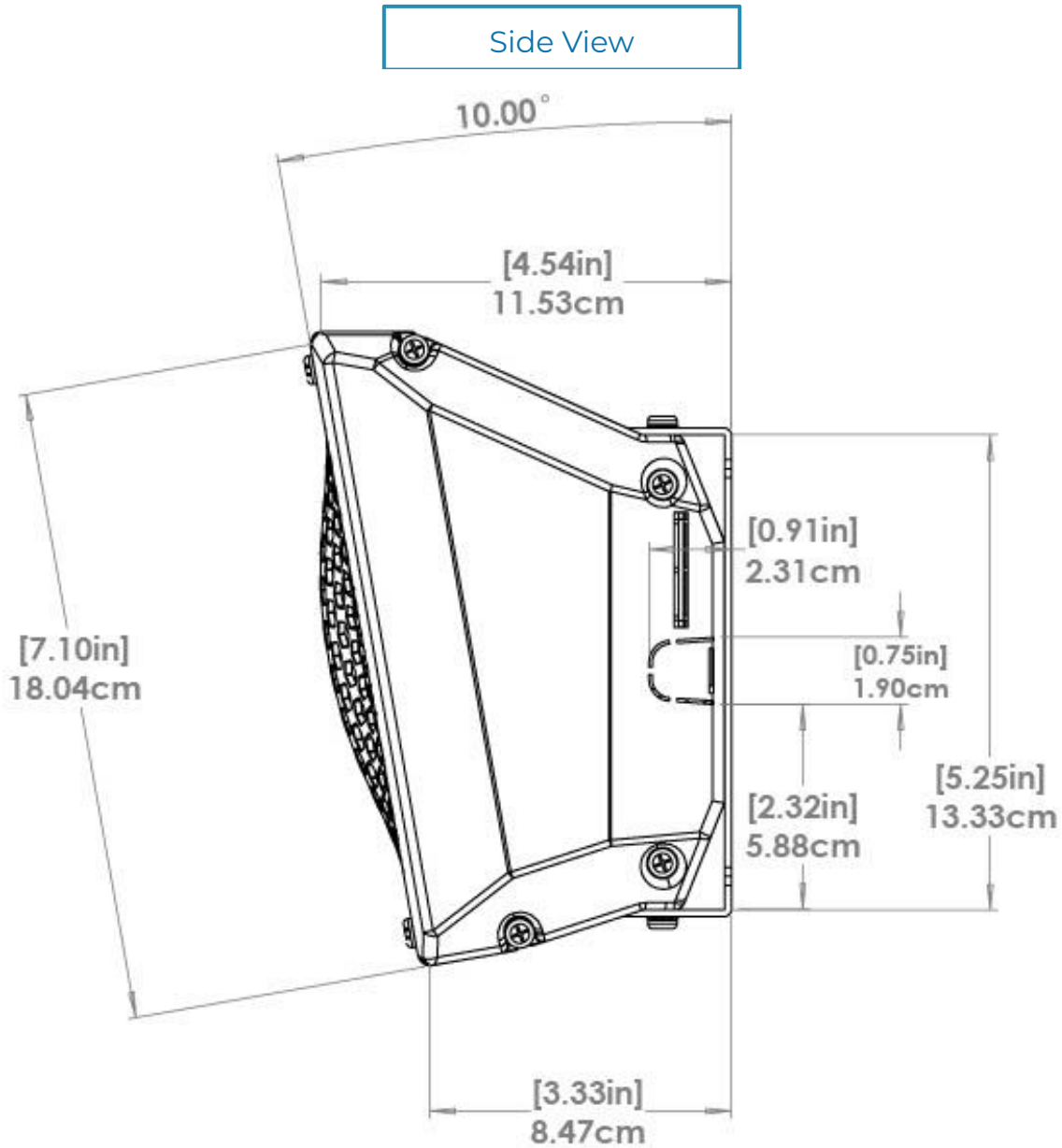
Front View




Job Name:	Date:	Location:
Notes:		

Model No: WL-SPKR-SMT-A

## Dimensions



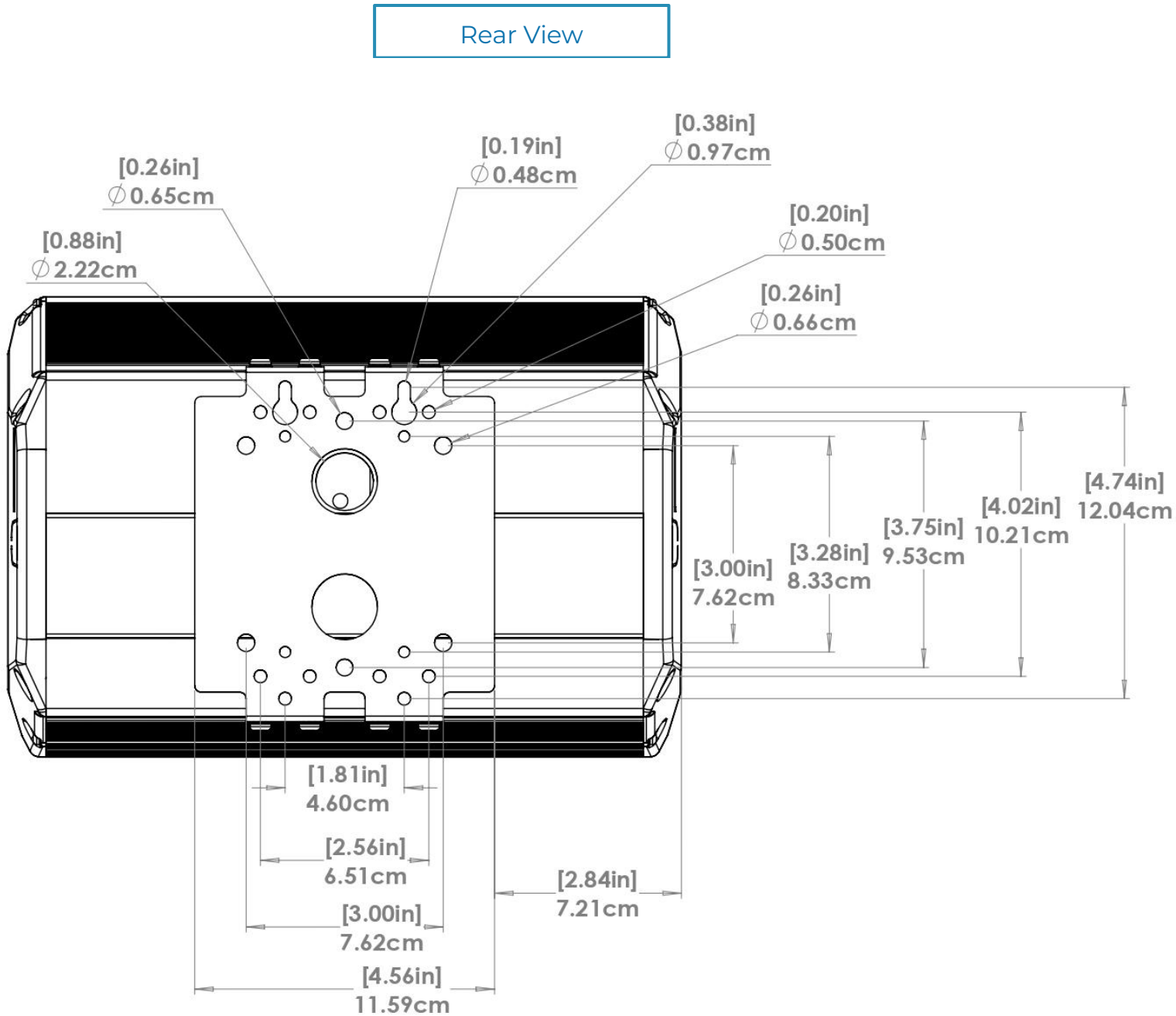
Job Name:	Date:	Location:
Notes:		


# Wall Mount Extension Speaker

## Specification Submittal

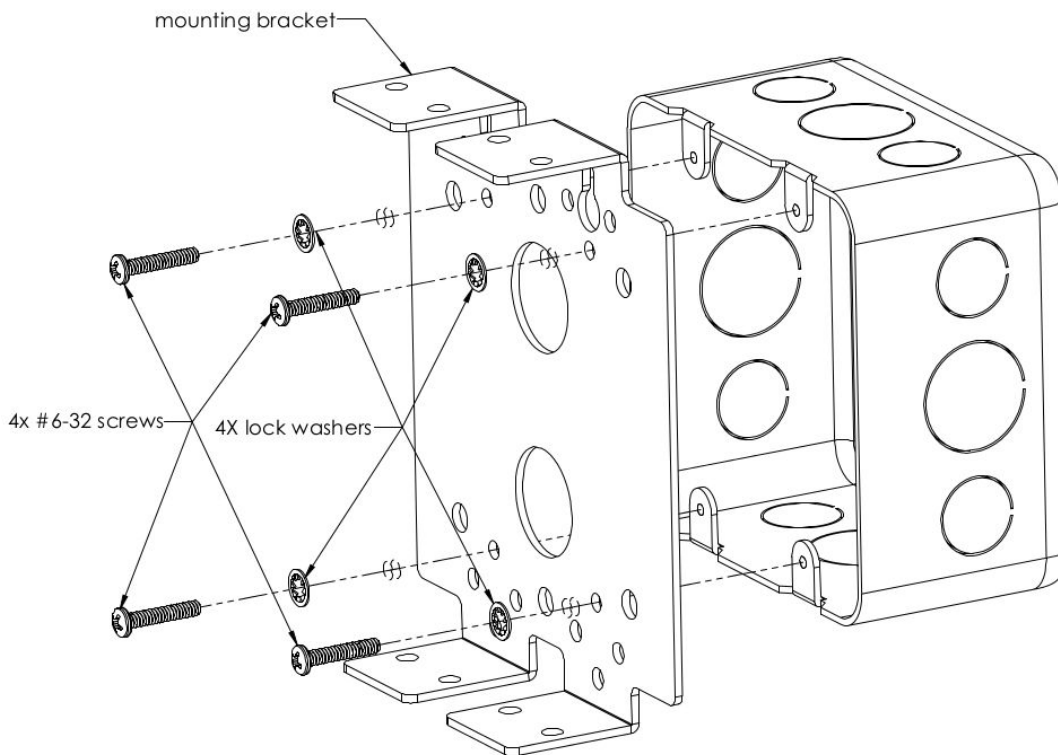
Model No: WL-SPKR-SMT-A

### Dimensions




Job Name:	Date:	Location:
Notes:		

### Mounting and Installation



Mounting Bracket

Mount included bracket to the front of a standard two-gang electrical backbox (preferred), using (4) included #6-32 screws and lock washers. If mounting bracket to a solid surface rather than to an electrical backbox, use the appropriate bolts and anchors for that surface.

Job Name:	Date:	Location:
Notes:		

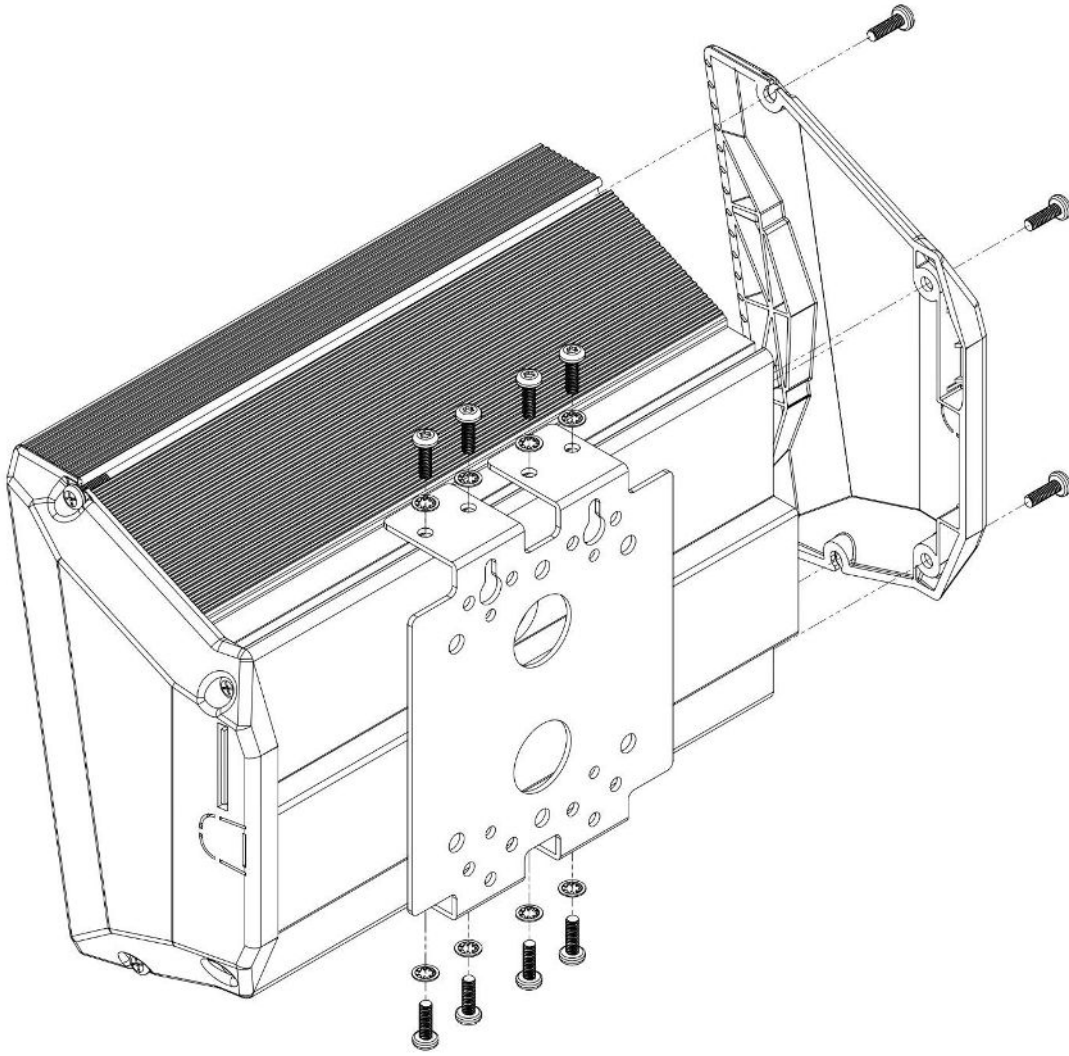
# Wall Mount Extension Speaker


Model No: WL-SPKR-SMT-A

## Installation

Please see cable routing installation video here - [https://bit.ly/SMT-Cable Installation](https://bit.ly/SMT-Cable%20Installation)

Attach speaker to bracket using included (8) #8-32 screws and washers.



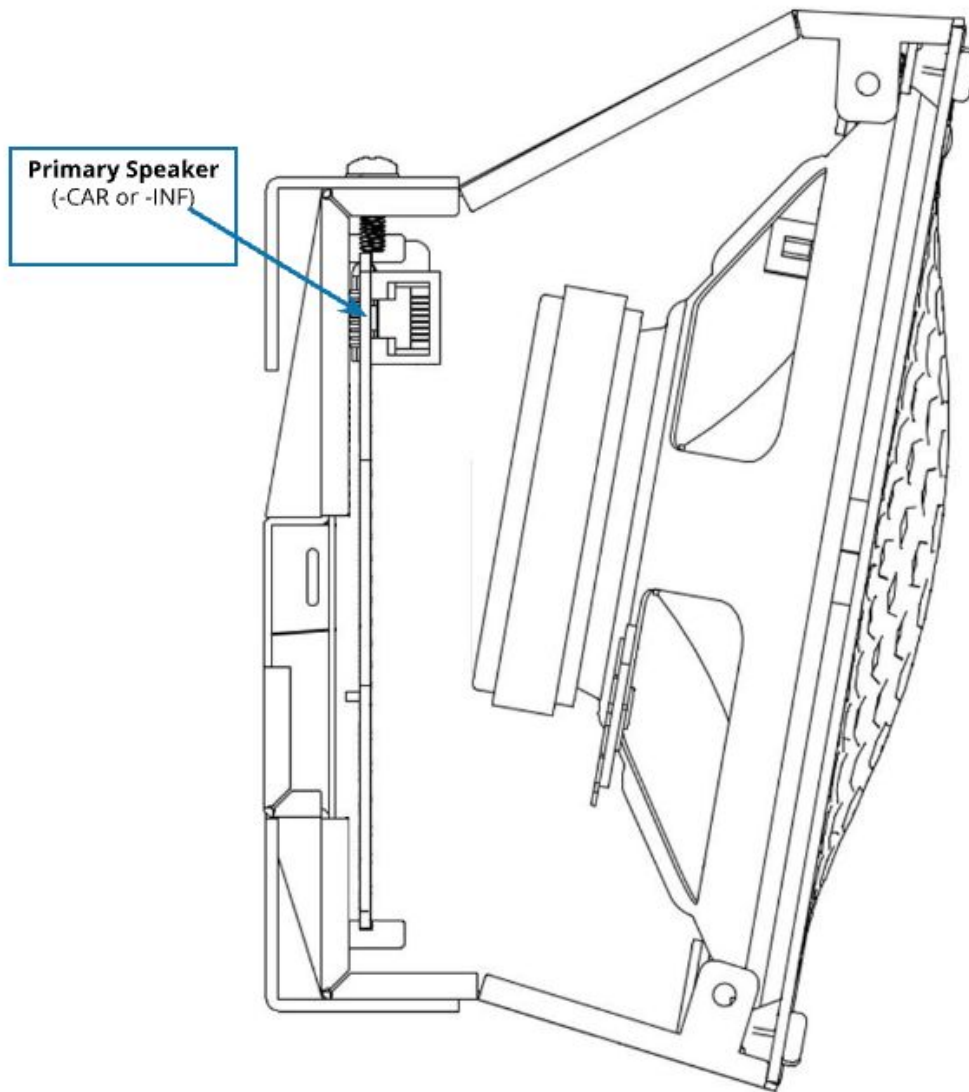
Job Name:	Date:	Location:
Notes:		

# Wall Mount Extension Speaker

Specification Submittal

Model No: WL-SPKR-SMT-A

## Wiring Diagram



Job Name:	Date:	Location:
Notes:		